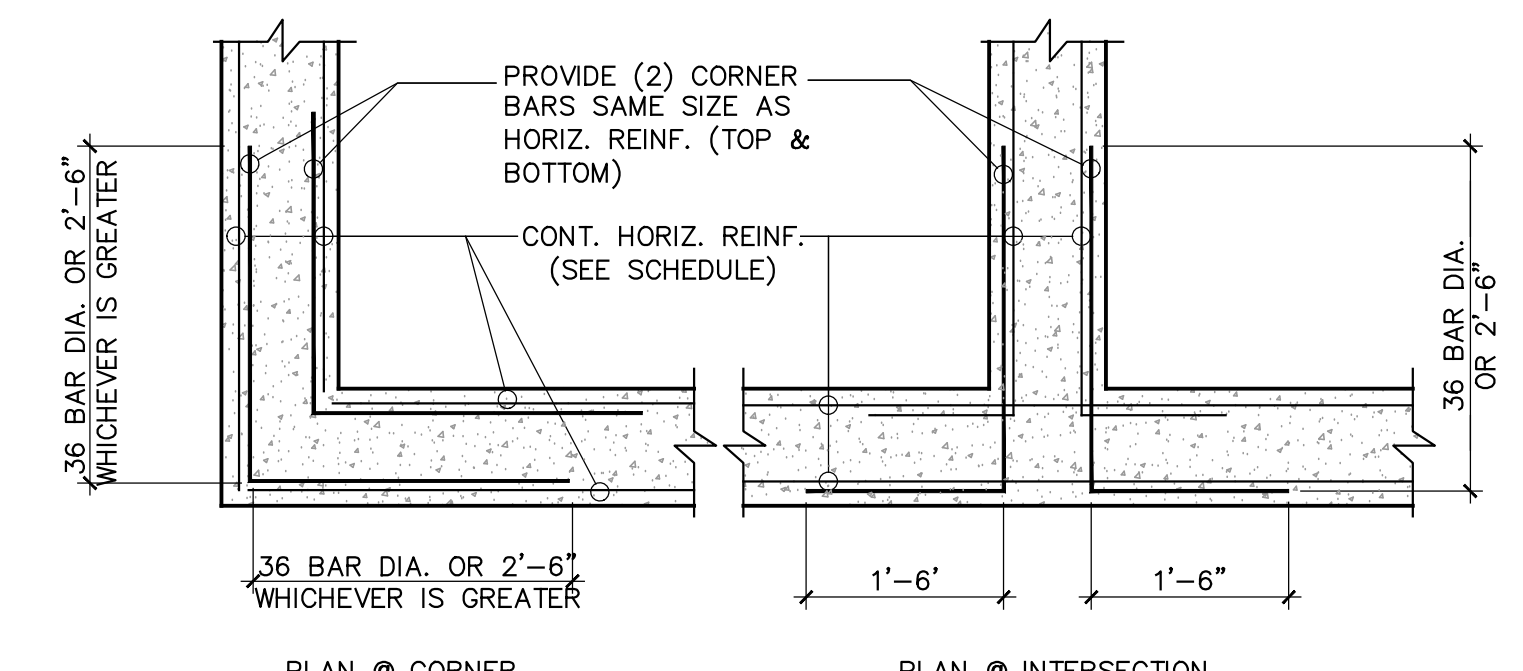
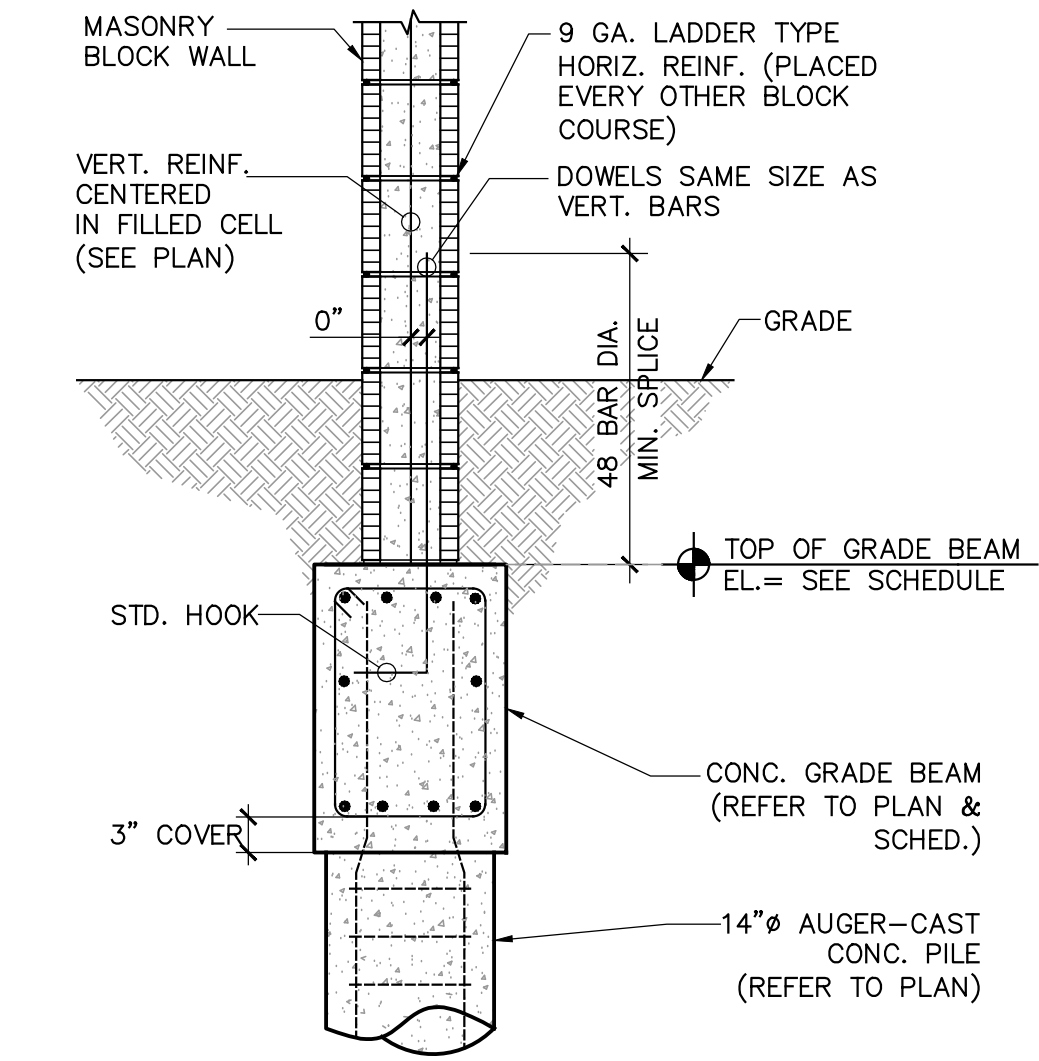


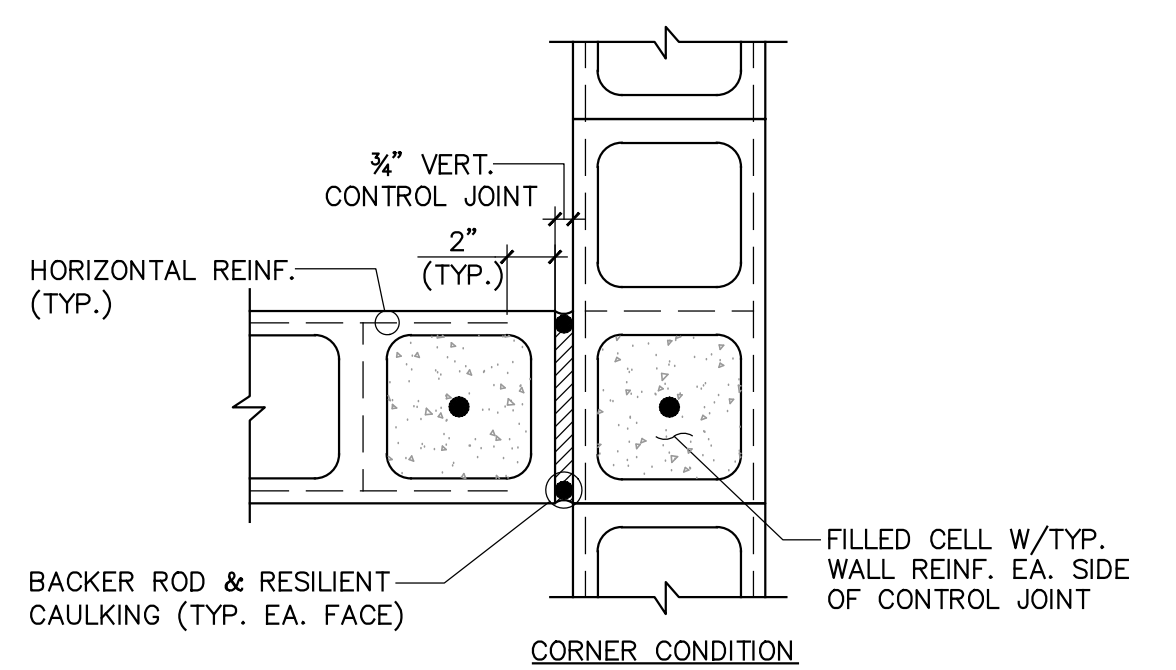
NOTES:

- HORIZ. REINF. SHALL BE EMBEDDED A MIN. OF 4" INTO ADJACENT CONCRETE COLUMNS (IF APPLICABLE).
- LAPPING OF HORIZ. REINF. SHALL BE A MIN. OF 16" (ONE BLOCK LENGTH).



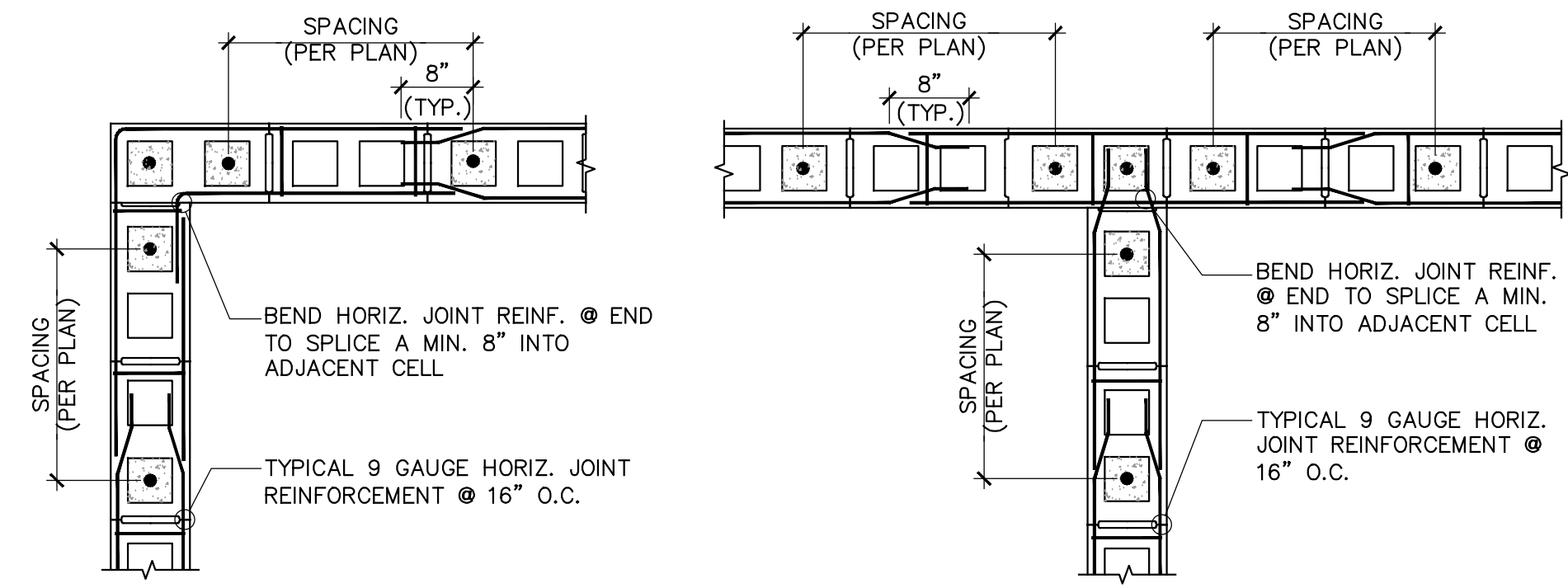
NOTES:

- DETAIL TO BE USED FOR REINFORCEMENT IN WALLS, FOOTINGS, CONCRETE BEAMS & GRADE BEAMS.
- ALL CORNER BARS SHALL BE PLACED AT TOP & BOTTOM OF CONCRETE MEMBERS.



NOTES:

- CONTROL JOINT SHALL BE CONTINUOUS WITHOUT INTERRUPTION FROM FOUNDATION TO TOP OF WALL.
- TERMINATE HORIZ. REINF. 2" FROM CONTROL JOINT.
- MAX. SPACING OF CONTROL JOINTS SHALL BE 3x WALL HEIGHT OR 50'-0", WHICHEVER LESS.



BLDG. DEPT. COMMENTS 08-21-19

TO THE BEST OF MY KNOWLEDGE THESE PLANS CONFORM TO THE STRUCTURAL REQUIREMENTS OF F.B.C. 2017, LATEST REVISIONS, INCLUDING SECTIONS PERTAINING TO H.V.H.Z.

ENGINEER OF RECORD HEREBY EXPRESSLY RESERVES HIS COMMON LAW COPYRIGHT AND OTHER PROPERTY RIGHTS IN THESE PLANS. THIS DESIGN AND DRAWINGS ARE NEITHER TO BE REPRODUCED, COPIED, NOR CHANGED IN ANY FORM OR MANNER WHATSOEVER NOR ASSIGNED TO ANY PARTY WITHOUT FIRST OBTAINING THE EXPRESS WRITTEN PERMISSION AND CONSENT OF ROCHELL ENGINEERING, INC.

ALEXANDER ROCHELL
FL P.E. #60735
205 Sandstone Avenue
Coral Gables, Florida 33134
TEL: 305.640.4069 - FAX: 305.648.4149

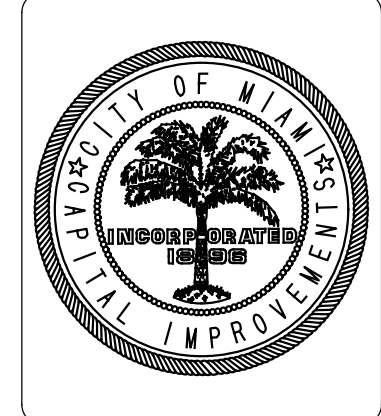
ROCHELL ENGINEERING, INC.
STRUCTURAL CONSULTING ENGINEERS
CERT. OF AUTHORIZATION No. 27034

Revisions	Description
N°	Date

Design: REC
Drawn: TB
Checked: MP
Survey: -
Inspections: -
Project Manager: -

ARCHITECT SEAL
ROBERT E. CHISHOLM, F.A.A.
LIC. NO. AR000744Z

R.E. CHISHOLM ARCHITECTS, INC.
ARCHITECTURAL AND INTERIOR DESIGN
1001 NW 46th St., Suite 207
Miami, FL 33146
Tel: (305) 441-2070



Project Title:
**CITY OF MIAMI
NEW FIELD RESTROOMS AT KENNEDY PARK
B-40581**

2400 S. BAYSHORE DRIVE, MIAMI, FL, 33133

Drawing Title:

Contract #	14-796
Date	04.21.2018
Scale	AS SHOWN
Drawing #	S-6
File	Drawer Dwg.