

City Officials:

Mayor

Tomas P. Regalado

Commissioner

Wifredo (Willy) Gort

Commissioner

Marc Sarnoff

Commissioner

Frank Carollo

Commissioner

Francis Suarez

Commissioner

Keon Hardemon

City Manager

Daniel J. Alfonso

City Attorney

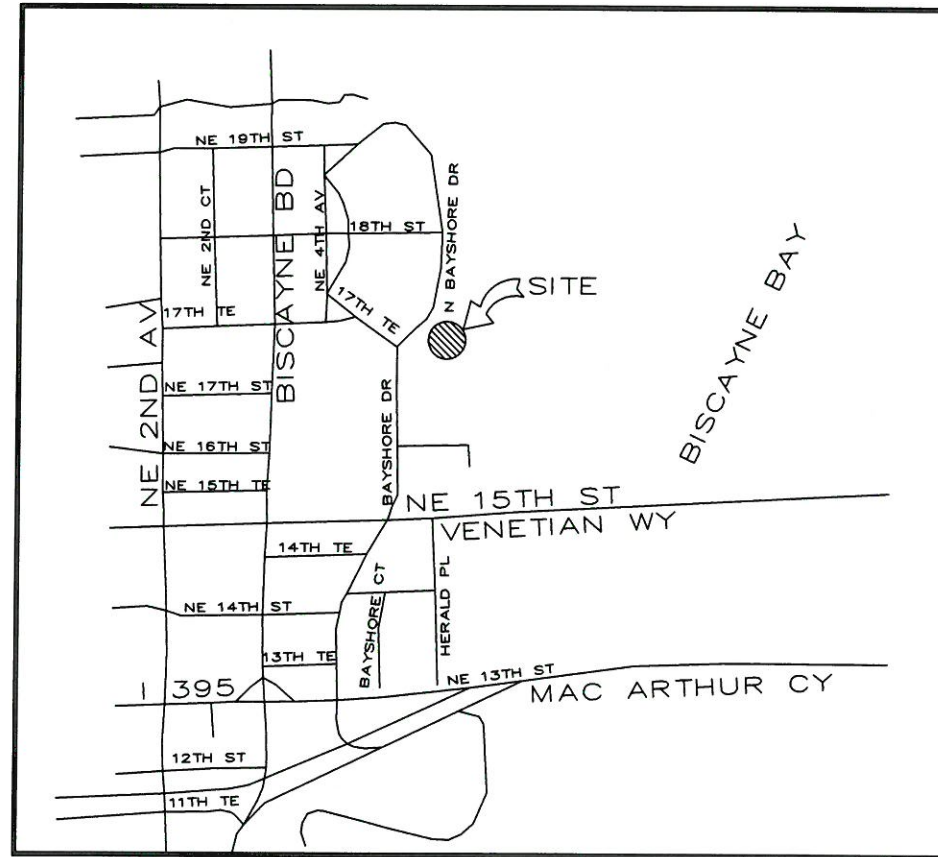
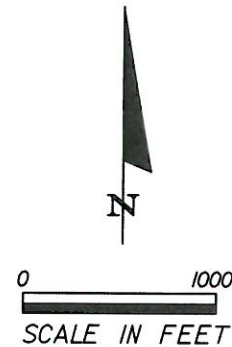
Victoria Mendez

City Clerk

Todd B. Hannon

CITY OF MIAMI
CAPITAL IMPROVEMENTS PROGRAM

JEOVANNY RODRIGUEZ, P.E. DIRECTOR
PROJECT No. B-30731
MIAMI WOMAN'S CLUB
SEAWALL & BAYWALK
CONSTRUCTION PLANS



INDEX OF SHEETS

SHEET NO.	SHEET DESCRIPTION
1	KEY SHEET
2	SUMMARY OF QUANTITIES
3	GENERAL NOTES
4	ENGINEERING PLAN
5	AMMENITIES PLAN
6 & 7	ENGINEERING DETAILS
S-1	STRUCTURAL NOTES
S-2	KEY PLAN
S-3 to S-5	PLAN SHEETS
S-6 & S-7	SECTIONS & DETAILS
S-8	CONCRETE REPAIR DETAILS

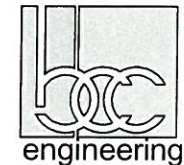
ROADWAY SHOP DRAWINGS
TO BE SUBMITTED TO:

Christopher A. Zavatsky, P.E.
BCC Engineering, Inc.
6401 SW 87th Avenue, Suite 200
Miami, Florida 33173
Phone: (305) 670-2350
Fax: (305) 670-2351

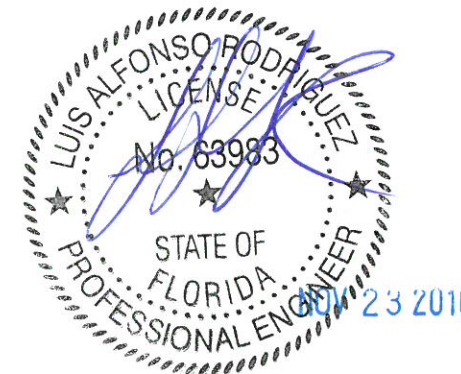
STRUCTURAL SHOP DRAWINGS
TO BE SUBMITTED TO:

Steve Goldstein, P.E.
BCC Engineering, Inc.
6401 SW 87th Avenue, Suite 200
Miami, Florida 33173
Phone: (305) 670-2350
Fax: (305) 670-2351

PLANS PREPARED BY:



6401 SW 87th Avenue, Suite 200
Miami, Florida 33173
Phone: (305) 670-2350
Fax: (305) 670-2351
Certificate of Authorization No. 7184



NOTE: THE SCALE OF THESE PLANS MAY
HAVE CHANGED DUE TO REPRODUCTION.

ROADWAY PLANS
ENGINEER OF RECORD: LUIS A. RODRIGUEZ, P.E.

FLORIDA LICENSE No.: 63983

REVISIONS:

- △ SHEET No. : 4, 5, S-2 TO S-4, S-6 (REVISED 8/3/15)
- △ SHEET No. : 2, 5, S-1 TO S-4, S-6 (REVISED 10/9/15)
- △ SHEET No. : 2, 4 TO 7, S-1 TO S-3, S-6 (REVISED 11/23/16)

GOVERNING STANDARDS AND SPECIFICATIONS:
- FLORIDA DEPARTMENT OF TRANSPORTATION,
DESIGN STANDARDS DATED 2010,
AND STANDARD SPECIFICATIONS FOR ROAD AND
BRIDGE CONSTRUCTION DATED 2010,
AS AMENDED BY CONTRACT DOCUMENTS.
- CITY OF MIAMI ENGINEERING STANDARDS FOR
DESIGN AND CONSTRUCTION DATED DECEMBER 2010.

CITY OF MIAMI PROJECT MANAGER: ORLANDO MISAS

CITY OF MIAMI CONSTRUCTION MANAGER: ERIC RUSH, P.E.

SHEET
NO.

1

ITEM	PAY ITEM	DESCRIPTION	UNITS	QUANTITY
1	101-1	MOBILIZATION	LS	1
2	104-10-3	SILT FENCE	LF	331
3	104-11	FLOATING TURBIDITY BARRIER	LF	175
4	104-18	INLET PROTECTION SYSTEM	EA	2
5	110-1-1	CLEARING AND GRUBBING	AC	0.084
6	120-6	EMBANKMENT (FILL TO REGRADE GREEN AREAS ALONG WALKWAY)	CY	9
7	425-2-101	HYDRO INTERNATIONAL - MODEL 4-FT DIAMETER FIRST DEFENSE	EA	1
8	425-10	YARD DRAIN - NYLOPLAST (8")	EA	11
9	425-10	DRAIN BASIN - NYLOPLAST (12")	EA	1
10	430-175-112	PIPE CULV (OPT MATL)(ROUND)(8") (ALL PIPE TO BE PVC)	LF	200
11	430-175-112	PIPE CULV (OPT MATL)(ROUND)(10") (ALL PIPE TO BE HDPE)	LF	33
12	436-1-2	TRENCH DRAIN (ZURN Z-886 OR APPROVED EQUAL)	LF	8
13	455-34-2	PRESTRESSED CONCRETE PILING, 14" SQ	LF	48
14	515-2-319	PEDESTRIAN RAILING	LF	140
15	520-2-4	CONCRETE WALL	LF	144
16	550-10-929	FENCING (ALUMINUM PICKET FENCE)	LF	120
17		5' WIDE SWING GATE	EA	1
18	570-1-2	PERFORMANCE TURF, SOD	SY	120
19	580-1-2	LANDSCAPE COMPLETE (CABBAGE PALM OR EQUAL)	EA	14
20		SEA WALL DEMOLITION	SF	650
21		SEA WALL REPAIR	SF	150
22		RIVER ROCK	SF	510
23		CAST-IN-PLACE CONCRETE	CY	212
24	530-2	RIP-RAP	CY	14
25	580-332-25	TREE REMOVAL (>48")	EA	8
26	715-511-115	LIGHT POLE COMPLETE SPECIAL DESIGN (15' H), F&I	EA	5
27	721-74-1	TRASH RECEPTACLE (AS PER CITY OF MIAMI GREENWAY STANDARDS)	EA	2
28	721-75-1	BENCH (AS PER CITY OF MIAMI GREENWAY STANDARDS)	EA	4

PAY ITEM NOTES:

PAY ITEMS INCLUDES ESTIMATED QUANTITY CONTINGENT UPON FIELD CONDITIONS AND MAY BE INCREASED OR DECREASED AS DIRECTED BY THE ENGINEER.

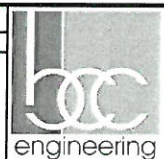
110-1-1 CLEARING AND GRUBBING INCLUDES REMOVAL OF EXISTING PAVEMENT, MISCELLANEOUS CONCRETE (SEAWALL DEMOLITION), ALUMINUM PICKET FENCE, VEGETATION, TREES AND DEBRIS TO BE DISPOSED OF IN LEGAL AREAS PROVIDED BY THE CONTRACTOR. INCLUDES THE COST OF CLEANING-OUT ALL EXISTING DRAINAGE STRUCTURES WHICH ARE TO REMAIN WITHIN THE LIMITS OF CONSTRUCTION.

425-2-101 THIS PAY ITEM SHALL INCLUDE FURNISHING AND INSTALLING COMPLETE HYDRODYNAMIC DEVICE AS SPECIFIED IN THE PLANS (HYDRO INTERNATIONAL - MODEL 4-FT DIAMETER FIRST DEFENSE). INSTALLATION OF HYDRODYNAMIC DEVICES SHALL COMPLY WITH THE MANUFACTURER RECOMMENDATIONS AND SPECIFICATIONS AND WITH FDOT SPECIFICATIONS, SECTION 425 FOR INSTALLATION OF MANHOLES.



REVISIONS

DATE	BY	DESCRIPTION	DATE	BY	DESCRIPTION
10/9/2015	AC	2 RIP RAP CLARIFICATIONS			
11/23/2016	AC	3 REVISED PICKET FENCE QUANTITY			



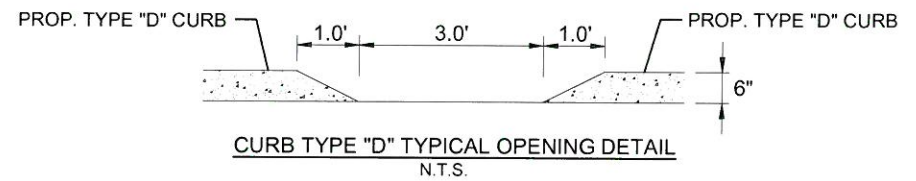
Luis A. Rodriguez, P.E.
 Florida License No. 63983
 6401 SW 87th Avenue, Suite 200
 Miami, Florida 33173
 Phone: (305) 670-2350
 Fax: (305) 670-2351
 Certificate of Authorization No. 7184

CITY OF MIAMI	
CAPITAL IMPROVEMENTS PROGRAM	
PROJECT NAME	PROJECT ID
MIAMI WOMAN'S CLUB SEAWALL & BAYWALK	B-30731

SUMMARY OF QUANTITIES

SHEET NO.	2
-----------	---

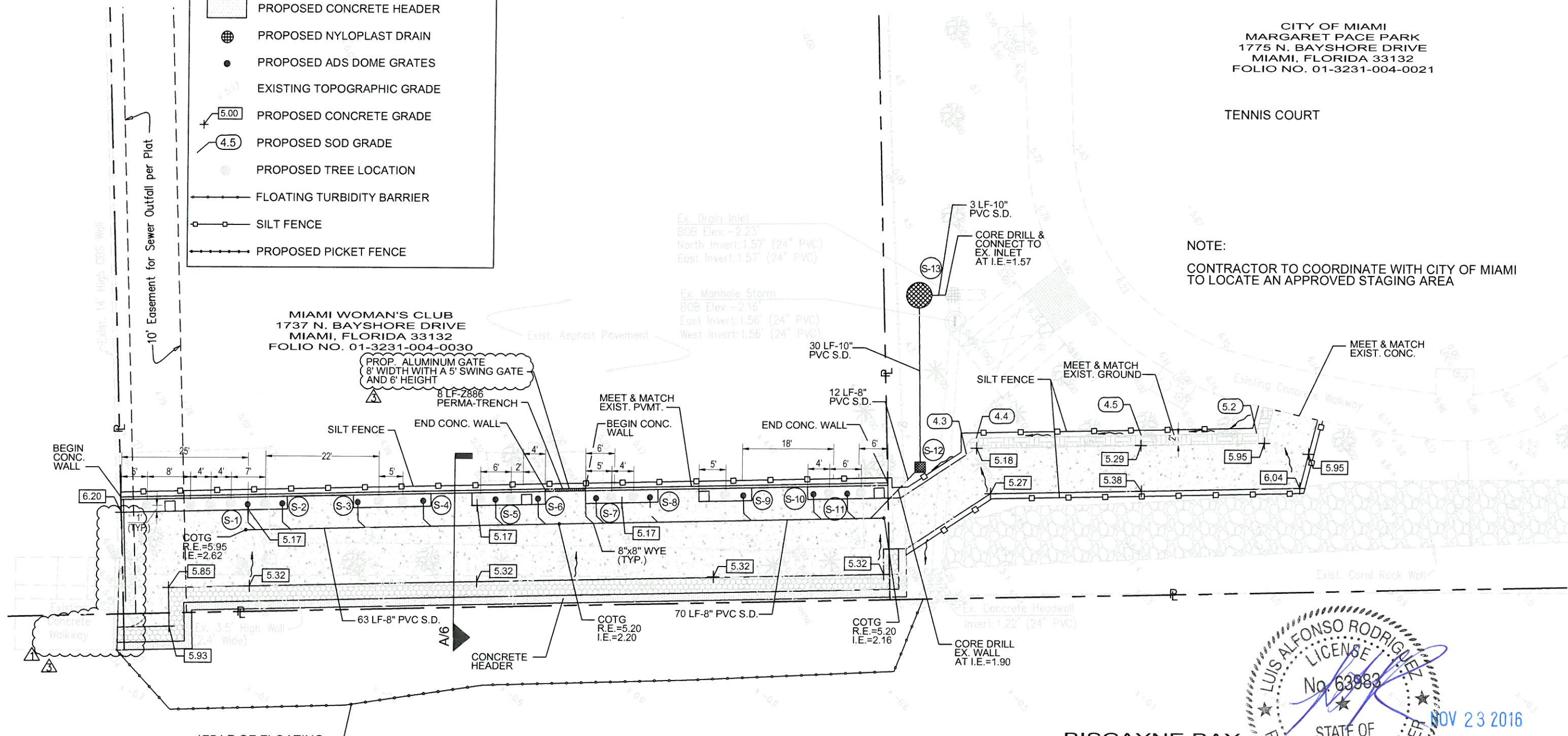
LEGEND	
	PROPOSED SAFETY BUFFER ZONE
	PROPOSED CONCRETE BAYWALK
	PROPOSED SOD REGRADING
	PROPOSED CONCRETE HEADER
	PROPOSED NYLOPLAST DRAIN
	PROPOSED ADS DOME GRATES
	EXISTING TOPOGRAPHIC GRADE
	PROPOSED CONCRETE GRADE
	PROPOSED SOD GRADE
	PROPOSED TREE LOCATION
	FLOATING TURBIDITY BARRIER
	SILT FENCE
	PROPOSED PICKET FENCE



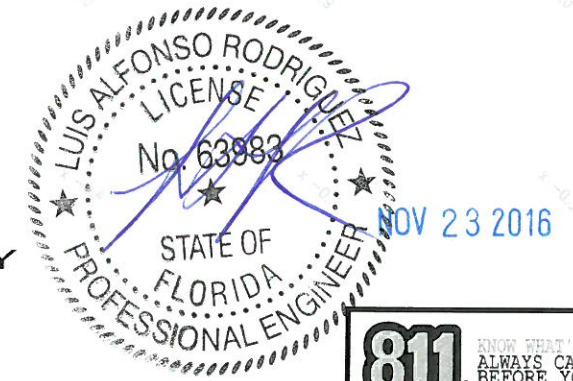
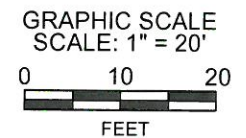
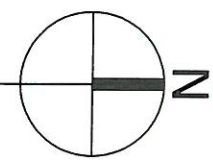
FOLIO NO.	01-3231-004-0030	01-3231-004-0021
TOTAL PROJECT AREA (5081 SF)	3516 SF	1565 SF
TOTAL PROJECT AREA ABOVE WATER	589 SF	5 SF
TOTAL PROJECT AREA LANDSIDE	2927 SF	1570 SF

CITY OF MIAMI
MARGARET PACE PARK
1775 N. BAYSHORE DRIVE
MIAMI, FLORIDA 33132
FOLIO NO. 01-3231-004-0021

NOTE:
CONTRACTOR TO COORDINATE WITH CITY OF MIAMI
TO LOCATE AN APPROVED STAGING AREA



CIVIL ENGINEERING PLAN
SCALE: 1" = 20'



REVISIONS					
DATE	BY	DESCRIPTION	DATE	BY	DESCRIPTION
8/3/2015	CAZ	▲ SOUTH PROPERTY LINE REVISION			
11/23/2016	AC	▲ REMOVED PROP. PICKET FENCE			




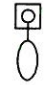
Luis A. Rodriguez, P.E.
Florida License No. 63983
6401 SW 87th Avenue, Suite 200
Miami, Florida 33173
Phone: (305) 670-2350
Fax: (305) 670-2351
Certificate of Authorization No. 7184

CITY OF MIAMI CAPITAL IMPROVEMENTS PROGRAM	
PROJECT NAME	PROJECT ID
MIAMI WOMAN'S CLUB SEAWALL & BAYWALK	B-30731

ENGINEERING PLAN

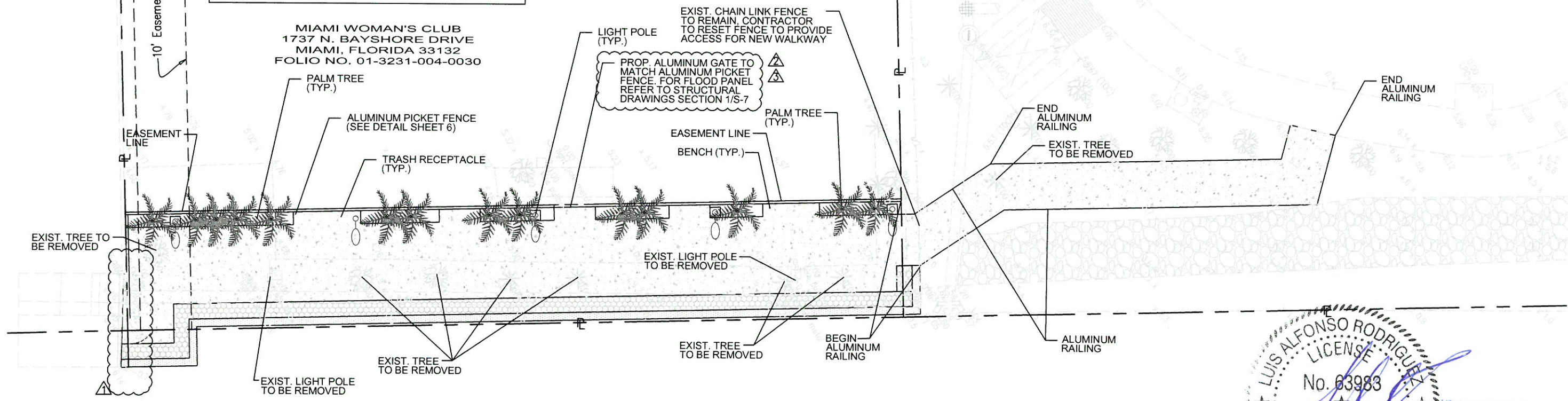
SHEET NO.
4

CITY OF MIAMI
 MARGARET PACE PARK
 1775 N. BAYSHORE DRIVE
 MIAMI, FLORIDA 33132
 FOLIO NO. 01-3231-004-0021

LEGEND	
	CABBAGE PALM OR EQUAL (MIN. 16' HT. OVERALL)
	BENCH (AS PER CITY OF MIAMI GREENWAY DESIGN STANDARDS)
	TRASH RECEPTACLE (AS PER CITY OF MIAMI GREENWAY DESIGN STANDARDS)
	CARMANAH EVERGEN SOLAR LUMINAIRE AND POLE

PROVIDE MASS OF GROUNDCOVER PLANTS AT THE BASE OF PALMS (MUHLY GRASS OR EQUAL)

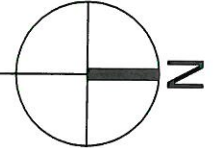
OFFSET FROM EASEMENT LINE	
LIGHT POLES	2 LF
TREES	1.75 LF
YARD DRAINS	2 LF
BENCHES	1 LF
TRASH RECEPTACLE	1 LF



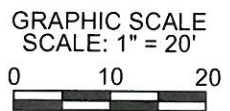
NOTE:
 1. TREES TO REMAIN SHALL BE PROTECTED AGAINST DAMAGE. TREES THAT ARE IN CLOSED PROXIMITY AND THE ROOT SYSTEM IS IN CONFLICT WITH THE PROPOSED CONDITION SHALL BE ROOT PRUNED 2 WEEKS PRIOR TO COMMENCING ANY OF THE PROPOSED WORK.
 2. ALUMINUM PICKET FENCE AND GATE WILL BE INSTALLED AT THE DISCRETION OF CITY OF MIAMI CONSTRUCTION MANAGER.

AMMENITIES PLAN

SCALE: 1" = 20'



BISCAYNE BAY



Professional Engineer Seal for Luis Alfonso Rodriguez, License No. 63983, State of Florida. The seal is dated NOV 23 2016. Below the seal is the 811 logo with the text 'KNOW WHAT'S BELOW ALWAYS CALL 811 BEFORE YOU DIG' and the website 'www.callsunshine.com'.

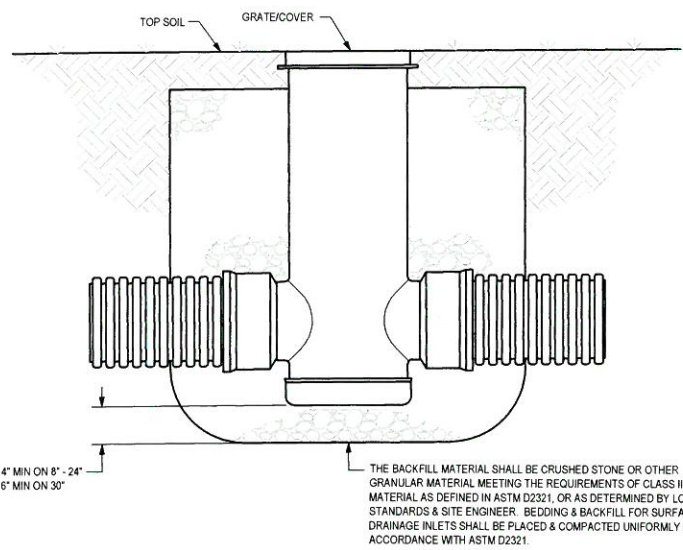
REVISIONS					
DATE	BY	DESCRIPTION	DATE	BY	DESCRIPTION
8/3/2015	CAZ	△ SOUTH PROPERTY LINE REVISION			
11/5/2015	A.C.	△ REVISED PER CITY OF MIAMI COMMENTS			
11/23/2016	A.C.	△ REVISED ALUMINUM GATE NOTE			

Logo for 'engineering' (three interlocking circles).
 Luis A. Rodriguez, P.E.
 Florida License No. 63983
 6401 SW 87th Avenue, Suite 200
 Miami, Florida 33173
 Phone: (305) 670-2350
 Fax: (305) 670-2351
 Certificate of Authorization No. 7184

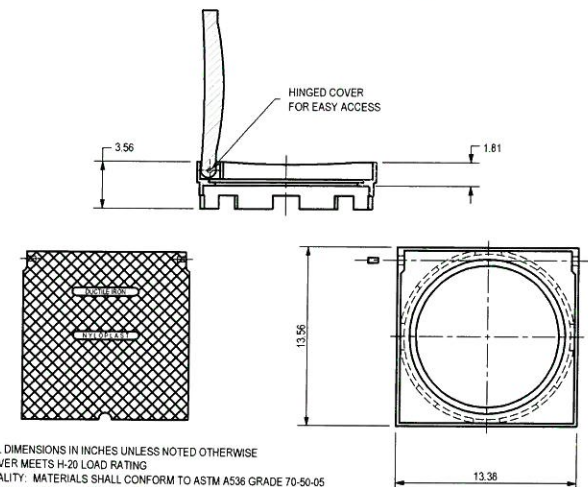
CITY OF MIAMI CAPITAL IMPROVEMENTS PROGRAM	
PROJECT NAME	PROJECT ID
MIAMI WOMAN'S CLUB SEAWALL & BAYWALK	B-30731

AMMENITIES PLAN

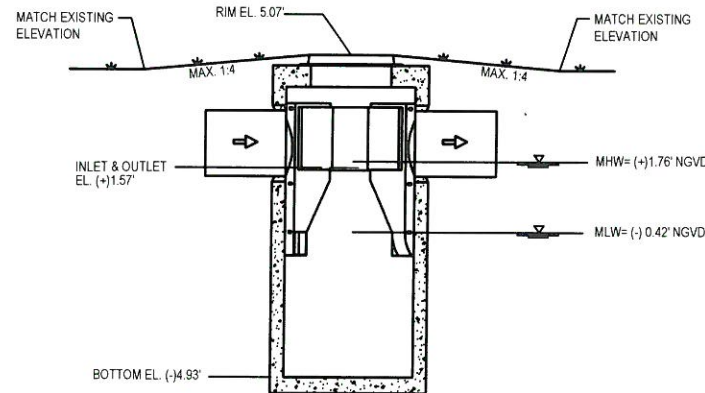
SHEET NO.	5
-----------	---



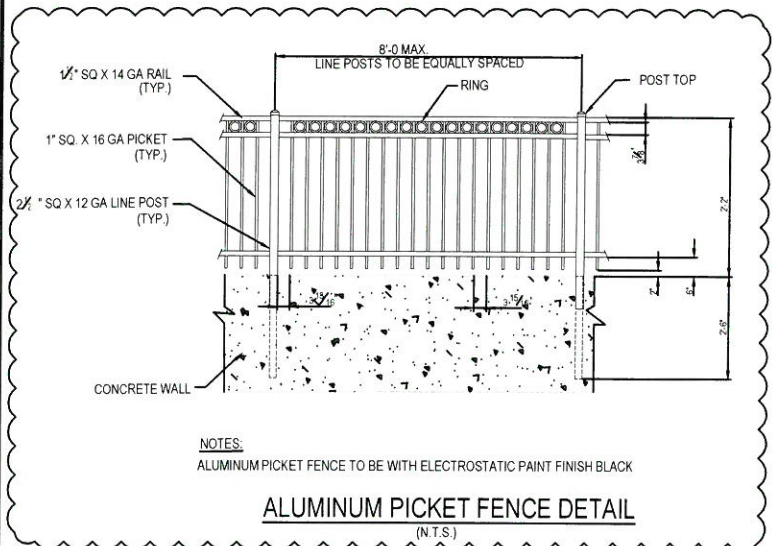
NYLOPLAST 12" DRAIN BASIN
(N.T.S.)



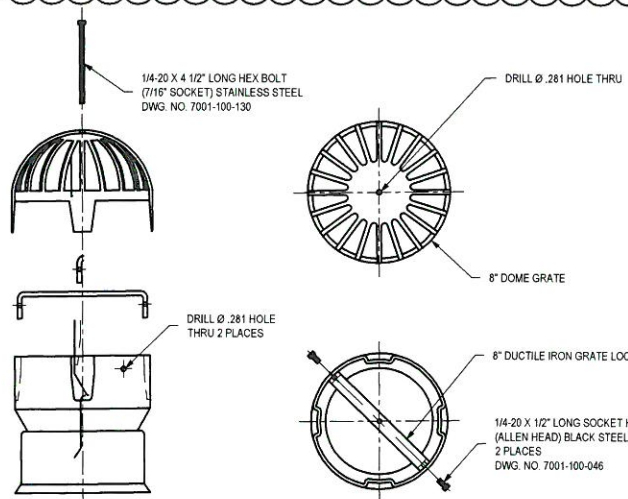
12" SOLID COVER ASSEMBLY DETAIL
(N.T.S.)



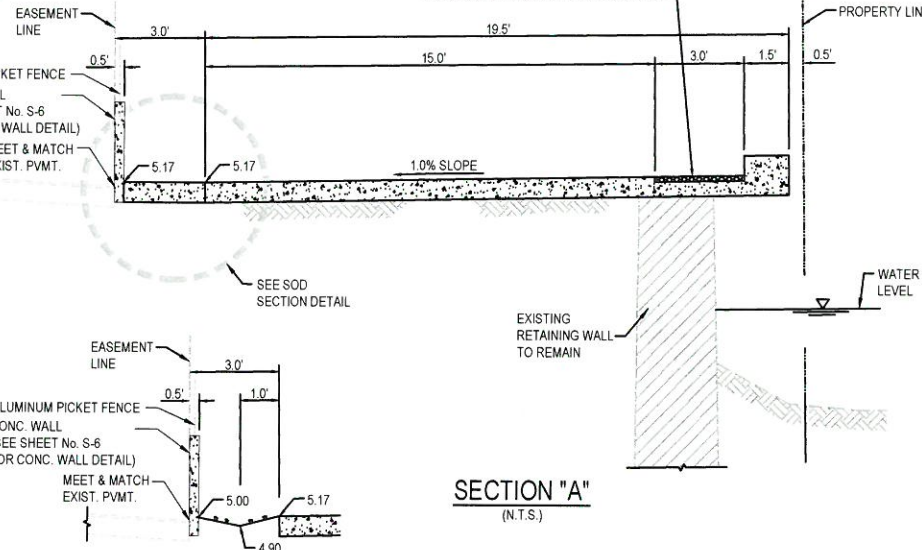
4-FT DIAMETER FIRST DEFENSE GRADING DETAIL
(N.T.S.)



ALUMINUM PICKET FENCE DETAIL
(N.T.S.)

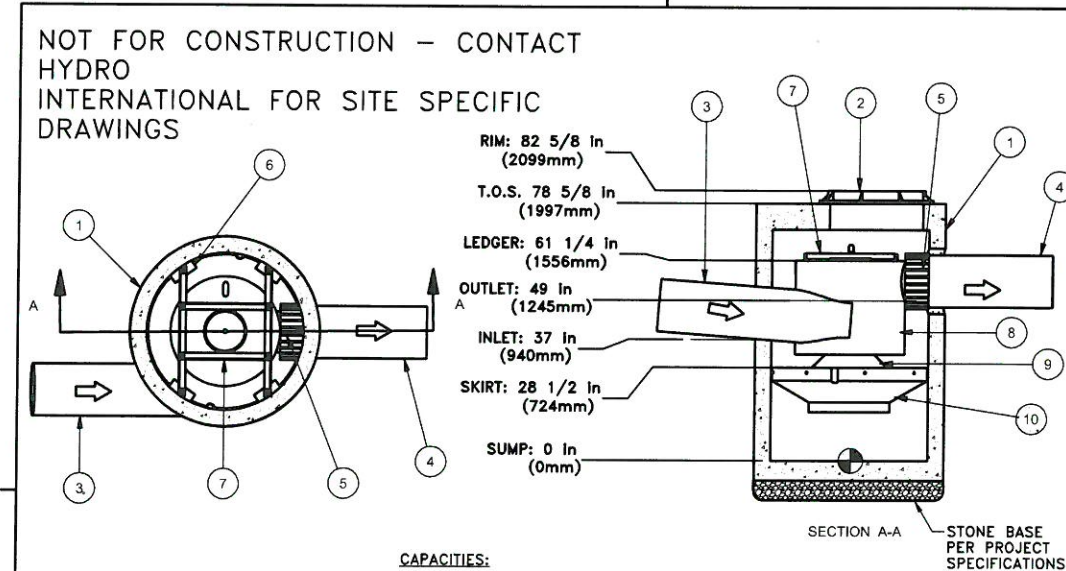


DOME GRATE ASSEMBLY DETAIL
(N.T.S.)



SECTION \"/>

SOD SECTION DETAIL
(N.T.S.)



ITEM	DESCRIPTION	SIZE
1	PRECAST MANHOLE (BY HYDRO VIA PRECASTER)	48 in
2	FRAME AND COVER	30 in
3	INLET PIPE (BY OTHERS)	12 in
4	OUTLET PIPE (BY OTHERS)	12 in
5	PIPE COUPLING (BY OTHERS)	
6	LEDGER ANGLE	
7	SUPPORT FRAME	
8	DIP PLATE	
9	CENTER SHAFT AND CONE	
10	BENCHING SKIRT	

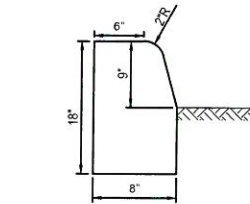
CAPACITIES:

1. Peak treatment flow: 3.0 cfs (85 l/s)
2. Sediment storage capacity: 0.70 Cu. yd. (0.54 cu. m.)
3. Oil storage capacity: 70 Gal. (265 liters)

ADDITIONAL DESIGN INFORMATION:

1. The outlet pipe stub (not shown) is a roto-molded product with an I.D. of 12 in. that cannot be modified. To avoid the use of a reducer or expander on the outlet a 12 in. outlet pipe should be used if possible. The orientation of the outlet pipe can be adjusted to suit site conditions.
2. Maximum pipe size is 12 in. The inlet pipe invert should be placed one inlet pipe diameter below the outlet pipe invert. The I.D. of the inlet pipe should be placed tangent to the I.D. of the manhole. The orientation of the inlet pipe can be adjusted to suit site conditions. Headloss at 3.0 cfs with a 12 in. inlet: 8 in. (203 mm). Headloss will increase with smaller inlet pipes.
3. Sediment shall be stored in a zone that is isolated from the main flow path and protected from re-entrainment by the benching skirt.
4. Dimensions are general and intended for guidance only.

© 2012 Hydro International. Any warranty made by Hydro International only applies to those items supplied by it. Hydro International does not accept and expressly disclaims any responsibility or liability for any structure, plant or equipment (or the performance thereof) designed, built, manufactured or supplied by any third party. Hydro International has a policy of continuous product development and reserves the right to amend the specifications of any of its products or equipment at any time. Hydro International expressly disclaims any liability for the performance of its equipment (or any part thereof) used or made subject to conditions outside of the conditions set forth in Hydro International's design specifications. Hydro International owns the copyright in and to this drawing, which is supplied in confidence, and all intended recipients of the drawing, by their use thereof, agree to hold the drawing in confidence and not to use it for any purpose other than for which it was supplied and not to reproduce, in whole or in part, the drawing or any of the equipment or structures depicted therein, without prior written permission of Hydro International.



9" TYPE \"/>

NO.	TYPE & INSIDE DIMENSION	GRATE/RIM ELEVATION	PIPE INVERT ELEVATION				BOTTOM SLAB TOP ELEV.	PRB	REMARKS:
			N	S	E	W			
S-1	8" YARD DRAIN	4.90			2.40			—	NYLOPLAST DRAIN BASIN W/ DOME GRATE, HINGED DESIGN & LOCKING OPTION
S-2	8" YARD DRAIN	4.90			2.40			—	NYLOPLAST DRAIN BASIN W/ DOME GRATE, HINGED DESIGN & LOCKING OPTION
S-3	8" YARD DRAIN	4.90			2.40			—	NYLOPLAST DRAIN BASIN W/ DOME GRATE, HINGED DESIGN & LOCKING OPTION
S-4	8" YARD DRAIN	4.90			2.40			—	NYLOPLAST DRAIN BASIN W/ DOME GRATE, HINGED DESIGN & LOCKING OPTION
S-5	8" YARD DRAIN	4.90			2.40			—	NYLOPLAST DRAIN BASIN W/ DOME GRATE, HINGED DESIGN & LOCKING OPTION
S-6	8" YARD DRAIN	4.90			2.40			—	NYLOPLAST DRAIN BASIN W/ DOME GRATE, HINGED DESIGN & LOCKING OPTION
S-7	8" YARD DRAIN	4.90			2.40			—	NYLOPLAST DRAIN BASIN W/ DOME GRATE, HINGED DESIGN & LOCKING OPTION
S-8	8" YARD DRAIN	4.90			2.40			—	NYLOPLAST DRAIN BASIN W/ DOME GRATE, HINGED DESIGN & LOCKING OPTION
S-9	8" YARD DRAIN	4.90			2.40			—	NYLOPLAST DRAIN BASIN W/ DOME GRATE, HINGED DESIGN & LOCKING OPTION
S-10	8" YARD DRAIN	4.90			2.40			—	NYLOPLAST DRAIN BASIN W/ DOME GRATE, HINGED DESIGN & LOCKING OPTION
S-11	8" YARD DRAIN	4.90			2.40			—	NYLOPLAST DRAIN BASIN W/ DOME GRATE, HINGED DESIGN & LOCKING OPTION
S-12	12" DRAIN BASIN	4.00		1.85		1.85		—	NYLOPLAST DRAIN BASIN W/ SOLID DUCTILE IRON COVER, HINGED DESIGN & LOCKING OPTION
S-13	4 FT-DIAMETER DOWNSTREAM DEFENDER	5.07	1.57		1.57		(-) 4.93	—	HYDRO INTERNATIONAL - MODEL 4-FT DIAMETER DOWNSTREAM DIAMETER

- Notes**
1. MANHOLE WALL AND SLAB THICKNESSES ARE NOT TO SCALE.
 2. CONTACT HYDRO INTERNATIONAL FOR A BOTTOM OF STRUCTURE ELEVATION PRIOR TO SETTING DOWNSTREAM DEFENDER MANHOLE.
 3. TYPICALLY DOWNSTREAM DEFENDERS WILL BE DELIVERED TO THE PROJECT SITE WITH A TOP SLAB ELEVATION 12" BELOW FINISHED GRADE. PURCHASER SHALL BE RESPONSIBLE FOR GRADE RINGS OR BLOCK AND MORTAR NECESSARY TO MEET FINAL GRADE.

REV	BY	DATE	DESCRIPTION
A	JLL	8/8/12	Added Note 3

Drawn	Checked	Approved
EMH	MRJ	MRJ

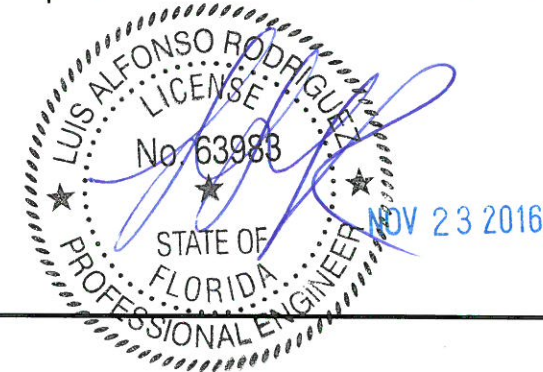
Title
4 -FT (1.22m) DIAMETER DOWNSTREAM DEFENDER

GENERAL ARRANGEMENT



Stormwater Solutions
94 Hutchins Drive
Portland, Maine 04102
Tel: (207) 756-6200
Fax: (207) 756-6212
stormwaterinquiry@hydro-int.com

CAD Ref: D4GA_SI
Project No.
Drawing No. D4GA_SI Rev. A



REVISIONS					
DATE	BY	DESCRIPTION	DATE	BY	DESCRIPTION
11/23/2016	AC	REVISED ALUMINUM PICKET FENCE DETAIL			

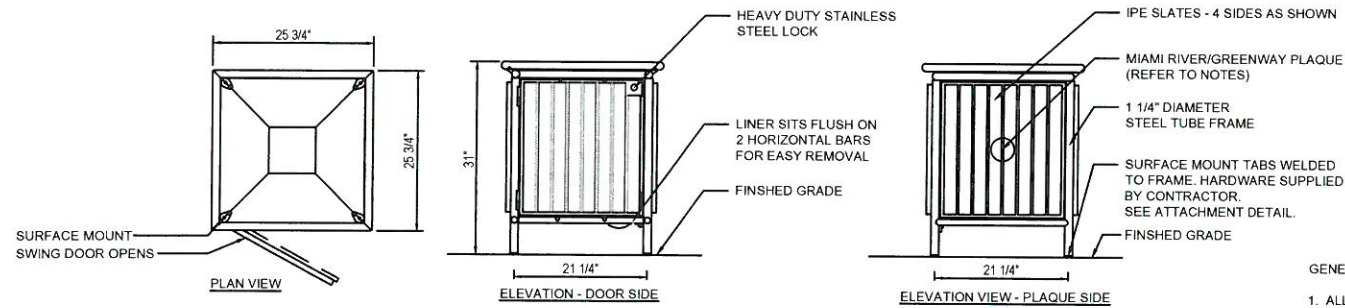


Luis A. Rodriguez, P.E.
Florida License No. 63983
6401 SW 87th Avenue, Suite 200
Miami, Florida 33173
Phone: (305) 670-2350
Fax: (305) 670-2351
Certificate of Authorization No. 7184

CITY OF MIAMI CAPITAL IMPROVEMENTS PROGRAM	
PROJECT NAME	PROJECT ID
MIAMI WOMAN'S CLUB SEAWALL & BAYWALK	B-30731

ENGINEERING DETAILS

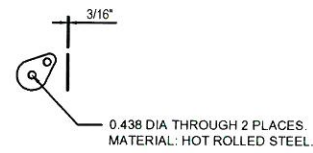
SHEET NO.
6



NOTES:
MANUFACTURER: LANDSCAPE FORMS, INC.
VENDOR: GAP ARCHITECTURAL PRODUCTS (407) 645-2854.
LITTER MODEL: PLAINWELL WASHINGTON SQUARE
LITTER RECEPTACLE WITH PLAQUE, IPE SLATS, HEAVY DUTY STAINLESS STEEL LOCK, SM TABS SURFACE MOUNT

STYLE: SIDE OPENING
MOUNTING: SURFACE-MOUNTING
LINER COLOR: BLACK
FINISH: PANGARD II® POLYESTER POWDERCOAT
FINISH COLOR: BLACK
ANCHORS: STAINLESS STEEL

- NOTES:
1. ALL HARDWARE SUPPLIED BY CONTRACTOR TO BE STAINLESS STEEL.
 2. ANCHORS TO BE 3/8" DIA., STUD TYPE EXPANSION ANCHOR, MIN. OF 2-1/2" LONG MOUNTING HOLES ARE 7/16" DIA.
 3. LINER TO HAVE (5) 1/2" DIAMETER HOLES TO ALLOW FOR DRAINAGE.
 4. CONTRACTOR TO MANUFACTURE AND SUPPLY MIAMI RIVERWALK/GREENWAY PLAQUE AS PER "MIAMI RIVER REGULATORY DESIGN STANDARDS", CENTER ON PANEL OPPOSITE OF DOOR. PLAQUE INSTALLED BY LANDSCAPE FORMS, INC.

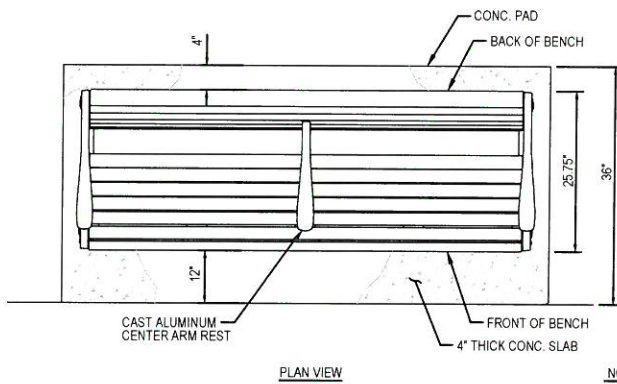


SURFACE MOUNT TAB DETAIL (NOT TO SCALE)

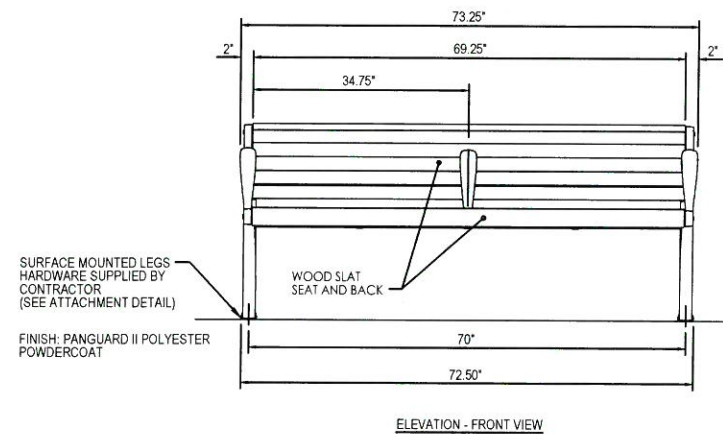
GENERAL AMENITY FURNISHING NOTES:

1. ALL SITE FURNISHINGS SHALL MEET OR EXCEED ASTM, BIFMA OR INDUSTRY STANDARDS.
2. SITE FURNISHING SHALL BE INSTALLED PER MANUFACTURER'S RECOMMENDATIONS.
3. INSTALL SITE FURNISHINGS WITH TAMPER-PROOF BOLTS OR SIMILAR AS SPECIFIED BY MANUFACTURER.
4. REFER TO MANUFACTURER'S PRODUCT SPECIFICATIONS FOR ALL MATERIAL SPECIFICATIONS AND INSTALLATION INSTRUCTIONS.
5. ALL SITE FURNISHINGS TO BE FIELD LOCATED.
6. MANUFACTURER NOTE: CONTRACTOR TO COORDINATE AND MANUFACTURER MIAMI RIVER/GREENWAY LOGO AS PER "MIAMI REGULATORY DESIGN STANDARDS," TO BE MOUNTED ON BENCH AND TRASH RECEPTACLE.
7. SUBMIT FOR REVIEW CUT SHEETS FOR ALL SITE FURNISHINGS PRIOR TO INSTALLATION. CUT SHEETS TO INCLUDE INSTALLATION METHODS OF ATTACHMENT TO CONCRETE SURFACE.

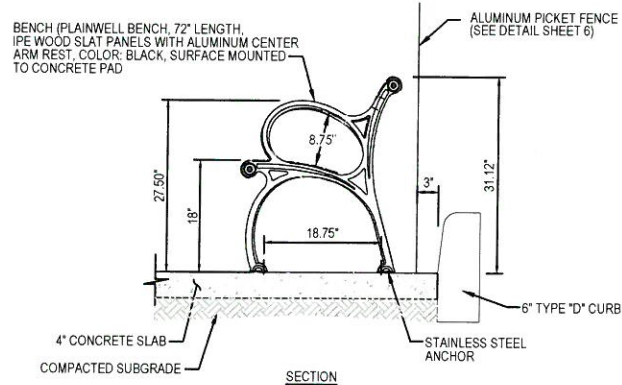
LITTER RECEPTACLE - SURFACE MOUNTED (N.T.S.)



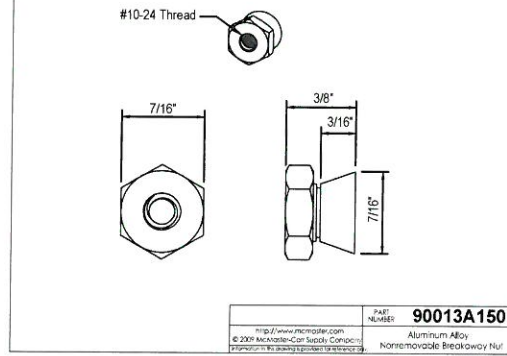
- NOTES:
1. ALL HARDWARE SUPPLIED BY CONTRACTOR TO BE STAINLESS STEEL.
 2. INSTALL PER MANUFACTURER'S SPECIFICATIONS.
 3. SURFACE MOUNT ANCHORING TO BE USED WITH CORROSION-RESISTANT HARDWARE W/ 13/32" DIA. HOLES WITH COUNTERBORE PROVIDED FOR SOCKET HEAD CAP SCREWS.



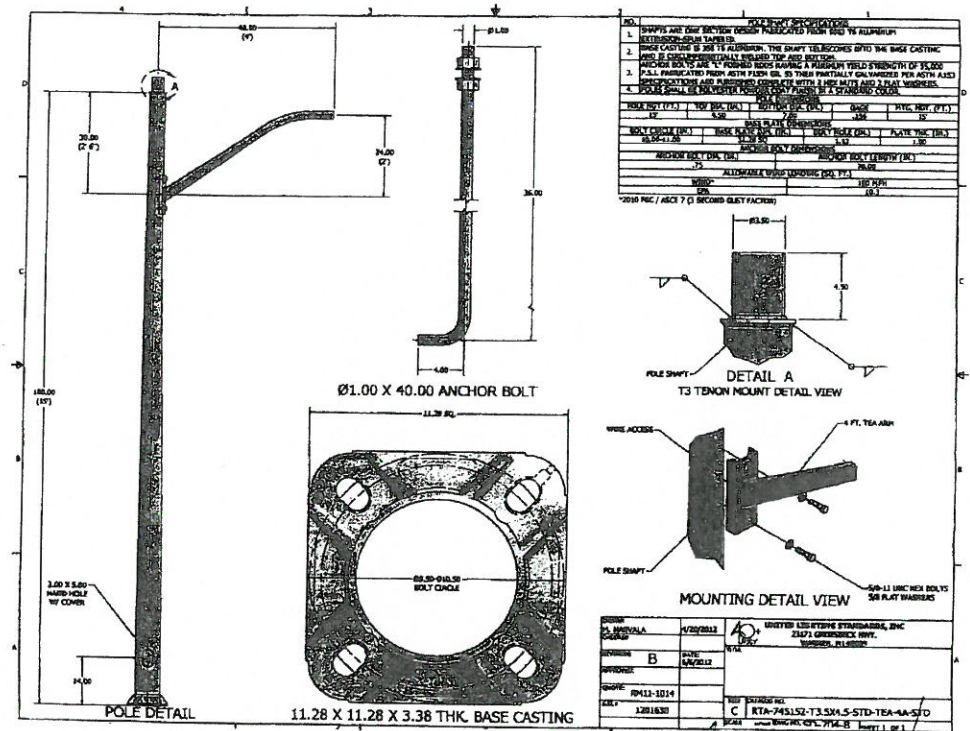
BENCH DETAIL (N.T.S.)



BENCH ATTACHMENT DETAIL (N.T.S.)

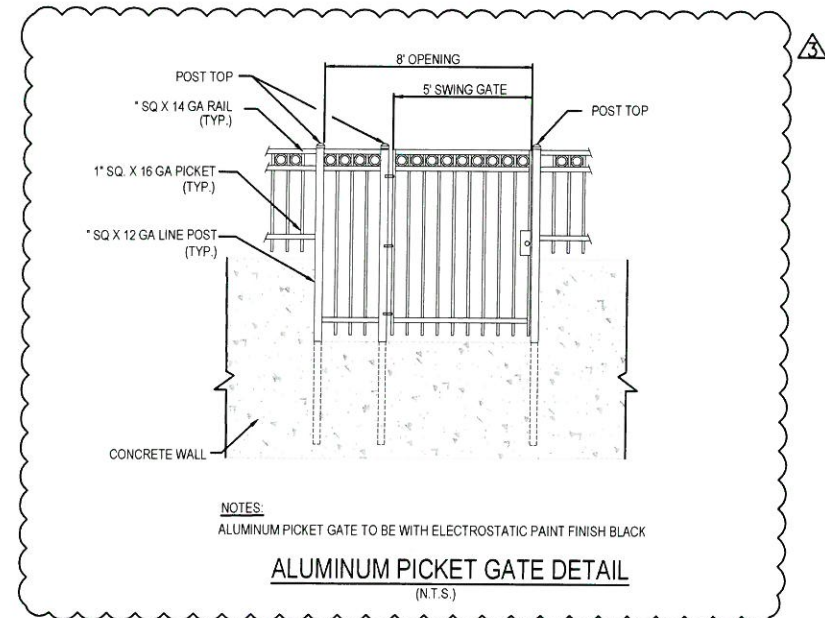


BENCH (PLAINWELL BENCH, 72" LENGTH, IPE WOOD SLAT PANELS WITH ALUMINUM CENTER ARM REST, COLOR: BLACK, SURFACE MOUNTED TO CONCRETE PAD)

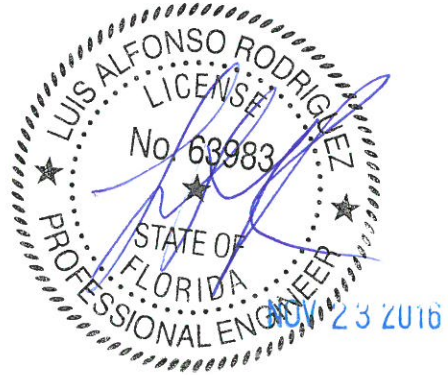


GENERAL LIGHTING NOTES:

1. GOVERNING STANDARDS AND SPECIFICATIONS ARE: THE DESIGN STANDARDS OF 2013, THE FLORIDA DEPARTMENT OF TRANSPORTATION STANDARD SPECIFICATIONS FOR ROAD AND BRIDGE CONSTRUCTION, THE 2005 NATIONAL ELECTRIC CODE, NATIONAL ELECTRICAL SAFETY CODE OR LATER EDITION AND LOCAL CODES WHICH EXCEEDS THESE SPECIFICATIONS.
2. GROUND RODS ARE TO BE LOCATED AT EACH PULL BOX ASSOCIATED WITH A LIGHTING POLE. THE MIAMI-DADE PUBLIC WORKS STANDARDS REQUIRES A 5/8" X 20" COPPER CLAD STEEL GROUNDING ELECTRODE.
3. ALL GROUNDING CONNECTIONS SHALL BE EXOTHERMICALLY WELDED AS PER FDOT SPECIFICATIONS SECTION 715-11 AND MIAMI-DADE COUNTY MAINTENANCE AGENCY NEW SPECIFICATIONS.
4. LIGHT POLES SHALL BE GROUNDED WITH INSULATED GREEN THW CONDUCTORS RUNNING INSIDE THE CONDUIT.
5. THE CONTRACTOR SHALL CHECK THE CONTINUITY OF GROUNDING CONDUCTOR USING MEGGER OR EQUAL LOW RESISTANCE/HIGH CAPACITY OHMMETER CALIBRATED WITHIN THE PAST 180 DAYS. A NEUTRAL/GROUND LOOP RESISTANCE OF MORE THAN 0.5 OHMS-PER THOUSAND FEET SHALL BE CONSIDERED INADEQUATE.
6. PULL BOX COVER SHALL BE BOLTED TO THE PULL BOX USING A TAMPER PROOF NUT.
7. THE CONTRACTOR SHALL CONSTRUCT CONCRETE SLABS AROUND ALL PULL BOXES LOCATED IN UNPAVED/GRASS AREA, SEE INDEX 17500 FOR DETAILS AND NOTES
8. CONTRACTOR IS RESPONSIBLE FOR LOCATING AND PROTECTING EXISTING UTILITIES PRIOR TO CONSTRUCTION.
9. LUMINAIRE SHALL BE A 40 WATT CARMANAH EVERGEN SOLAR LED SERIES 1710 WITH A MOUNTING HEIGHT OF 15 FT.
10. FOUNDATION TO BE DESIGNED BY A FLORIDA LICENSED PROFESSIONAL ENGINEER

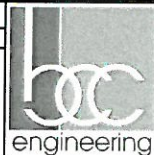


NOTES:
ALUMINUM PICKET GATE TO BE WITH ELECTROSTATIC PAINT FINISH BLACK



REVISIONS

DATE	BY	DESCRIPTION	DATE	BY	DESCRIPTION
11/23/2016	AC	ADDED ALUMINUM PICKET GATE DETAIL			



Luis A. Rodriguez, P.E.
Florida License No. 63983
6401 SW 87th Avenue, Suite 200
Miami, Florida 33173
Phone: (305) 670-2350
Fax: (305) 670-2351
Certificate of Authorization No. 7184

CITY OF MIAMI
CAPITAL IMPROVEMENTS PROGRAM

PROJECT NAME: MIAMI WOMAN'S CLUB SEAWALL & BAYWALK
PROJECT ID: B-30731

ENGINEERING DETAILS

SHEET NO.

7

GENERAL NOTES

- THE GOVERNING CODE FOR THIS PROJECT IS THE FLORIDA BUILDING CODE, 2010 EDITION. THIS CODE PRESCRIBES WHICH EDITION OF EACH REFERENCED STANDARD APPLIES TO THIS PROJECT.
- TO THE BEST OF OUR KNOWLEDGE, THE STRUCTURAL DRAWINGS COMPLY WITH THE APPLICABLE REQUIREMENTS OF THE GOVERNING BUILDING CODE.
- CONSTRUCTION IS TO COMPLY WITH THE REQUIREMENTS OF THE GOVERNING BUILDING CODE AND ALL OTHER APPLICABLE FEDERAL, STATE, AND LOCAL CODES, STANDARDS, REGULATIONS AND LAWS.
- THE STRUCTURAL DOCUMENTS ARE TO BE USED IN CONJUNCTION WITH THE CIVIL DOCUMENTS. IF A CONFLICT EXISTS, THE MORE STRINGENT GOVERNS.
- DETAILS LABELED "TYPICAL" APPLY TO ALL SITUATIONS THAT ARE THE SAME OR SIMILAR TO THOSE SPECIFICALLY REFERENCED, WHETHER OR NOT THEY ARE KEYED IN AT EACH LOCATION. QUESTIONS REGARDING THE APPLICABILITY OF TYPICAL DETAILS SHALL BE RESOLVED BY THE ENGINEER.
- CONTRACTORS WHO DISCOVER DISCREPANCIES, OMISSIONS OR VARIATIONS IN THE CONTRACT DOCUMENTS DURING BIDDING OR CONSTRUCTION SHALL IMMEDIATELY NOTIFY THE ENGINEER. THE ENGINEER WILL RESOLVE THE CONDITION AND ISSUE A WRITTEN CLARIFICATION.
- THE GENERAL CONTRACTOR SHALL COORDINATE ALL CONTRACT DOCUMENTS WITH FIELD CONDITIONS AND DIMENSIONS AND PROJECT SHOP DRAWINGS PRIOR TO CONSTRUCTION. DO NOT SCALE DRAWINGS; USE ONLY PRINTED DIMENSIONS. REPORT ANY DISCREPANCIES IN WRITING TO THE ENGINEER PRIOR TO PROCEEDING WITH WORK. DO NOT CHANGE SIZE OR LOCATION OF STRUCTURAL MEMBERS WITHOUT WRITTEN INSTRUCTIONS FROM THE STRUCTURAL ENGINEER OF RECORD.
- THE CONTRACTOR SHALL PROTECT ADJACENT PROPERTY, HIS OWN WORK AND THE PUBLIC FROM HARM. THE CONTRACTOR IS SOLELY RESPONSIBLE FOR CONSTRUCTION MEANS AND METHODS, AND JOBSITE SAFETY INCLUDING ALL OSHA REQUIREMENTS.
- THE STRUCTURE IS DESIGNED TO BE STRUCTURALLY SOUND WHEN COMPLETED. PRIOR TO COMPLETION, THE CONTRACTOR IS RESPONSIBLE FOR STABILITY AND TEMPORARY BRACING. WHEREVER THE CONTRACTOR IS UNSURE OF THESE REQUIREMENTS, THE CONTRACTOR SHALL RETAIN A FLORIDA LICENSED ENGINEER TO DESIGN AND INSPECT THE TEMPORARY BRACING AND STABILITY OF THE STRUCTURE.

DESIGN SUPERIMPOSED LOADS:

OCCUPANCY	LIVE LOAD	DEAD LOAD
WALKWAY	100 PSF	25 PSF (RIVER ROCK ADJACENT TO CURB)

DESIGN WIND LOADS

GOVERNING CODE	ASCE 7-10
BASIC WIND SPEED	V = 175 MPH
RISK CATEGORY	II
DIRECTIONALITY FACTOR	KD = 0.85
EXPOSURE - MWFRS	D
INTERNAL PRESSURE COEFFICIENT	GCFI = 0.55
MEAN ROOF HEIGHT	5 FEET

SHOP DRAWINGS AND OTHER SUBMITTALS

- SUBMIT SPECIFIC COMPONENTS, SUCH AS BEAMS, PLANKS, ETC., IN A SINGLE PACKAGE.
- ON FIRST SUBMITTAL, CLEARLY FLAG AND CLOUD ALL DIFFERENCES FROM THE CONTRACT DOCUMENTS. ON RESUBMITTALS, FLAG AND CLOUD ALL CHANGES AND ADDITIONS TO PREVIOUS SUBMITTAL; ONLY CLOUDED ITEMS WILL BE REVIEWED.
- SUBMITTALS FOR SPECIAL STRUCTURAL, LOAD-CARRYING ITEMS THAT ARE REQUIRED BY CODES OR STANDARDS TO RESIST FORCES MUST BE PREPARED BY, OR UNDER THE DIRECT SUPERVISION OF, A DELEGATED ENGINEER. EXAMPLES INCLUDE PRECAST, PRESTRESSED CONCRETE PLANK AND PRECAST, PRESTRESSED CONCRETE PILES.
- A DELEGATED ENGINEER IS DEFINED AS A FLORIDA LICENSED ENGINEER WHO SPECIALIZES IN AND UNDERTAKES THE DESIGN OF STRUCTURAL COMPONENTS OR STRUCTURAL SYSTEMS INCLUDED IN A SPECIFIC SUBMITTAL PREPARED FOR THIS PROJECT AND IS AN EMPLOYEE OR OFFICER OF, OR CONSULTANT TO, THE CONTRACTOR OR FABRICATOR RESPONSIBLE FOR THE SUBMITTAL. THE DELEGATED ENGINEER SHALL SIGN, SEAL AND DATE THE SUBMITTAL, INCLUDING CALCULATIONS AND DRAWINGS.
- THE TRADE CONTRACTOR IS RESPONSIBLE FOR CONFIRMING AND CORRELATING DIMENSIONS AT THE JOB SITES, FOR TOLERANCES, CLEARANCES, QUANTITIES, FABRICATION PROCESSES AND TECHNIQUES OF CONSTRUCTION, COORDINATION OF THE WORK WITH OTHER TRADES AND FULL COMPLIANCE WITH THE CONTRACT DOCUMENTS.
- THE GENERAL CONTRACTOR/CONSTRUCTION MANAGER SHALL REVIEW AND APPROVE SUBMITTALS AND SHALL SIGN AND DATE EACH DRAWING PRIOR TO SUBMITTING TO THE ARCHITECT. THIS APPROVAL IS TO CONFIRM THAT THE SUBMITTAL IS COMPLETE, COMPLIES WITH THE SUBMITTAL REQUIREMENTS AND IS COORDINATED WITH FIELD DIMENSIONS, OTHER TRADES, ERECTION SEQUENCING AND CONSTRUCTABILITY.
- THE STRUCTURAL ENGINEER REVIEWS SUBMITTALS TO CONFIRM THAT THE SUBMITTAL IS IN GENERAL CONFORMANCE WITH THE DESIGN CONCEPT PRESENTED IN THE CONTRACT DOCUMENTS. QUANTITIES AND DIMENSIONS ARE NOT CHECKED. NOTATIONS ON SUBMITTALS DO NOT AUTHORIZE CHANGES TO THE CONTRACT SUM. CHECKING OF THE SUBMITTAL BY THE STRUCTURAL ENGINEER SHALL NOT RELIEVE THE CONTRACTOR OF RESPONSIBILITY FOR DEVIATIONS FROM THE CONTRACT DOCUMENTS AND FROM ERRORS OR OMISSIONS IN THE SUBMITTAL.
- IN ADDITION TO THE ABOVE, THE STRUCTURAL ENGINEER'S REVIEW OF DELEGATED ENGINEER SUBMITTALS IS LIMITED TO VERIFYING THAT THE SPECIFIED STRUCTURAL SUBMITTAL HAS BEEN FURNISHED, SIGNED AND SEALED BY THE DELEGATED ENGINEER AND THAT THE DELEGATED ENGINEER HAS UNDERSTOOD THE DESIGN INTENT AND USED THE SPECIFIED STRUCTURAL CRITERIA. NO DETAILED CHECK OF CALCULATIONS WILL BE MADE. THE DELEGATED ENGINEER IS SOLELY RESPONSIBLE FOR HIS/HER DESIGN, INCLUDING BUT NOT LIMITED TO THE ACCURACY OF HIS/HER CALCULATIONS AND COMPLIANCE WITH THE APPLICABLE CODES AND STANDARDS.

DRIVEN PILES

- FOUNDATION DESIGN IS BASED ON GEOTECHNICAL INVESTIGATION, DATA, AND RECOMMENDATIONS IN REPORT #21172 BY GEOSOL DATED JANUARY 11, 2012.
- STRUCTURAL DESIGN OF PILES SHALL BE BY A DELEGATED ENGINEER IN ACCORDANCE WITH FLORIDA BUILDING CODE SECTION 1825 AND ACI 543R-12.
- USE THE FOLLOWING PRECAST PRESTRESSED CONCRETE PILES:

PILE SIZE	MIN. LONGITUDINAL STRANDS	BEARING CAPACITY	LATERAL CAPACITY	MAX. CASTING LENGTH
14X14	4-7/16"	15 TONS	2 TONS	30'

USE ASTM A-416, 7 WIRE STRANDS. CONFINE WITH NO. 5 GAGE SPIRAL TIES WITH EACH END HAVING 5 TURNS AT 1" PITCH, 16 TURNS AT 3" PITCH AND THE INTERIOR TURNS AT 8" PITCH.

- CONCRETE STRENGTH SHALL BE MINIMUM 3000 PSI AT RELEASE AND MINIMUM 5000 PSI AT TIME OF DRIVING.
- INSTALL AND MONITOR PILES IN ACCORDANCE WITH SECTION 455.B OF THE FLORIDA DEPARTMENT OF TRANSPORTATION STANDARD SPECIFICATIONS FOR ROAD AND BRIDGE CONSTRUCTION AND IN ACCORDANCE WITH GEOTECHNICAL REPORT.
- INSTALL PILES IN PERFORMED HOLES, AS INDICATED IN GEOTECHNICAL REPORT.
- PILE HAMMER AND ASSOCIATED EQUIPMENT SHALL BE LOCATED LANDWARD OF EXISTING RETAINING WALL.
- CENTER SINGLE PILES UNDER BEAMS. PLACE ALL PILES WITHIN 3" OF SPECIFIED LOCATION AND 2% OF PLUMBNESS.
- PROVIDE A SURVEY OF AS-BUILT PILE LOCATIONS. REFERENCE ALL PILES TO THEIR LOCATION SPECIFIED ON THE STRUCTURAL DRAWINGS AND FLAG ALL PILES WHICH EXCEED ALLOWABLE TOLERANCE OR ARE DAMAGED. SUBMIT SURVEY AT LEAST 48 HOURS PRIOR TO POURING AFFECTED BEAMS.

EXCAVATION AND BACKFILL

- THE CONTRACTOR IS SOLELY RESPONSIBLE FOR ALL EXCAVATION PROCEDURES INCLUDING LAGGING, SHORING, AND PROTECTION OF ADJACENT PROPERTY, STRUCTURES, STREETS AND UTILITIES IN ACCORDANCE WITH THE REQUIREMENTS OF THE LOCAL BUILDING DEPARTMENT AND OSHA REGULATIONS. DO NOT EXCAVATE WITHIN ONE FOOT OF THE ANGLE OF REPOSE OF ANY SOIL BEARING FOUNDATION UNLESS THE FOUNDATION IS PROPERLY PROTECTED AGAINST SETTLEMENT.
- DO NOT BACKFILL AGAINST NEW RETAINING WALLS UNTIL 7 DAYS AFTER THE WALLS ARE BRACED BY THE STRUCTURE OR ARE TEMPORARILY BRACED.

SLABS ON GRADE

- REFER TO GEOTECHNICAL REPORT FOR SUBGRADE PREPARATION MORE THAN 12" BELOW BOTTOM OF SLAB.
- ABOVE SUBGRADE, USE FILL CONTAINING NOT MORE THAN 10% PASSING #200 SIEVE AND MAXIMUM 1 INCH DIAMETER. COMPACT TO 95% OF MAXIMUM DRY DENSITY AS DETERMINED BY MODIFIED PROCTOR ASTM D-1557. EACH LAYER OF FILL SHALL NOT EXCEED 6" LOOSE THICKNESS. COMPACT PRIOR TO PLACEMENT OF THE NEXT LAYER.
- FILL PLACEMENT AND COMPACTION SHALL BE MONITORED AND ACCEPTED BY THE TESTING AGENCY. TAKE A MINIMUM OF TWO FIELD DENSITY TESTS (ASTM D-1556 OR D-2922). THE TESTING AGENCY SHALL RANDOMLY SELECT TEST LOCATIONS.
- DO NOT USE ANY POLYETHYLENE SHEETING BELOW EXTERIOR CONCRETE SLABS.
- USE WELDED WIRE REINFORCEMENT SUPPLIED IN FLAT SHEETS ONLY. USE CHAIRS TO SUPPORT WIRE FABRIC IN THE CENTER OF SLAB.
- PROVIDE CRACK CONTROL JOINTS AT 10 FEET MAXIMUM TO LIMIT AREAS BETWEEN JOINTS TO 100 SQ. FT. IN ALL FLOATING SLABS ON GRADE.

REINFORCED CONCRETE

- COMPLY WITH ACI 301-10 AND ACI 318-08.
 - PROVIDE STRUCTURAL CONCRETE WITH A MINIMUM ULTIMATE COMPRESSIVE DESIGN STRENGTH IN 28 DAYS AS FOLLOWS:
- | ELEMENT | STRENGTH |
|------------------------|--|
| FOOTINGS | 4,000 PSI |
| WALLS | 4,000 PSI |
| ELEVATED SLABS & BEAMS | 5,000 PSI MAX. W/C=0.40 MAX. CHLORIDE ION CONTENT=0.15 |
| SLABS ON GRADE | 4,000 PSI |
- ELEVATED SLAB INCLUDES BACKUP SPAN CAST ON GRADE.

- USE NORMAL WEIGHT CONCRETE FOR ALL STRUCTURAL MEMBERS.
 - PROVIDE ASTM A-615 GRADE 60 REINFORCING STEEL. REINFORCING SHALL BE ACCURATELY PLACED, RIGIDLY SUPPORTED AND FIRMLY TIED IN PLACE, WITH APPROPRIATE BAR SUPPORTS AND SPACERS. LAP CONTINUOUS REINFORCING 48 BAR DIA. LAP BOTTOM STEEL OVER SUPPORTS AND TOP STEEL AT MIDSPAN (U.O.N.). HOOK DISCONTINUOUS ENDS OF ALL TOP BARS. PROVIDE COVER OVER REINFORCING AS FOLLOWS:
- | ELEMENT | BOTTOM | TOP | SIDES |
|------------------------|--------|--------|--------|
| FOOTINGS | 3" | 2" | 3" |
| ELEVATED SLABS & BEAMS | 1-1/2" | 1-1/2" | 1-1/2" |
| SLABS ON GRADE | 3" | 2" | 2" |
| WALLS RETAINING FILL | - | - | 2" |
- WHERE SPECIFIED, PROVIDE PLAIN, COLD-DRAWN ELECTRICALLY-WELDED WIRE REINFORCEMENT CONFORMING TO ASTM A-185. SUPPLY IN FLAT SHEETS ONLY. LAP SPLICE ONE CROSS WIRE SPACING PLUS TWO INCHES.
 - PROVIDE CONSTRUCTION JOINTS IN ACCORDANCE WITH ACI 318, SECTION 6.4. PROVIDE KEYWAYS AND ADEQUATE DOWELS. SUBMIT DRAWINGS SHOWING LOCATION OF CONSTRUCTION JOINTS AND DIRECTION OF POUR FOR REVIEW.
 - PROVIDE 3/4" CHAMFER FOR ALL EXPOSED CORNERS.
 - PROVIDE REINFORCING STEEL PLACER WITH A SET OF STRUCTURAL DRAWINGS FOR FIELD REFERENCE. INSPECT REINFORCING STEEL PLACING FROM STRUCTURAL DRAWINGS.
 - CONCRETE COLOR SHALL BE STANDARD GRAY (NO PIGMENTS REQUIRED).
 - CONCRETE SHALL BE BRUSH FINISHED IN ACCORDANCE WITH SECTION 408-8 OF THE CITY OF MIAMI STANDARD SPECIFICATIONS FOR PUBLIC WORKS PROJECTS.

DEMOLITION

- SAWCUT PORTION OF EXISTING RETAINING WALL TO BE REMOVED. PROVIDE NETTING ON SEAWARD SIDE OF WALL TO PREVENT DEBRIS FROM FALLING INTO BAY.
- AT ALL LOCATIONS WHERE THE DEMOLITION OF A CONCRETE MEMBER LEAVES THE ENDS OF REINFORCING STEEL EXPOSED, CHIP CONCRETE AROUND THE STEEL TO A DEPTH OF 1", CUT OFF REINFORCING STEEL 1/2" BELOW THE CONCRETE SURFACE AND FILL THE CAVITY FLUSH WITH A CEMENTITIOUS REPAIR MORTAR.
- REMOVE COMPLETELY FROM THE SITE AND LEGALLY DISPOSE OF ALL DEBRIS GENERATED BY THE DEMOLITION WORK.

EXPANSION ANCHORS

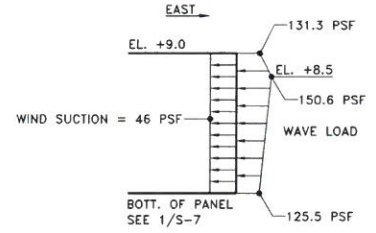
- USE WEDGE-TYPE EXPANSION ANCHORS SUCH AS THE HILTI KWIK BOLT II, ITW RAMSET RED HEAD TRIBOLT WEDGE, POWERS RAWL POWER-STUD, SIMPSON STRONG-TIE WEDGE-ALL OR ACCEPTED EQUIVALENT. FOLLOW MANUFACTURER'S SPECIFICATIONS FOR USE AND INSTALLATION.
- CONFIRM THE ABSENCE OF REINFORCING STEEL BY DRILLING A 1/4" DIAMETER PILOT HOLE FOR EACH ANCHOR. DO NOT CUT REINFORCING STEEL WITHOUT APPROVAL OF THE STRUCTURAL ENGINEER.
- PROVIDE ANCHOR EMBEDMENT, SPACING AND EDGE DISTANCE AS SHOWN ON THE DRAWINGS.

CHEMICAL ADHESIVE FOR ANCHORING REINFORCING BARS, THREADED BARS AND ANCHOR BOLTS

- USE AN EPOXY, ACRYLIC OR POLYESTER RESIN ADHESIVE SYSTEM SUCH AS THE HILTI HIT HY150, ITW RAMSET/RED HEAD EPON A7 OR C6 INJECTION SYSTEM, POWERS RAWL POWER-FAST SYSTEM, SIMPSON STRONG-TIE AT OR ET, ALLIED FASTENER ALLIED GOLD A-1000, OR ACCEPTED EQUIVALENT. FOLLOW MANUFACTURER'S SPECIFICATIONS FOR USE AND INSTALLATION.
- CONFIRM THE ABSENCE OF REINFORCING STEEL BY DRILLING A 1/4" DIAMETER PILOT HOLE FOR EACH ANCHOR. DO NOT CUT REINFORCING STEEL WITHOUT APPROVAL OF THE STRUCTURAL ENGINEER.
- REFER TO MANUFACTURER'S INSTALLATION INSTRUCTIONS FOR APPROPRIATE DRILL SIZE. THOROUGHLY CLEAN HOLE INCLUDING REMOVAL OF DUST PRIOR TO FILLING WITH EPOXY.
- PROVIDE ANCHOR EMBEDMENT, SPACING AND EDGE DISTANCE AS SHOWN ON THE DRAWINGS.
- THREADED RODS ARE A-36 GALVANIZED STEEL, U.O.N.

FLOOD PANEL

- CONTRACTOR SHALL FURNISH FLOOD PANEL TO BE INSTALLED AT LOCATION INDICATED ON PLAN DURING TROPICAL STORM / HURRICANE WARNINGS.
- PANEL SHALL BE DESIGNED BY A FLORIDA LICENSED DELEGATED ENGINEER RETAINED BY PANEL SUPPLIER. SUBMIT SIGNED AND SEALED SHOP DRAWINGS AND CALCULATIONS.
- PANEL DESIGN LOADS (UNFACTORED SERVICE LOADS):



NOTE: WIND LOAD AND WAVE LOAD SHALL BE CONSIDERED SIMULTANEOUSLY AND SHALL BE COMBINED AS PER ASCE 7-10.

RIP RAP

- RIP RAP SHALL BE FURNISHED IN ACCORDANCE WITH FLORIDA DEPARTMENT OF TRANSPORTATION STANDARD SPECIFICATIONS FOR ROAD AND BRIDGE CONSTRUCTION (2014), SECTION 530.
 - MATERIAL SHALL BE RUBBLE (BANK AND SHORE PROTECTION) IN ACCORDANCE WITH SECTION 530-2, AND SHALL BE FREE OF PROTRUDING STEEL.
 - INSTALLATION SHALL BE IN ACCORDANCE WITH SECTION 530-3.

STRUCTURAL SHEET LIST:

- S-1 GENERAL NOTES
- S-2 KEY PLAN
- S-3 to S-5 PLAN SHEETS
- S-6 & S-7 SECTIONS & DETAILS
- S-8 CONCRETE REPAIR DETAILS

REVISIONS

DATE	BY	DESCRIPTION	DATE	BY	DESCRIPTION
10/9/15	SG	△ RIP RAP CLARIFICATIONS			
11/23/16	SG	△ SOUTH PROPERTY LINE REVISION			



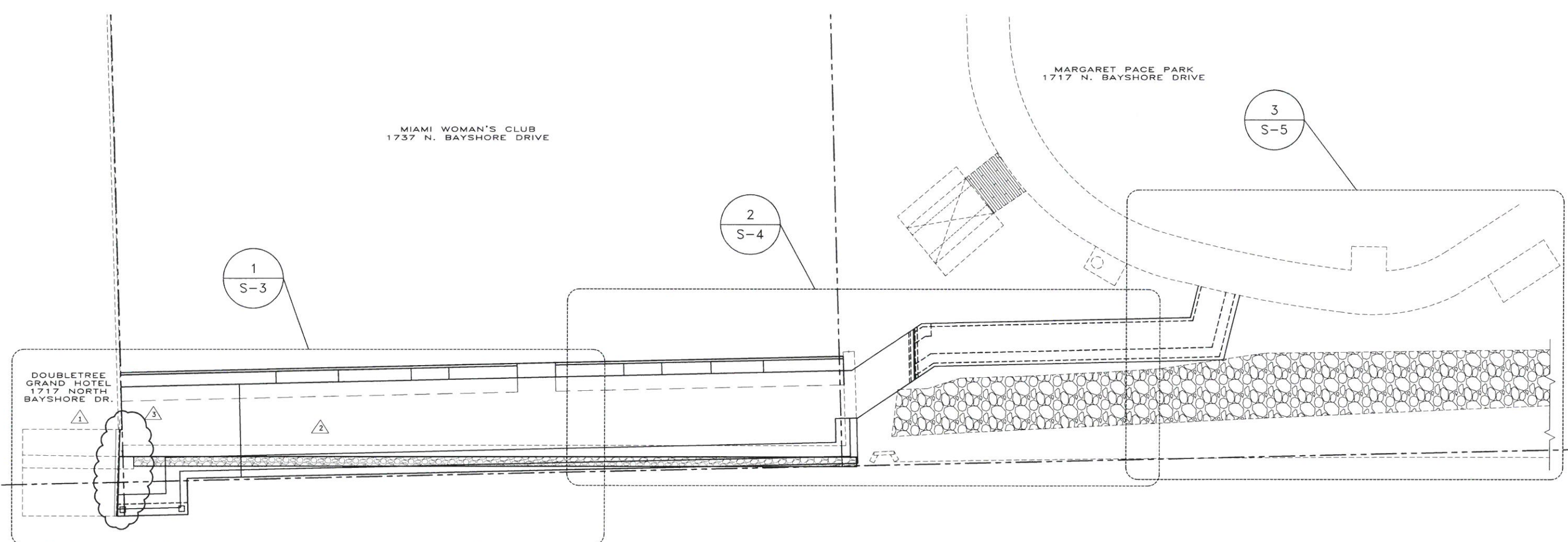
Steven Goldstein, P.E.
 Florida License No. 44423
 6401 SW 87th Avenue, Suite 200
 Miami, Florida 33173
 Phone: (305) 670-2350
 Fax: (305) 670-2351
 Certificate of Authorization No. 7184

CITY OF MIAMI CAPITAL IMPROVEMENTS PROGRAM	
PROJECT NAME	PROJECT ID
MIAMI WOMAN'S CLUB SEAWALL & BAYWALK	B-30731

STRUCTURAL NOTES

SHEET NO.
S-1





BISCAYNE BAY

KEY PLAN
SCALE: 1" = 20'-0"



GRAPHIC SCALE
SCALE: 1" = 20'-0"
0 10 20
Feet



REVISIONS					
DATE	BY	DESCRIPTION	DATE	BY	DESCRIPTION
8/3/15	SG	△ SOUTH PROPERTY LINE REVISION			
10/9/15	SG	△ RIP RAP CLARIFICATIONS			
11/23/15	SG	△ SOUTH PROPERTY LINE REVISION			



Steven Goldstein, P.E.
Florida License No. 44423
6401 SW 87th Avenue, Suite 200
Miami, Florida 33173
Phone: (305) 670-2350
Fax: (305) 670-2351
Certificate of Authorization No. 7184

CITY OF MIAMI
CAPITAL IMPROVEMENTS PROGRAM

PROJECT NAME	PROJECT ID
MIAMI WOMAN'S CLUB SEAWALL & BAYWALK	B-30731

KEY PLAN

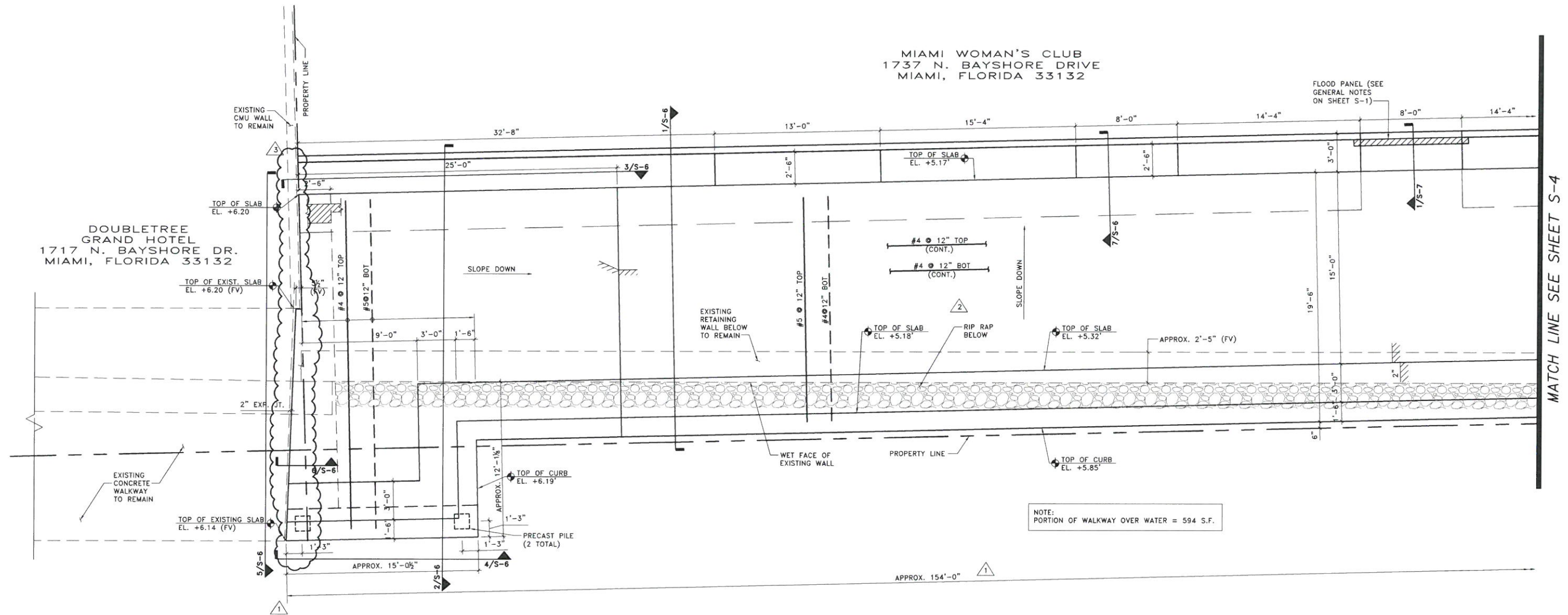
SHEET NO.

S-2

MIAMI WOMAN'S CLUB
1737 N. BAYSHORE DRIVE
MIAMI, FLORIDA 33132

FLOOD PANEL (SEE
GENERAL NOTES
ON SHEET S-1)

DOUBLETREE
GRAND HOTEL
1717 N. BAYSHORE DR.
MIAMI, FLORIDA 33132

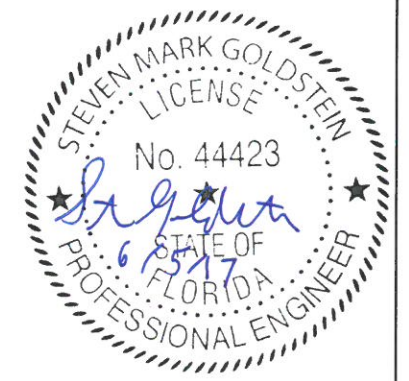
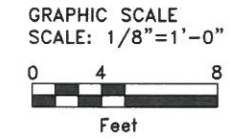


MATCH LINE SEE SHEET S-4

NOTE:
PORTION OF WALKWAY OVER WATER = 594 S.F.

BISCAYNE BAY

1 PLAN No. 1
SCALE: 1/8" = 1'-0"



REVISIONS					
DATE	BY	DESCRIPTION	DATE	BY	DESCRIPTION
8/3/15	SG	1 SOUTH PROPERTY LINE REVISION			
10/9/15	SG	2 RIP RAP CLARIFICATIONS			
11/23/16	SG	3 SOUTH PROPERTY LINE REVISION			



Steven Goldstein, P.E.
Florida License No. 44423
6401 SW 87th Avenue, Suite 200
Miami, Florida 33173
Phone: (305) 670-2350
Fax: (305) 670-2351
Certificate of Authorization No. 7184

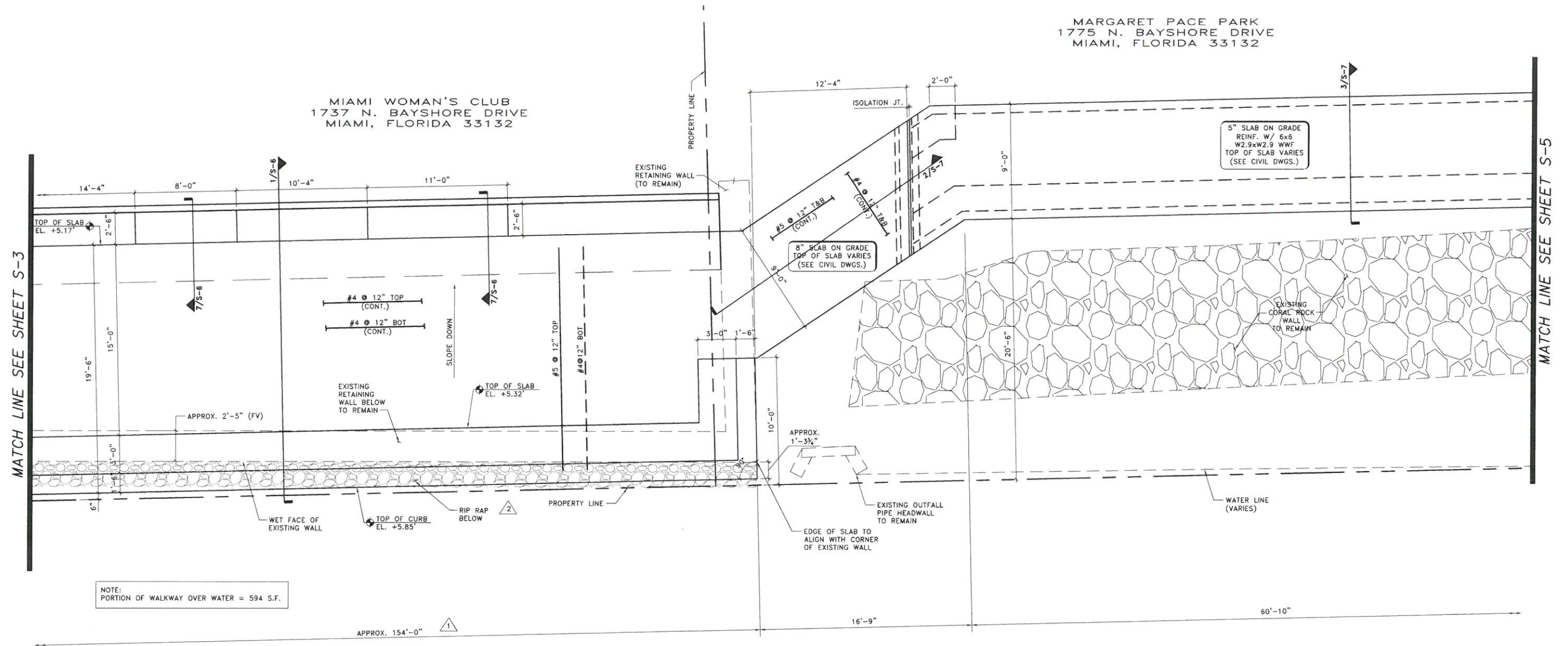
CITY OF MIAMI	
CAPITAL IMPROVEMENTS PROGRAM	
PROJECT NAME	PROJECT ID
MIAMI WOMAN'S CLUB SEAWALL & BAYWALK	B-30731

PLAN No. 1

SHEET
NO.
S-3

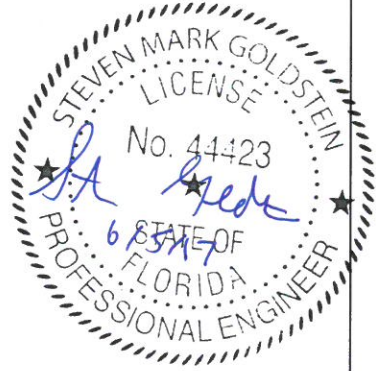
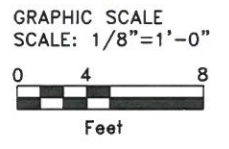
MARGARET PACE PARK
1775 N. BAYSHORE DRIVE
MIAMI, FLORIDA 33132

MIAMI WOMAN'S CLUB
1737 N. BAYSHORE DRIVE
MIAMI, FLORIDA 33132



NOTE:
PORTION OF WALKWAY OVER WATER = 594 S.F.

BISCAYNE BAY



REVISIONS					
DATE	BY	DESCRIPTION	DATE	BY	DESCRIPTION
8/3/15	SG	1 SOUTH PROPERTY LINE REVISION			
10/9/15	SG	2 RIP RAP CLARIFICATIONS			

Steven Goldstein, P.E.
Florida License No. 44423
6401 SW 87th Avenue, Suite 200
Miami, Florida 33173
Phone: (305) 670-2350
Fax: (305) 670-2351
Certificate of Authorization No. 7184

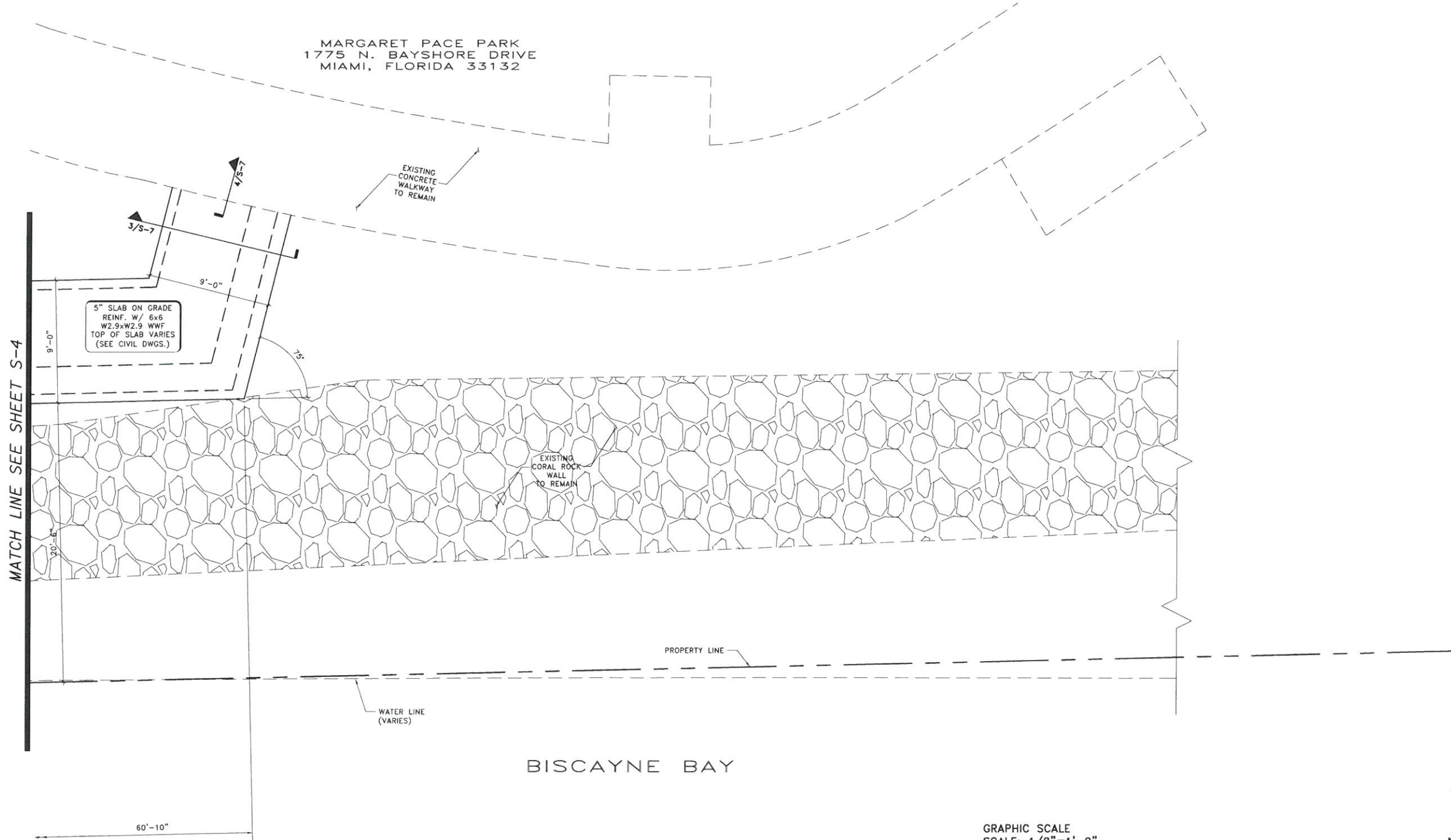
CITY OF MIAMI
CAPITAL IMPROVEMENTS PROGRAM

PROJECT NAME	PROJECT ID
MIAMI WOMAN'S CLUB SEAWALL & BAYWALK	B-30731

PLAN No. 2

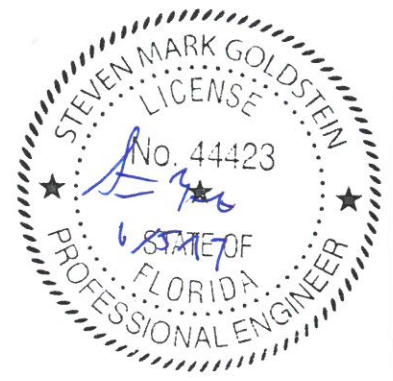
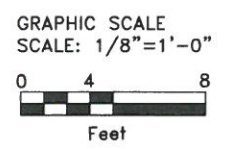
SHEET NO.
S-4

MARGARET PACE PARK
1775 N. BAYSHORE DRIVE
MIAMI, FLORIDA 33132



MATCH LINE SEE SHEET S-4

3 PLAN No. 3
SCALE: 1/8" = 1'-0"



REVISIONS					
DATE	BY	DESCRIPTION	DATE	BY	DESCRIPTION

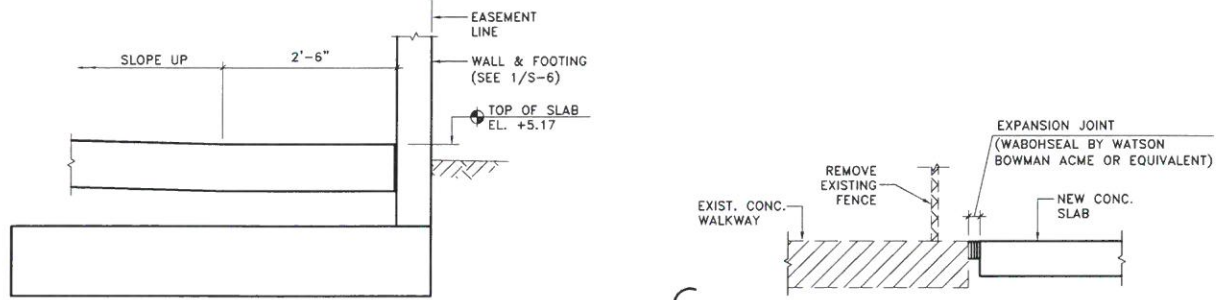
Steven Goldstein, P.E.
Florida License No. 44423
6401 SW 87th Avenue, Suite 200
Miami, Florida 33173
Phone: (305) 670-2350
Fax: (305) 670-2351
Certificate of Authorization No. 7184

CITY OF MIAMI	
CAPITAL IMPROVEMENTS PROGRAM	
PROJECT NAME	PROJECT ID
MIAMI WOMAN'S CLUB SEAWALL & BAYWALK	B-30731

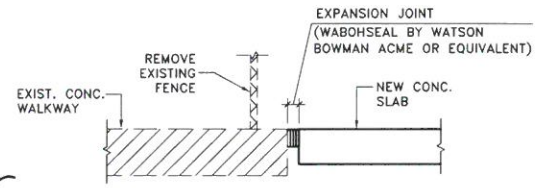
PLAN No. 3

SHEET
NO.

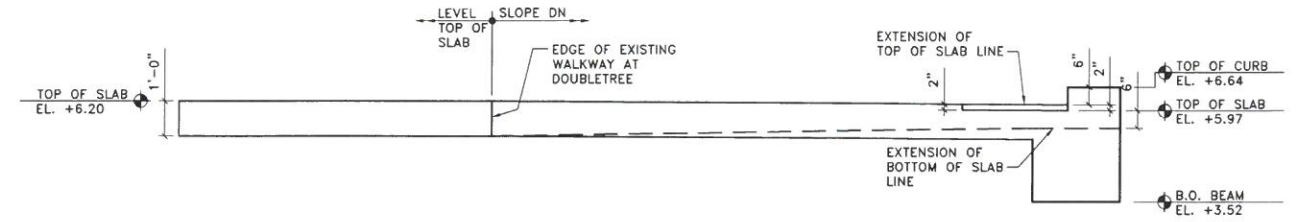
S-5



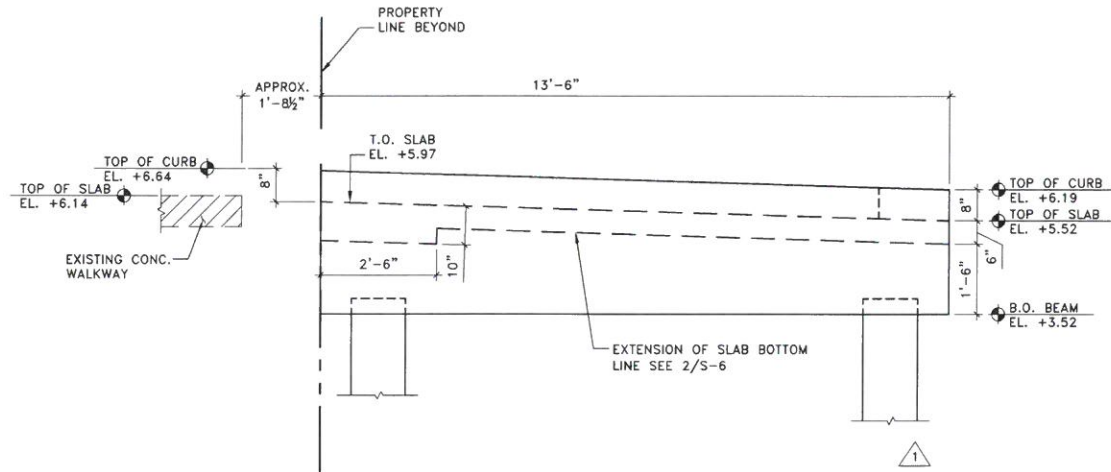
7 SECTION AT BENCH/TRASH RECEPTACLE SLAB
SCALE: 3/4" = 1'-0"



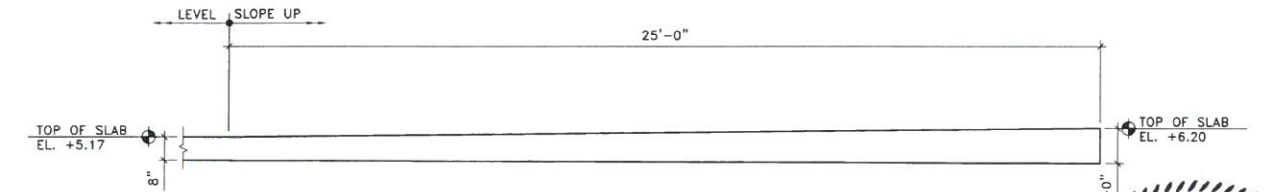
6 SECTION AT SOUTH PROPERTY LINE
SCALE: 3/4" = 1'-0"



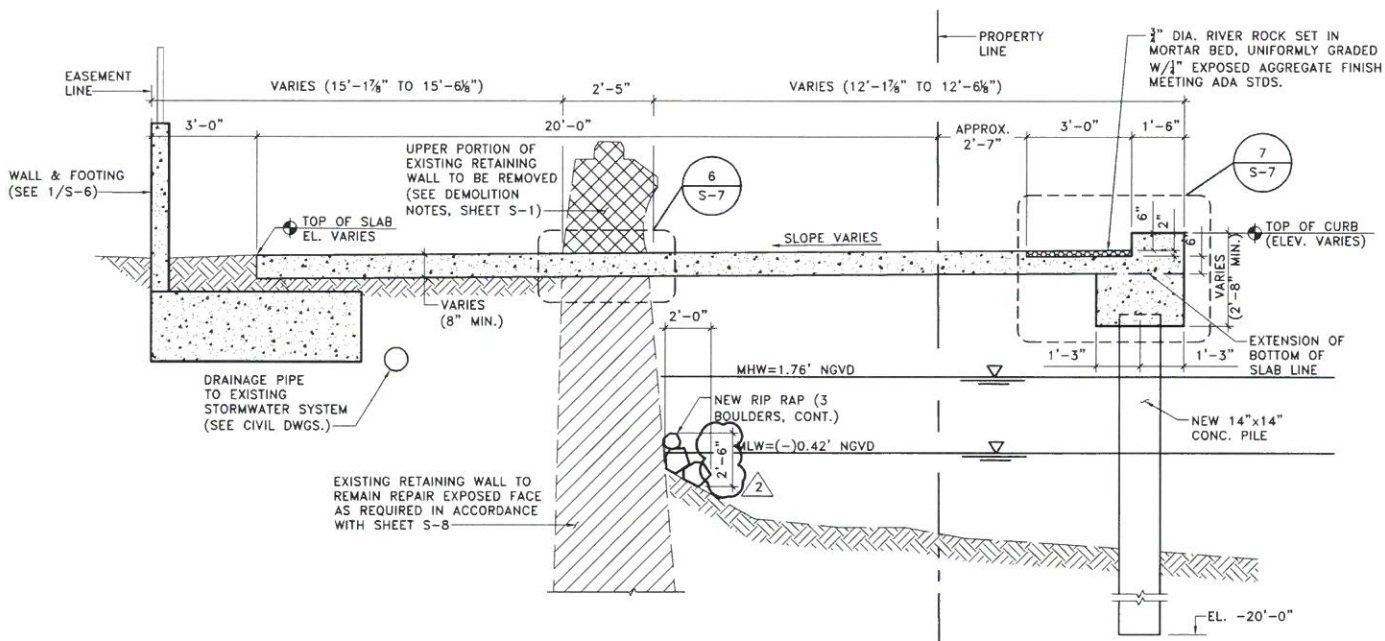
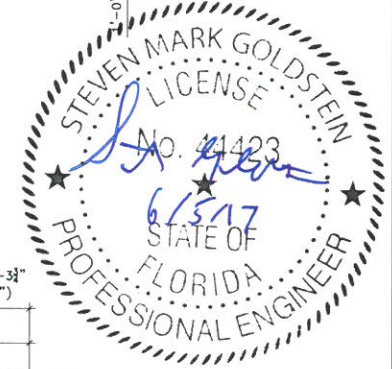
5 ELEVATION AT SOUTH WALKWAY EDGE
SCALE: 3/8" = 1'-0"



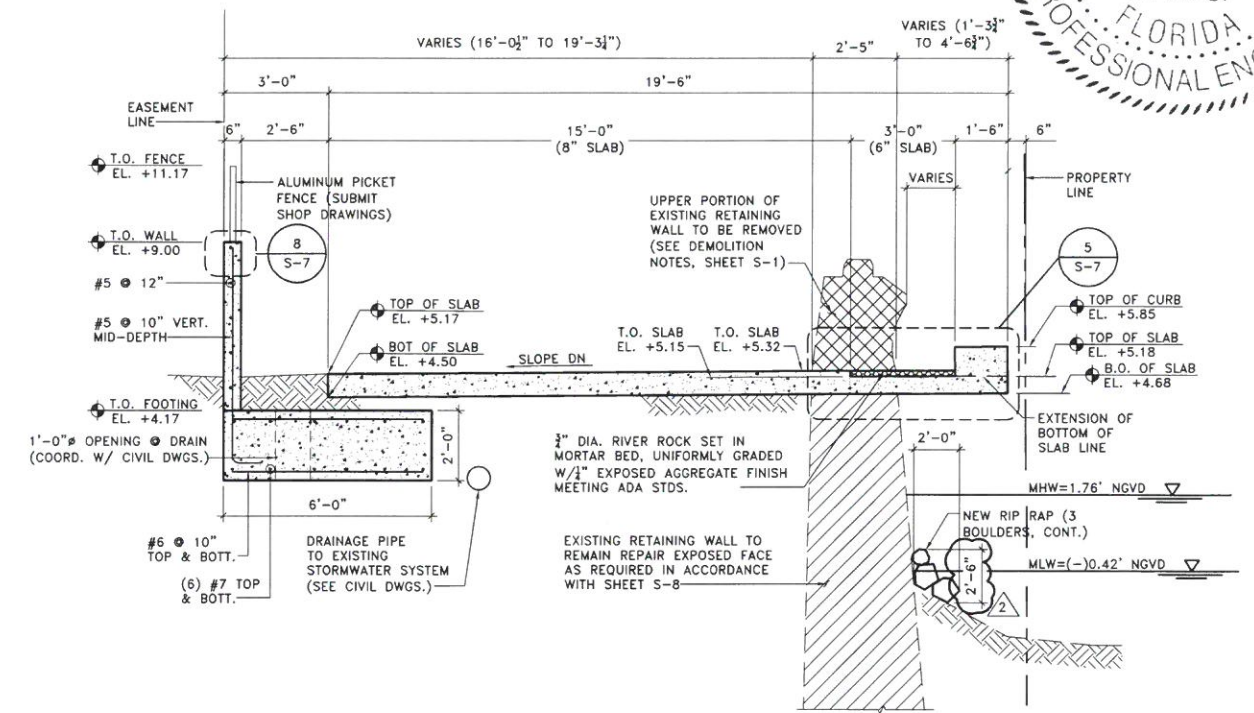
4 ELEVATION AT EAST WALKWAY EDGE
SCALE: 1/2" = 1'-0"



3 ELEVATION AT WEST WALKWAY EDGE
SCALE: 3/8" = 1'-0"



2 SECTION THROUGH WALKWAY TRANSITION AT DOUBLETREE/WOMAN'S CLUB
SCALE: 3/8" = 1'-0"



1 SECTION THROUGH WALKWAY AT MIAMI WOMAN'S CLUB
SCALE: 3/8" = 1'-0"

DATE		BY	DESCRIPTION	REVISIONS	
DATE	BY	DESCRIPTION	DATE	BY	DESCRIPTION
8/3/15	SG	1 SOUTH PROPERTY LINE REVISION			
10/9/15	SG	2 RIP RAP CLARIFICATIONS			
11/23/16	SG	3 SOUTH PROPERTY LINE REVISION			

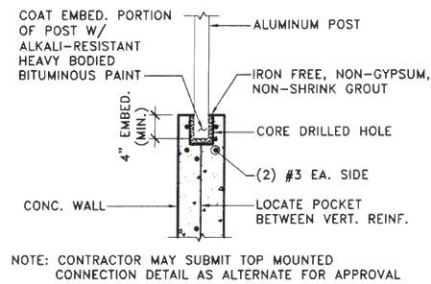
Steven Goldstein, P.E.
Florida License No. 44423
6401 SW 87th Avenue, Suite 200
Miami, Florida 33173
Phone: (305) 670-2350
Fax: (305) 670-2351
Certificate of Authorization No. 7184

CITY OF MIAMI
CAPITAL IMPROVEMENTS PROGRAM

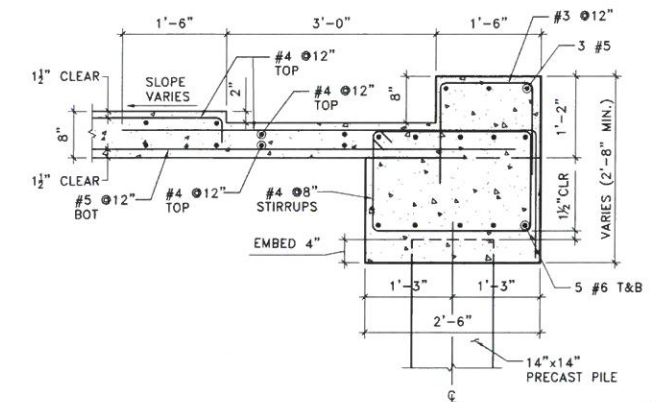
PROJECT NAME	PROJECT ID
MIAMI WOMAN'S CLUB SEAWALL & BAYWALK	B-30731

SECTIONS AND DETAILS

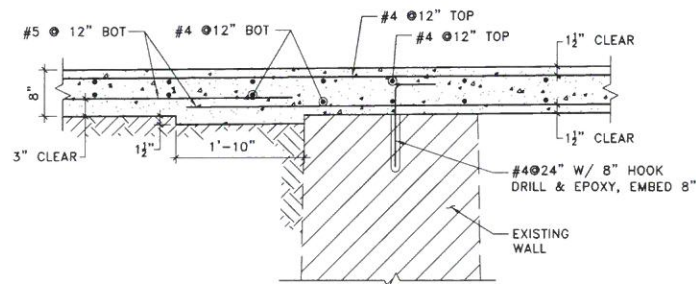
SHEET NO.
S-6



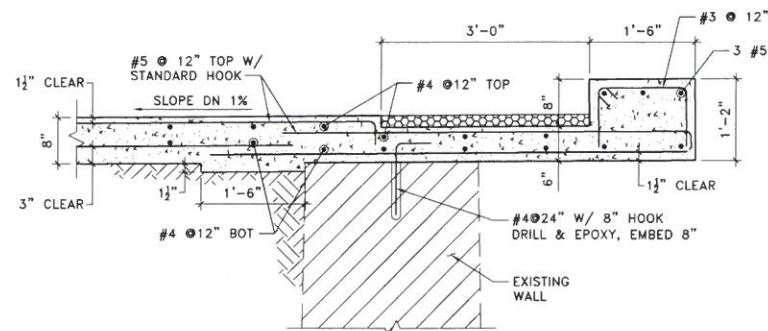
8 TOP OF WALL DETAIL
SCALE: 3/4" = 1'-0"



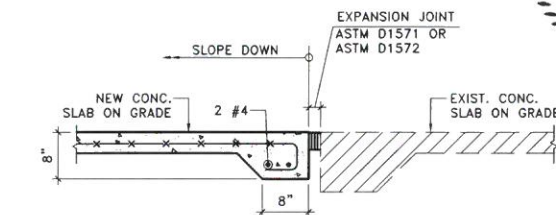
7 BEAM DETAIL
SCALE: 3/4" = 1'-0"



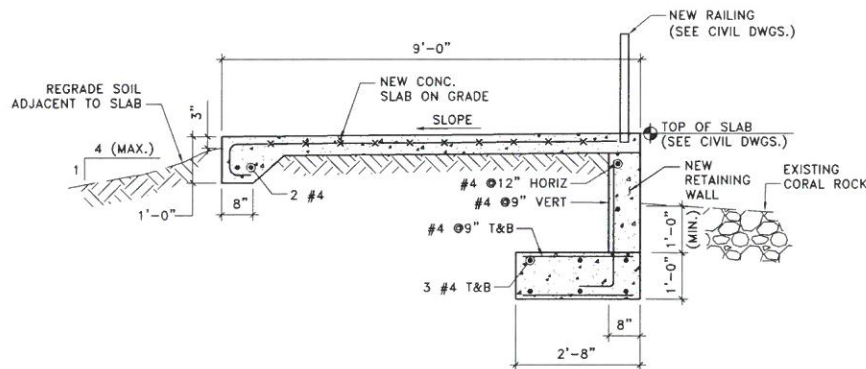
6 WALL CONNECTION DETAIL
SCALE: 3/4" = 1'-0"



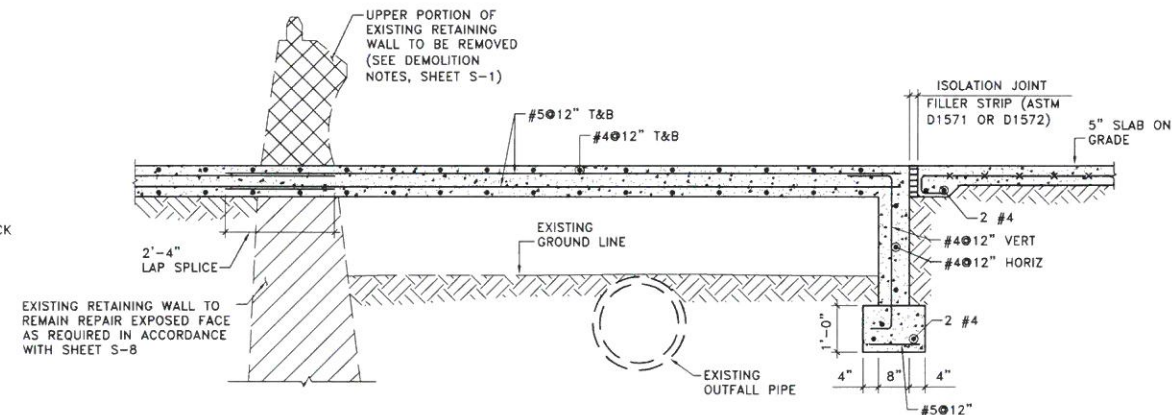
5 SLAB EDGE DETAIL
SCALE: 3/4" = 1'-0"



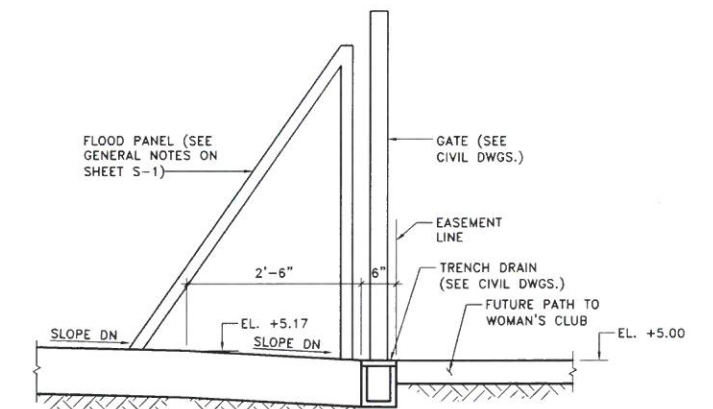
4 SECTION AT EXISTING WALKWAY
SCALE: 3/4" = 1'-0"



3 SECTION THROUGH WALKWAY ON GRADE
SCALE: 1/2" = 1'-0"



2 SECTION AT EXPANSION JOINT AT MARGARET PACE PARK
SCALE: 1/2" = 1'-0"



1 SECTION AT PATH TO WOMAN'S CLUB
SCALE: 3/4" = 1'-0"



REVISIONS					
DATE	BY	DESCRIPTION	DATE	BY	DESCRIPTION

Steven Goldstein, P.E.
Florida License No. 44423

6401 SW 87th Avenue, Suite 200
Miami, Florida 33173
Phone: (305) 670-2350
Fax: (305) 670-2351
Certificate of Authorization No. 7184

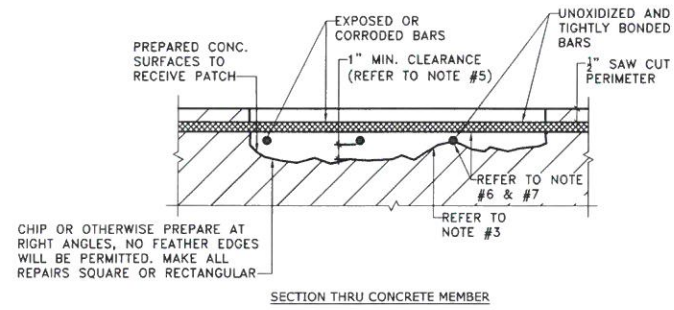
engineering

CITY OF MIAMI
CAPITAL IMPROVEMENTS PROGRAM

PROJECT NAME: MIAMI WOMAN'S CLUB SEAWALL & BAYWALK
PROJECT ID: B-30731

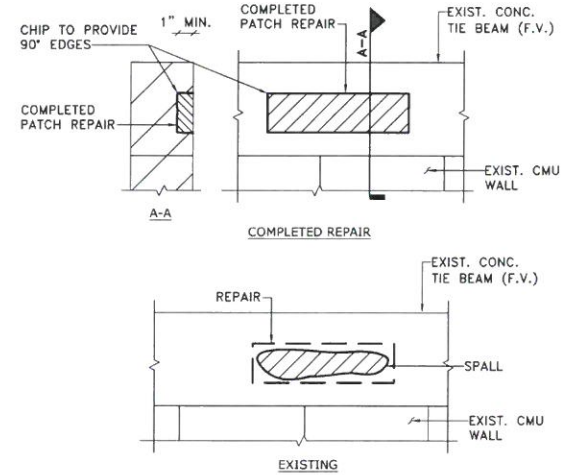
SECTIONS AND DETAILS

SHEET NO.
S-7



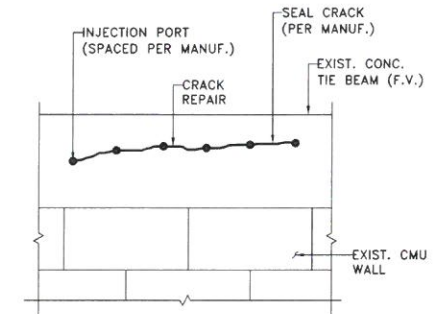
CONCRETE DELAMINATION/SPALL REPAIR NOTES: (WITH REINFORCEMENT)

1. PRIOR TO COMMENCING THE REPAIRS, CONTRACTOR SHALL FIELD VERIFY ALL EXISTING CONDITIONS AND NOTIFY ENGINEER OF RECORD OF ANY DISCREPANCIES.
2. PRIOR TO COMMENCING DEMOLITION, CONTRACTOR SHALL INSTALL SHORING AS SHOWN ON PLAN.
3. REMOVE DETERIORATED, POROUS, LOOSE, DELAMINATED CONCRETE ABOVE OXIDIZED REINFORCING STEEL. BEGIN WITH 1/2" DEEP SAWCUT OF PERIMETER. USE ONLY LIGHT ELECTRIC CHIPPING HAMMERS. NO HAMMER DRILLS. NO FEATHER EDGES PERMITTED. MAKE ALL REPAIRS SQUARE OR RECTANGULAR.
4. ONCE INITIAL REMOVALS ARE MADE, PROCEED WITH THE UNDERCUTTING OF ALL EXPOSED OXIDIZED (CORRODED) BARS.
5. PROVIDE MINIMUM 1" CLEARANCE BETWEEN EXPOSED REBARS AND SURROUNDING CONCRETE.
6. CONCRETE REMOVAL SHALL EXTEND ALONG THE BARS TO A LOCATION ALONG THE BARS FREE OF BOND INHIBITING CONDITIONS, AND WHERE THE BAR IS WELL BONDED TO SOUND, NON-POROUS SURROUNDING CONCRETE.
7. IF UNOXIDIZED REINFORCING STEEL IS EXPOSED DURING THE UNDERCUTTING PROCESS, CARE SHALL BE TAKEN NOT TO DAMAGE THE BAR'S BOND TO SURROUNDING CONCRETE. IF BOND BETWEEN BAR AND CONCRETE IS BROKEN, UNDERCUTTING OF THE BAR SHALL BE REQUIRED.
8. CONTRACTOR SHALL NOTIFY THE ENGINEER OF RECORD IF SECTION LOSS IS GREATER THAN 20% AND/OR MORE THAN 2" UNDERCUTTING OF THE REINFORCING IS NECESSARY.
9. SANDBLAST STEEL OR MECHANICALLY REMOVE CORROSION. SPLICE NEW BARS OF EQUAL SIZE WHERE GREATER THAN 15% TO 20% SECTION LOSS OCCURS. SPLICE LENGTH SHALL BE A MINIMUM OF 24 BAR DIAMETERS. POWER TOOL CLEANING MAY BE USED FOR SMALL SECTIONS.
10. COAT ALL EXPOSED REINFORCING AND CONCRETE SURFACES WITH SIKA ARMATEC 110 EPOCEM (OR EQUIVALENT).
11. PATCH WITH SIKATOP 123 PLUS (OR EQUIVALENT) WITH 3/8" AGGREGATE.



CONCRETE DELAMINATION/SPALL REPAIR NOTES: (WITHOUT REINFORCEMENT)

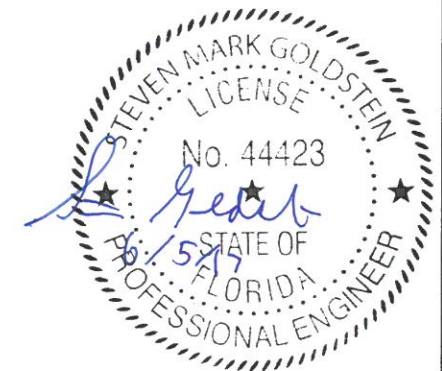
1. PRIOR TO COMMENCING THE REPAIRS, CONTRACTOR SHALL FIELD VERIFY ALL EXISTING CONDITIONS AND NOTIFY ENGINEER OF RECORD OF ANY DISCREPANCIES.
2. CONTRACTOR SHALL NOTIFY THE ENGINEER OF RECORD IF SECTION LOSS IS GREATER THAN 20%.
3. FOLLOW MANUFACTURER'S INSTRUCTIONS FOR SURFACE PREPARATION AND INSTALLATION.
4. PATCH WITH SIKATOP 123 PLUS (OR EQUIVALENT).



CRACK REPAIR NOTES:

1. PRIOR TO COMMENCING THE REPAIRS, CONTRACTOR SHALL FIELD VERIFY ALL EXISTING CONDITIONS AND NOTIFY ENGINEER OF RECORD OF ANY DISCREPANCIES.
2. INJECT ALL CRACKS WITH SIKA CRACK FIX (OR EQUIV.) AND SIKADUR 32 HI-MOD LV (OR EQUIV.) IN ACCORDANCE WITH MANUFACTURER'S INSTRUCTIONS.

1 CONCRETE REPAIR DETAILS
N.T.S.



REVISIONS					
DATE	BY	DESCRIPTION	DATE	BY	DESCRIPTION

lcc engineering

Steven Goldstein, P.E.
Florida License No. 44423
6401 SW 87th Avenue, Suite 200
Miami, Florida 33173
Phone: (305) 670-2350
Fax: (305) 670-2351
Certificate of Authorization No. 7184

CITY OF MIAMI
CAPITAL IMPROVEMENTS PROGRAM

PROJECT NAME	PROJECT ID
MIAMI WOMAN'S CLUB SEAWALL & BAYWALK	B-30731

CONCRETE REPAIR DETAILS

SHEET NO.
S-8