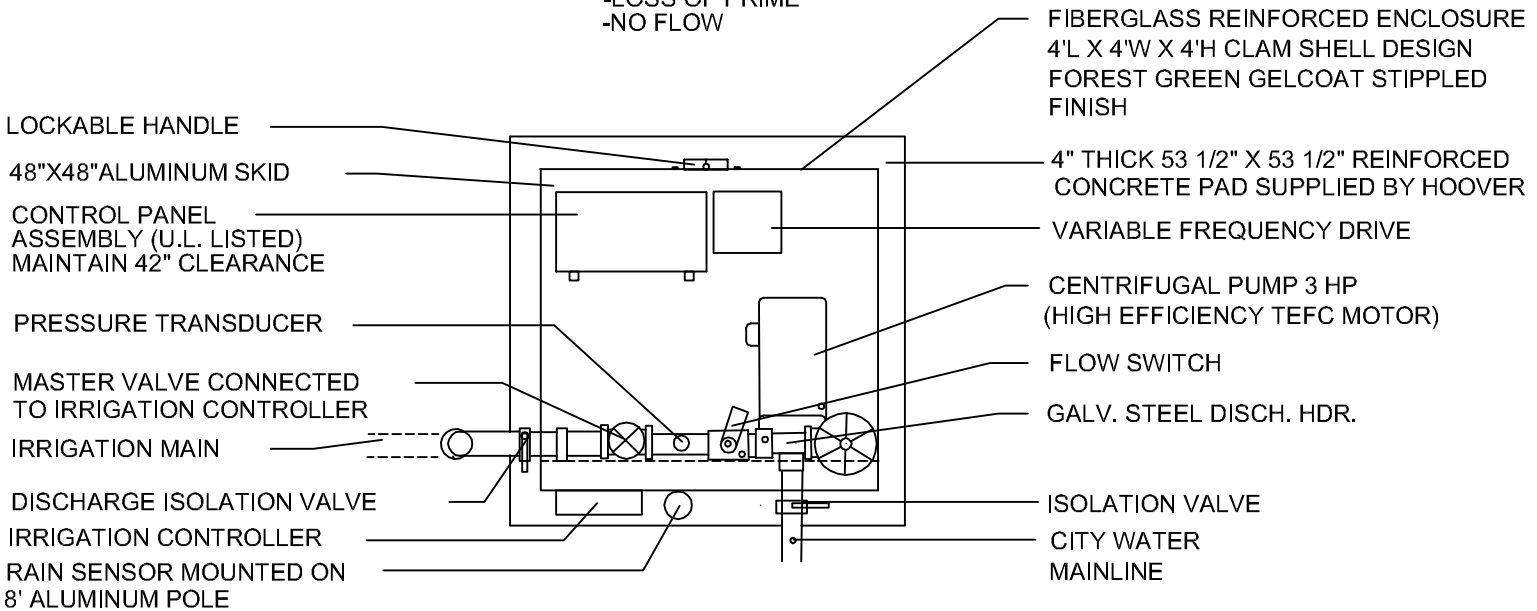


NOTE: SUCTION AND DISCHARGE PIPE SHALL BE SCHED 40 GALVANIZED STEEL WITH GALVANIZED ROLL GROOVE FITTINGS FOR ALL ABOVE GROUND PIPE.

* OPTIONAL FEATURES ARE INCLUDED IF MARKED WITH AN "X"

- X VARIABLE FREQUENCY DRIVE
- X IRRIGATION CONTROLLER RAIN BIRD ESP-LXME 12 STATIONS, WITH RAIN SENSOR
- ___ PRESSURE TANK FOR PRESSURE DEMAND SYSTEMS

SAFETY FEATURES:
CLOCK START:
-TRANSIENT SURGE
-LOSS OF PRIME
-NO FLOW



PLAN VIEW NTS

PUMP PERFORMANCE

60 GPM @ 105 TDH, 70 PSI DISCHARGE PRESSURE
WITH UP TO 40 PSI PRESSURE BOOST

HOOVER PUMPING MODEL: HCBF-3CSV-230/3-E-12,Y,Z
Pompano Beach, Florida, Tel: 954-971-7350