

Commission:

Mayor

Tomas P. Regalado

Chairman / D2 Commissioner

Wilfredo (Willy) Gort

Vice Chairman / D5 Commissioner

Keon Hardemon

D2 Commissioner

Marc Sarnoff

D3 Commissioner

Frank Carollo

D4 Commissioner

Francis Suarez

City Manager

Daniel J. Alfonso

CITY OF MIAMI

CAPITAL IMPROVEMENTS PROGRAM

MARK SPANIOLI, P.E., DIRECTOR

LUMMUS PARK LANDING AREA

250 NW N. RIVER DRIVE

PROJECT No. B-30643



Environmental Resources Regulation Division
DERM

**RER - NATURAL RESOURCES DIVISION
PRELIMINARY APPROVAL**
NAME Charmo
DATE 11/11/15

NOV. 04 2015
RECEIVED
Mortz

ROADWAY SHOP DRAWINGS
TO BE SUBMITTED TO:

FRANCISCO J. ALONSO, P.E.
201 ALHAMBRA CIRCLE SUITE 900
CORAL GABLES, FL 33134

PLANS PREPARED BY:

T·Y·LIN INTERNATIONAL

201 ALHAMBRA CIRCLE SUITE 900
CORAL GABLES, FLORIDA 33134
PHONE: (305) 567-1888
FAX: (305) 567-1771
EB00002017

100% SUBMITTAL
OCTOBER 13, 2015

NOTE: THE SCALE OF THESE PLANS MAY HAVE CHANGED DUE TO REPRODUCTION

ROADWAY PLANS
ENGINEER OF RECORD: FRANCISCO J. ALONSO, P.E.
P.E. NO.: 66918

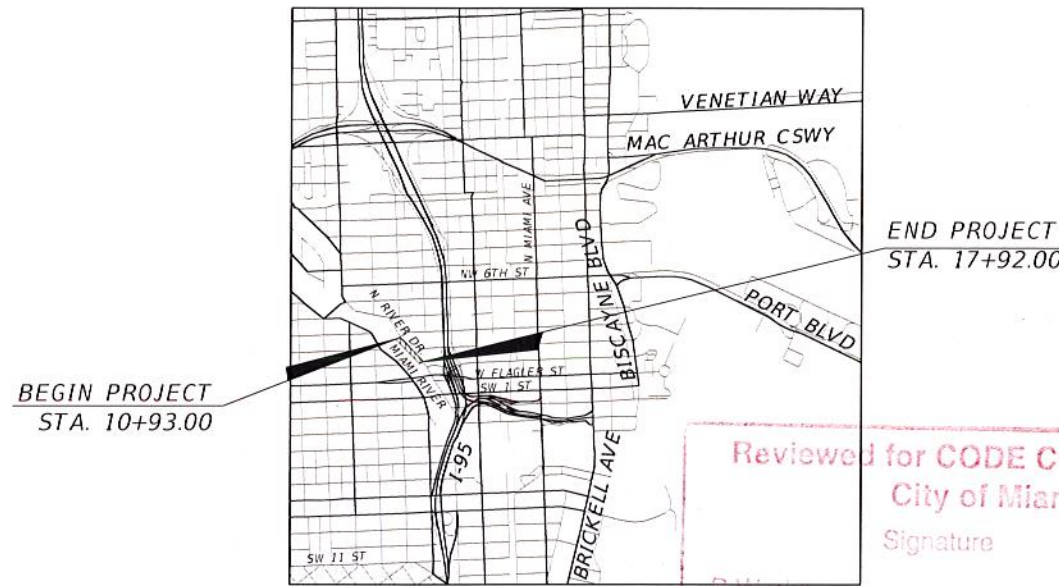
STRUCTURAL PLANS
ENGINEER OF RECORD: JAMES R. ROSALES
P.E. NO.: 54635

ELECTRICAL PLANS
ENGINEER OF RECORD: ENRIQUE JR. SOSA, P.E.
P.E. NO.: 53885



INDEX OF SHEETS

SHEET NO.	DESCRIPTION
1	COVER SHEET
2	GENERAL NOTES
3	QUANTITIES
4-5	SITE PLAN
6	CIVIL DETAILS
7-8	PAVING GRADING AND DRAINAGE PLAN
9	SEWAGE COLLECTION SYSTEM
10	POWER PLAN
11	GUIDE SIGN WORKSHEET
LT-1-LT-2	LIGHTING PLAN
LT-3-LT-4	LIGHTING DETAILS
ST-1	GENERAL STRUCTURAL NOTES
ST-2-ST-3	STRUCTURE - WOOD DOCK PLAN
ST-4-ST-6	STRUCTURE - TYPICAL SECTIONS
ST-7	STRUCTURE - FRAMING PLAN & ELEVATION
ST-8-ST-9	STRUCTURE - DETAILS
ST-10	STRUCTURE - HEADWALL PLAN & SECTION
ST-11	STRUCTURE - HEADWALL - DETAILS



LOCATION MAP
SCALE :1" = 4,000'

Reviewed for CODE COMPLIANCE
City of Miami

Signature	Date
P. Works	/ /
Civ. Prev	/ /
Planning	/ /
Design	<u>10/21/15</u>
Costing	/ /
Structural	<u>10/24/15</u>
Electrical	/ /
Plumbing	/ /
Mech	/ /
S. Waste	/ /
Elevator	/ /

CITY OF MIAMI PROJECT MANAGER: Orlando Misas

CITY OF MIAMI CONSTRUCTION MANAGER: Robert Fenton

GOVERNING STANDARDS AND SPECIFICATIONS:

- FLORIDA DEPARTMENT OF TRANSPORTATION, DESIGN STANDARDS DATED 2014, AND STANDARD SPECIFICATIONS FOR ROAD AND BRIDGE CONSTRUCTION DATED 2014, AS AMENDED BY CONTRACT DOCUMENTS.

- CITY OF MIAMI ENGINEERING STANDARDS FOR DESIGN AND CONSTRUCTION DATED DECEMBER 2010.

SHEET NO.

1

NOT FOR CONSTRUCTION 100% PLANS

GENERAL NOTES:

1. THE CONTRACTOR MUST HAND EXCAVATE AROUND AREAS WHERE EXISTING UNDERGROUND UTILITIES ARE EXPECTED OR SUSPECTED IN ORDER TO AVOID DAMAGES. THE CONTRACTOR SHALL BE RESPONSIBLE FOR ALL REPAIRS AND COSTS TO CORRECT DAMAGES RESULTING FROM FAILURE TO TAKE ALL NECESSARY PRECAUTIONS INCLUDING LOCATING, MARKING AND CAREFUL EXCAVATION, AND SHOULD BE INCIDENTAL TO THE COST OF THE PROJECT.
2. CONTRACTOR SHALL OBTAIN ALL NECESSARY PERMITS PRIOR TO COMMENCING CONSTRUCTION.
3. IT IS THE OBLIGATION OF THE BIDDER OR THE CONTRACTOR TO MAKE HIS OWN INVESTIGATION AND SATISFY HIMSELF FULLY OF SUBSURFACE CONDITIONS PRIOR TO SUBMITTING HIS BID. FAILURE TO DO SO, WILL NOT RELIEVE HIM OF HIS OBLIGATION TO COMPLETE THE WORK FULLY AND ACCEPTABLE TO THE ENGINEER AND THE OWNER FOR THE CONSIDERATION SET FORTH IN HIS BID.
4. CONTRACTOR SHALL NOT SCALE DIMENSIONS FROM PRINTS FOR CONSTRUCTION PURPOSES.
5. ALL DISTURBED GRASS AREAS SHALL BE RESTORED WITH SUITABLE SOIL AND SOLID ST AUGUSTINE SOD IF NOT SPECIFIED OTHERWISE ON THE PLANS.
6. IT IS THE INTENT OF THESE PLANS TO BE IN COMPLIANCE WITH APPLICABLE CODES OF AUTHORITIES HAVING JURISDICTION. ANY DISCREPANCIES BETWEEN THESE PLANS AND APPLICABLE CODES SHALL BE IMMEDIATELY BROUGHT TO THE ATTENTION OF THE ENGINEER.
7. FOR THE BAYWALK AND ALL ITS FEATURES THE CONTRACTOR SHALL USE CITY OF MIAMI STANDARD FOR DESIGN AND CONSTRUCTION (2010), MIAMI 21, AND THE FDOT STANDARD INDEX AND SPECIFICATIONS (2014).
8. CONTRACTOR IS TO VERIFY THE EXACT LOCATION OF ALL EXISTING TREES, STRUCTURES, UTILITIES AND UTILITY MARKERS, WHICH MAY NOT BE SHOWN ON PLANS. ANY EXISTING STRUCTURES, PAVEMENT, TREES, UTILITIES, UTILITY MARKERS OR OTHER EXISTING IMPROVEMENT NOT SPECIFIED FOR REMOVAL WHICH IS TEMPORARILY DAMAGED, EXPOSED OR IN ANY WAY DISTURBED BY CONSTRUCTION PERFORMED UNDER THIS CONTRACT, SHALL BE REPAIRED, PATCHED OR REPLACED AT NO ADDITIONAL COST TO THE OWNER.
9. INSTALLATIONS OF NEW PULL BOXES FOR FEATURE LIGHTING SHALL BE PERFORMED BY QUALIFIED ELECTRICAL CONTRACTOR. THE CONTRACTOR SHALL PROVIDE EMPTY CONDUITS WITH PULL STRINGS FOR FUTURE CONNECTION TO LIGHTING. NEW PULL BOXES/METER BOXES IS INCIDENTAL TO TOTAL PROJECT COST.

ENVIRONMENTAL NOTES

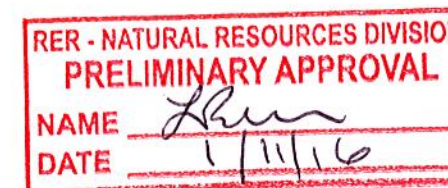
1. ANY MATERIAL TO BE STOCKPILED FOR PERIODS GREATER THAN 24 HOURS SHALL BE PROTECTED BY APPROPRIATE EROSION CONTROL DEVICES.
2. THE CONTRACTOR SHALL REVIEW ENVIRONMENTAL REQUIREMENTS OF ANY PROPOSED STAGING AREAS WITH THE PROJECT ENGINEER AT LEAST SEVENTY-TWO (72) HOURS PRIOR TO USE.
3. NO STAGING OR OTHER ACTIVITIES FOR THIS PROJECT WILL BE ALLOWED WITHIN ENVIRONMENTALLY SENSITIVE AREAS.
4. CONTRACTOR SHALL NOT STAGE OR OPERATE EQUIPMENT WITHIN THE DRIPLINE OF TREES.
5. CONTRACTOR TO PROVIDE A CERTIFIED ARBORIST WHO WILL DETERMINE ANY ROOT PRUNING AND ANY OTHER TRIMMING ACTIVITIES. COST TO BE INCIDENTAL TO CONSTRUCTION. NO ADDITIONAL COMPENSATION WILL BE PROVIDED.

CONSTRUCTION NOTES:

1. ALL WORK TO BE IN COMPLIANCE WITH THE REQUIREMENTS OF AND ACCEPTABLE TO CITY OF MIAMI PUBLIC WORKS DEPARTMENT AND MIAMI-DADE COUNTY R.E.R.
2. CONTRACTOR SHALL PROVIDE HIS OWN LINE AND GRADE FROM HORIZONTAL AND VERTICAL CONTROL. CONTRACTOR SHALL ALSO PROVIDE "AS BUILT" GRADES CERTIFIED BY A REGISTERED LAND SURVEYOR AS REQUIRED BY THE CITY OF MIAMI PUBLIC WORKS DEPARTMENT.
3. SIDEWALK (BAYWALK) CONSTRUCTION SHALL BE IN ACCORDANCE WITH THE CITY OF MIAMI PUBLIC WORKS DEPARTMENT AND MIAMI 21.
4. BID PRICES SHALL INCLUDE ALL LABOR, EQUIPMENT, MATERIALS AND INCIDENTALS COMPLETE IN PLACE, TESTED, AND ACCEPTED BY THE ENGINEER.
5. THE CONTRACTOR SHALL USE SWEEPER (USING WATER) OR OTHER EQUIPMENT CAPABLE OF CONTROLLING AND REMOVING DUST. APPROVAL OF THE USE OF SUCH EQUIPMENT IS CONTINGENT UPON ITS DEMONSTRATED ABILITY TO DO WORK.
6. THE CONTRACTOR IS RESPONSIBLE FOR KEEPING EXISTING INLETS CLEAN OF DEBRIS AND ANY OTHER MATERIALS USED DURING CONSTRUCTION. THIS SHALL BE DONE DURING THE CONSTRUCTION AT NO ADDITIONAL COST TO THE OWNER. ALL EXISTING LINES AND STRUCTURES SHALL BE CLEANED PRIOR TO FINAL INSPECTION AND ACCEPTANCE.
7. CONTRACTOR SHALL CONTACT SUNSHINE AT (800) 432-4770 AT LEAST 48 HOURS PRIOR TO PERFORMING ANY DIGGING TO VERIFY THE EXACT LOCATION OF EXISTING UTILITIES.
8. THE CONTRACTOR SHALL PREPARE AND SUBMIT SHOP DRAWINGS FOR ALL ITEMS LISTED IN PROJECT SPECIFICATION (WHERE APPLICABLE).
9. THE CONTRACTOR SHALL MAINTAIN ACCESS TO ALL ADJACENT PROPERTIES AT ALL TIMES.
10. ALL EXISTING DRAINAGE STRUCTURES AND PIPES ARE TO REMAIN AND TO BE PROTECTED UNLESS OTHERWISE SPECIFIED AND APPROVED.
11. CONTRACTOR SHALL IMPLEMENT AND ENFORCE ALL NPDES EROSION AND SEDIMENT CONTROL RULES AND REGULATIONS.
14. CONTRACT SHALL INCLUDE IN THE BID "CLEARING AND GRUBBING" PRICE.

STRUCTURAL NOTES:

1. CONSTRUCTION SHALL BE IN ACCORDANCE WITH THE FDOT 2014 STANDARD SPECIFICATIONS FOR ROAD AND BRIDGE CONSTRUCTION.
2. DESIGN SHALL BE IN ACCORDANCE WITH THE FDOT STRUCTURAL DESIGN MANUAL JANUARY 2014, AND SUBSEQUENT STRUCTURES DESIGN BULLETINS THE FDOT, STRUCTURAL DESIGN STANDARD INDEXES/DRAWINGS, 2014, AS AMENDED BY CONTRACT DOCUMENTS, THE AASHTO LRFD BRIDGE DESIGN SPECIFICATION, 5TH EDITION, 2010, AND ALL SUBSEQUENT INTERIMS, AND THE ACI 318-08 BUILDING CODE REQUIREMENTS FOR STRUCTURAL CONCRETE (AND COMMENTARY).
3. DESIGN OF THE SHEET PILE WALL SHALL BE BASED ON FDOT DESIGN STANDARD INDEX/DRAWING 6040, "PRECAST CONCRETE SHEETPILE WALL".
4. VERTICAL DATUM IS NGVD 29.
5. ENVIRONMENT IS CLASSIFIED AS EXTREMELY AGGRESSIVE.
6. MATERIALS
 - 6.1. BULKHEADS REINFORCED C.I.P. CONCRETE CAP: CONCRETE CLASS V, f'c = 6,500psi, WITH SILICA FUME, METAKAOLIN OR ULTRA FINE FLY ASH FOR EXTREMELY AGGRESSIVE ENVIRONMENT (SEE ALSO CONCRETE SHEET PILE WALL CANTILEVER DATA TABLE).
 - 6.2. MATERIALS FOR PRECAST/PRESTRESSED SHEET PILES IN ACCORDANCE WITH FDOT INDEX 6040, APPLICABLE TO ALL ENVIRONMENTS.
7. CONCRETE COVER
 - CAST-IN-PLACE SUBSTRUCTURE (FORMED SURFACES): 3" CLEAR COVER. COVER DOES NOT INCLUDE TOLERANCES. REFER TO FDOT SPECIFICATION 415 FOR ALLOWABLE TOLERANCES.
8. PLAN DIMENSIONS
 - ALL DIMENSIONS IN THESE PLANS ARE MEASURED IN FEET EITHER HORIZONTALLY OR VERTICALLY UNLESS OTHERWISE NOTED.
9. UTILITIES
 - 9.1. LOCATIONS OF STORM DRAINS/OUTFALLS IN PLAN VIEW ARE APPROXIMATE. LOCATIONS AND ELEVATIONS SHALL BE VERIFIED BY THE CONTRACTOR BEFORE CONSTRUCTION AND FABRICATION OF THE SHEETPILE WALL PANELS.
 - 9.2. FOR STORM DRAINS AND OTHER UTILITIES, FOLLOW GENERAL NOTES ON PROCEDURES INVOLVING EXISTING UTILITIES.
10. JOINTS IN CONCRETE: CONSTRUCTION JOINTS WILL BE PERMITTED ONLY AT THE LOCATIONS INDICATED IN THE PLANS. ADDITIONAL CONSTRUCTION JOINTS OR ALTERATIONS TO THOSE SHOWN SHALL REQUIRE APPROVAL OF THE ENGINEER.
11. CLEARING AND GRUBBING
 - LIMITS OF CLEARING AND GRUBBING SHOWN IN THE PLAN VIEW ARE APPROXIMATE. ANY INCREASE FROM CALCULATED QUANTITIES SHALL BE CONSIDERED INCIDENTAL TO THE TOTAL COST OF CLEARING AND GRUBBING.
12. CUT AND FILL OPERATIONS
 - 12.1. THE CONTRACTOR SHOULD NOTIFY ADJACENT OWNERS AND INVOLVED UTILITIES IN WRITING TWO (2) BEFORE EXCAVATION OPERATION BEGIN.
 - 12.2. QUANTITIES FOR CUT AND FILL SHOWN IN THESE PLANS ARE APPROXIMATE AND SHALL BE VERIFIED BY THE CONTRACTOR BEFORE BIDDING.
 - 12.3. ANY EXCAVATED MATERIAL THAT IS DEEMED BY THE ENGINEER UNSUITABLE FOR FILLING SHALL BE PROPERLY DISPOSED OF BY THE CONTRACTOR AT AN APPROVED FACILITY OR DUMP SITE. THE COST FOR DISPOSAL OF UNSUITABLE MATERIAL SHALL BE INCLUDED IN THE COST OF CUT AND FILL.



UTILITY COMPANY CONTACT LIST:

ATT	STEVE MASSIE	305-222-8745
COMCAST CABLE	LEONARD MAXWELL-NEWBOLD	954-447-8405
MIAMI-DADE COUNTY PUBLIC WORKS	AURELIO DEL VALLE	305-592-8925 EXT.258
MIAMI-DADE ENTERPRISE TECH SERVICES (ETSD)	CARLOS PERTUZ	305-275-7813
FIBERLIGHT LLC	CHRIS PANCIONE	954-596-2559
FDOT 6	GIOVANI COLAS	305-951-7669
FLORIDA POWER AND LIGHT-DADE	TRACY STERN	800-868-9554
FLORIDA POWER AND LIGHT-FIBERNET	DANNY HASKETT	305-552-2931
FLORIDA POWER AND LIGHT- DOWNTOWN	JACK HUGGINS	305-613-2392
FLORIDA POWER AND LIGHT- TRANSMISSION	CHUCK KENWORTHY	305-216-9136
HOTWIRE	PHIL GALLUB	305-219-0286
LEVEL 3 COMMUNICATIONS	JUDY HENRY	720-888-2061
MCI	INVESTIGATIONS	972-729-6016
MIAMI-DADE WATER AND SEWER	PATRICK CHONG	786-268-5255
TECO PEOPLE GAS SOUTH FLORIDA	YVONNE GOLDMAN	954-453-0824
CENTURY LINK - QWEST COMMUNICATIONS	MIKE FITZGERALD	813-630-2605
TIMER WARNER TELECOM	WILLIE ZACHERY	954-761-2730
XO COMMUNICATION	TONY BELFORD	801-364-1063

<p>REVISIONS</p> <table border="1"> <thead> <tr> <th>DATE</th> <th>BY</th> <th>DESCRIPTION</th> </tr> </thead> <tbody> <tr> <td> </td> <td> </td> <td> </td> </tr> </tbody> </table>			DATE	BY	DESCRIPTION				<p>EOR</p> <p>Francisco J. Alonso, P.E. No. 66918</p> <p>T-Y-LIN INTERNATIONAL</p>	<p>CITY OF MIAMI CAPITAL IMPROVEMENTS PROGRAM</p> <p>444 S.W. 2ND AVENUE, 9TH FLOOR MIAMI, FLORIDA 33130 (305) 416-1213 FAX (305) 416-1253</p>	<p>CITY OF MIAMI CAPITAL IMPROVEMENTS PROGRAM</p> <table border="1"> <thead> <tr> <th>PROJECT NAME</th> <th>PROJECT No.</th> </tr> </thead> <tbody> <tr> <td>LUMMUS PARK LANDING AREA 250 NW N. RIVER DRIVE</td> <td>B-30643</td> </tr> </tbody> </table>	PROJECT NAME	PROJECT No.	LUMMUS PARK LANDING AREA 250 NW N. RIVER DRIVE	B-30643	<p>GENERAL NOTES</p>	<p>SHEET NO.</p> <p>2</p>
DATE	BY	DESCRIPTION															
PROJECT NAME	PROJECT No.																
LUMMUS PARK LANDING AREA 250 NW N. RIVER DRIVE	B-30643																

NOT FOR CONSTRUCTION 100% PLANS

ROADWAY QUANTITIES

PAY ITEM	PAY ITEM DESCRIPTION	UNIT	PLAN QUANTITY
1	Mobilization	LS	1
2	Maintenance of Traffic	LS	1
3	Clearing and Grubbing	LS	1
4	Type B Stabilization (for sidewalk)	SY	1,480
5	Inlet Adjust	EA	3
6	Concrete Class V, Substructure for 6" concrete cap on Exist. Seawall	CY	28
7	Reinforcing Steel for 6" Concrete Cap and dowels	LB	3,800
8	Bedding Stone (Security Zone)	Ton	39
9	Sidewalk Concrete, 4" Thick	SY	1,480
10	Trash Receptacle Surface Mounted	EA	7
11	Bench Surface Mounted	EA	14
12	Performance turf, sod (St. Augustine)	SY	496
13	Pedestrian Railing Aluminum Only 42" Type I	LF	120
14	Fire Cabinets (Includes tap connection to existing main)	EA	5
15	Manhole (City of Miami type A)	EA	2
16	4" DIP Sewer Force Main Pipe	LF	60
17	6" SDR-35 Sewer Pipe	LF	25
18	Dredging	CY	295
19	Guide Sign Panel for Waterway, Furnish and Install (up to 12 SF)	EA	2
20	Cast Steel Cleats and connection to decking	EA	81
21	Prefabricated Alum. Ladder	EA	2
22	Sanitary Pumpout System	AS	1
23	RIPRAP - Rubble, remove existing and reinstall	CY	61.59
24	RIPRAP - Rubble	CY	22.00
25	Structure System Complete (*)	LS	1
26	Power System Complete	LS	1
27	Lighting System Complete	LS	1

(*) THE WORK FOR THIS PAY ITEM SHALL INCLUDE, BUT NOT LIMITED TO, THE REMOVAL OF EXISTING PILES, INSTALLATION OF NEW PILES AS REQUIRED FOR THE NEW DOCK, INSTALLATION OF NEW PILES OUTSIDE THE DOCK AREA, THE CONSTRUCTION OF THE WOOD STRUCTURE, CONCRETE CAPS AND STEEL SUPPORT STRUCTURE; AND FURNISHING ALL LABOR, MATERIALS AND FOR ALL PREPARATION, ERECTION, AND INSTALLATION OF THESE MATERIALS, AND INCIDENTALS NECESSARY TO COMPLETE THE CONSTRUCTION OF THE WOOD DOCK AS SHOWN ON THESE PLANS.

LIGHTING QUANTITIES

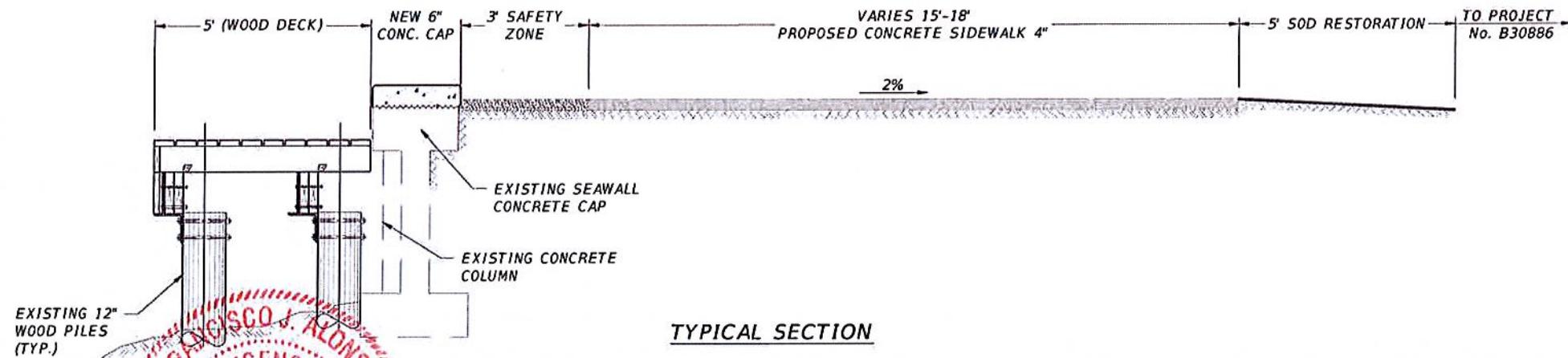
PAY ITEM	PAY ITEM DESCRIPTION	UNIT	PLAN QUANTITY
	SOLAR LIGHT POLE	EA	14
	SOLAR MARINE LANTERN	EA	8

POWER QUANTITIES

PAY ITEM	PAY ITEM DESCRIPTION	UNIT	PLAN QUANTITY
0639-1121	ELECTRICAL POWER SERVICE, F&I, UNDERGROUND	AS	1
0639-2-1	ELECTRICAL SERVICE WIRE	LF	60
0630-2-11	CONDUIT, FURNISH & INSTALL, OPEN TRENCH	LF	110
0639-3-12	ELECTRICAL SERVICE DISCONNECT	EA	1
	ELECTRICAL SERVICE DISCONNECT FUSE KIT (CLASS R)	EA	1
	ELECTRICAL SERVICE DISCONNECT NEUTRAL ASSEMBLY	AS	1
	ELECTRICAL SERVICE DISCONNECT GROUNDING KIT	AS	1
	SANITARY PUMPOUT SYSTEM	AS	1
	ELECTRICAL FEEDER WIRE	LF	50

PAY ITEM NOTES

110-1-1 INCLUDES THE REMOVAL OF EXISTING CLEATS ALONG THE PROJECT.
 RIPRAP PAYMENT INCLUDES THE EXTRACTION, STORAGE AND REINSTALLATION OF THE EXISTING 61.59CY OF RIPRAP WITHIN THE PROJECT LIMITS



TYPICAL SECTION

Professional Engineer Seal for Francisco J. Alonso, P.E., License No. 66918, State of Florida. T.Y. LIN INTERNATIONAL is also noted.

DATE	BY	REVISIONS DESCRIPTION

FOR PROJECT NO. 66918



CITY OF MIAMI
 CAPITAL IMPROVEMENTS PROGRAM
 444 SW 2ND AVENUE, 8TH FLOOR
 MIAMI, FLORIDA 33130
 (305) 416-1213 FAX (305) 416-1253

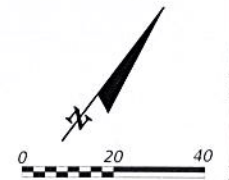
CITY OF MIAMI CAPITAL IMPROVEMENTS PROGRAM	
PROJECT NAME	PROJECT No.
LUMMUS PARK LANDING AREA 250 NW N. RIVER DRIVE	B-30643

QUANTITIES	

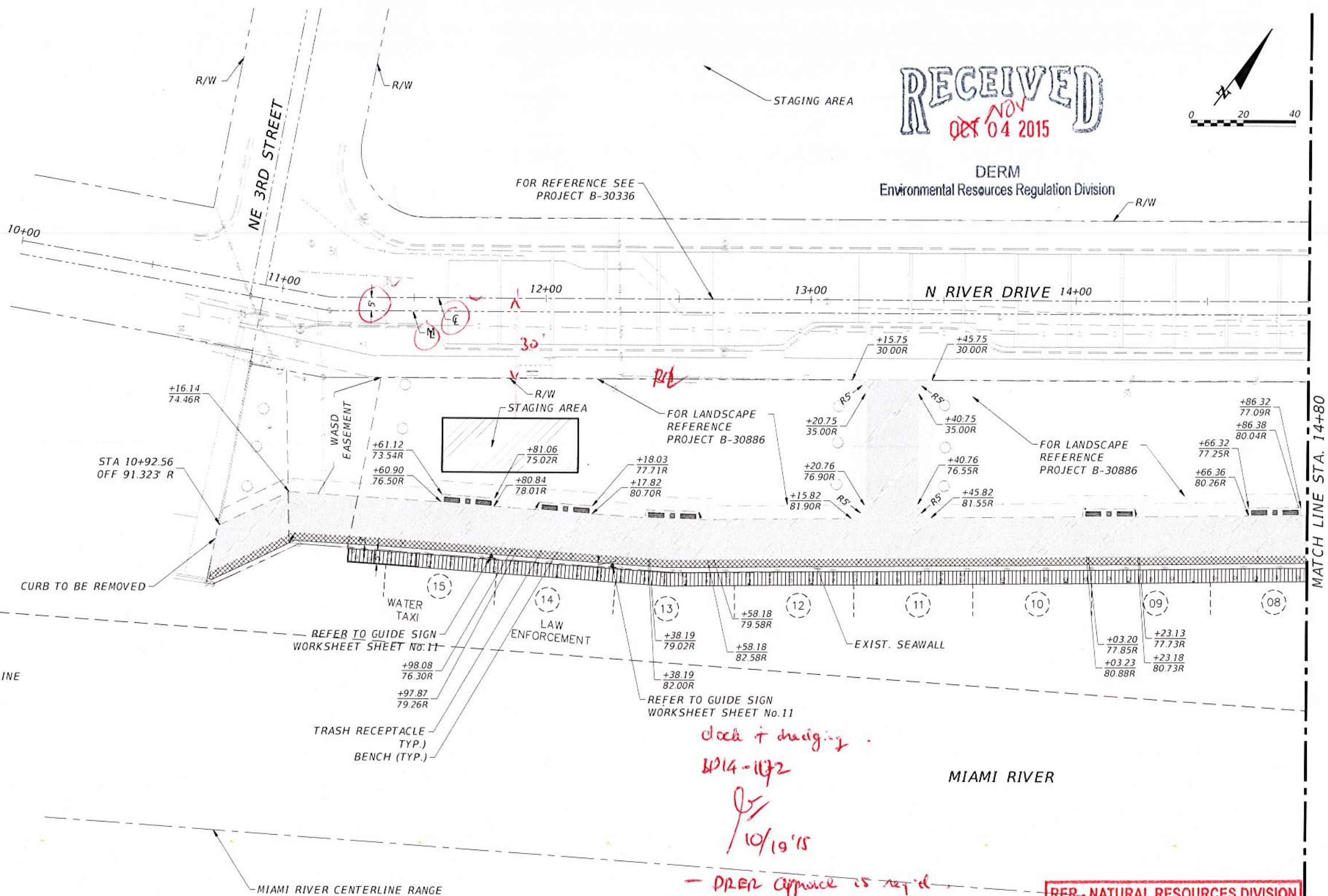
SHEET NO.
3

NOT FOR CONSTRUCTION 100% PLANS

RECEIVED
 NOV 04 2015



DERM
 Environmental Resources Regulation Division



LEGEND

- PROP. CONCRETE SIDEWALK 4"
- SAFETY ZONE
- PROP. WOOD DECK
- SOD RESTORATION (5')
- BENCH
- TRASH RECEPTACLE
- PROP. POLES
- PROP. ELEVATIONS
- BOAT SLIP #



CITY OF MIAMI
 CAPITAL IMPROVEMENTS PROGRAM
 444 S.W. 2ND AVENUE, 8TH FLOOR
 MIAMI, FLORIDA 33130
 (305) 416-1213 FAX (305) 416-1253

CITY OF MIAMI
 CAPITAL IMPROVEMENTS PROGRAM
 PROJECT NAME: LUMMUS PARK LANDING AREA
 PROJECT No.: B-30643

RER - NATURAL RESOURCES DIVISION
PRELIMINARY APPROVAL
 NAME: Chambers
 DATE: 11/11/15

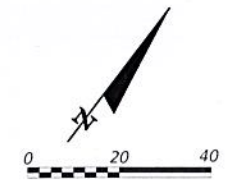
REVISIONS	
DATE	DESCRIPTION

EOR
T.Y. LIN INTERNATIONAL

SITE PLAN

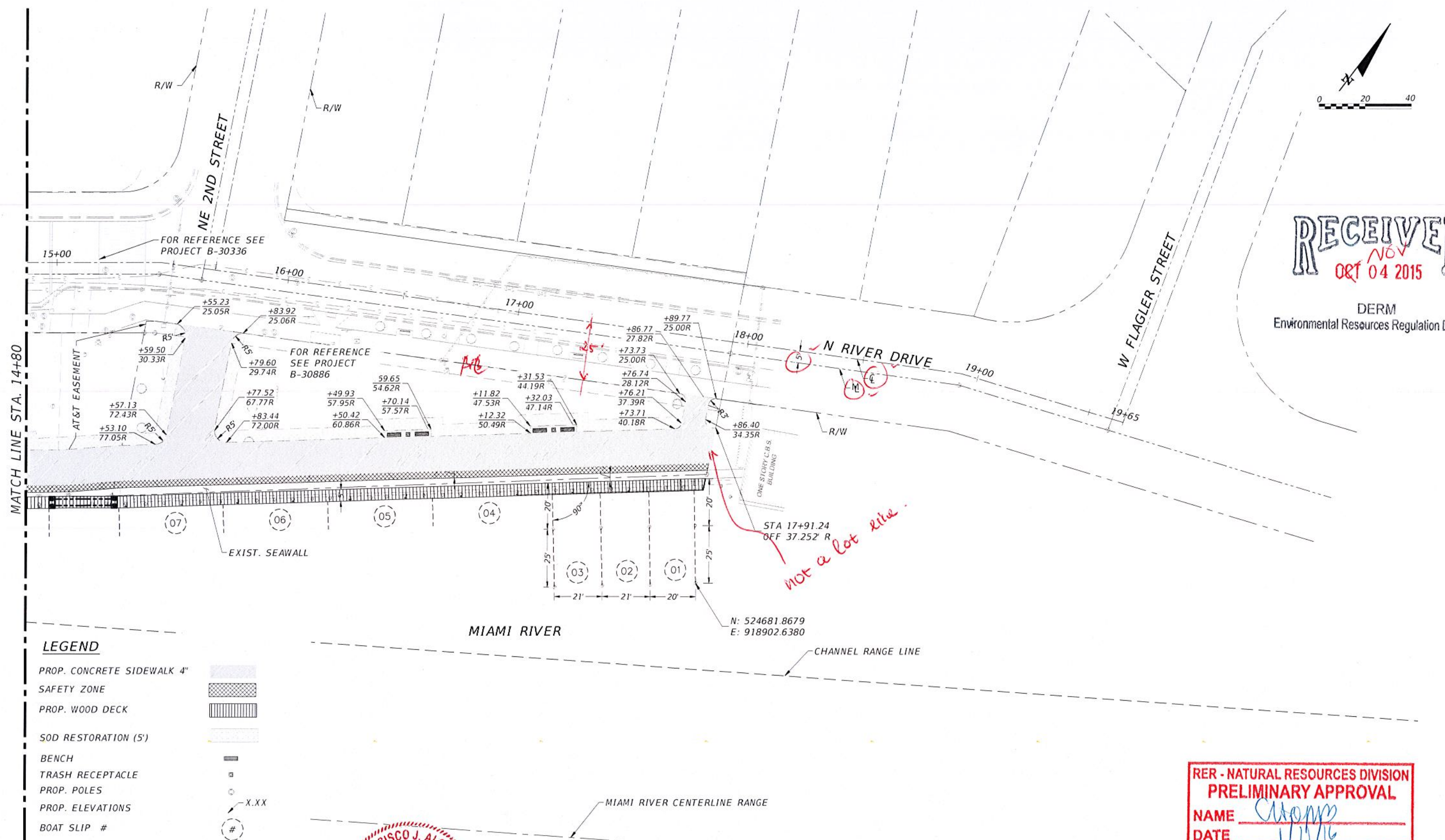
SHEET NO.
4

NOT FOR CONSTRUCTION 100% PLANS



RECEIVED
 NOV 04 2015

DERM
 Environmental Resources Regulation Division



LEGEND

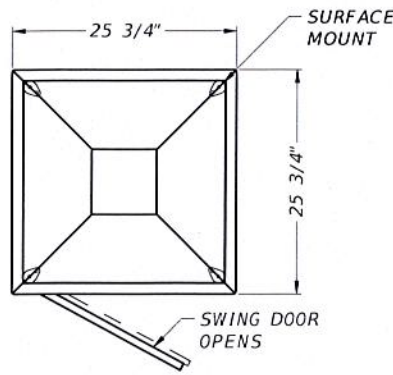
- PROP. CONCRETE SIDEWALK 4"
- SAFETY ZONE
- PROP. WOOD DECK
- SOD RESTORATION (5')
- BENCH
- TRASH RECEPTACLE
- PROP. POLES
- PROP. ELEVATIONS
- BOAT SLIP #

**RER - NATURAL RESOURCES DIVISION
 PRELIMINARY APPROVAL**
 NAME Citron
 DATE 11/19/16

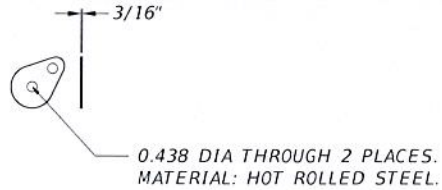


REVISIONS DATE BY DESCRIPTION		EOR T-Y-LIN INTERNATIONAL	 CITY OF MIAMI CAPITAL IMPROVEMENTS PROGRAM 444 SW 2ND AVENUE, 8TH FLOOR MIAMI, FLORIDA 33130 (305) 416-1213 FAX (305) 416-1253	CITY OF MIAMI CAPITAL IMPROVEMENTS PROGRAM		SHEET NO. 5
				PROJECT NAME LUMMUS PARK LANDING AREA 250 NW N. RIVER DRIVE	PROJECT No. B-30643	

NOT FOR CONSTRUCTION 100% PLANS



PLAN VIEW



SURFACE MOUNT TAB DETAIL

MIAMI RIVERWALK/GREENWAY PLAQUE (SEE NOTE)

BENCH (PLAINWELL BENCH, 72" LENGTH, IPE WOOD SLAT PANELS WITH ALUMINUM CENTER ARM REST, COLOR: BLACK, SURFACE MOUNTED TO CONC. PAD)

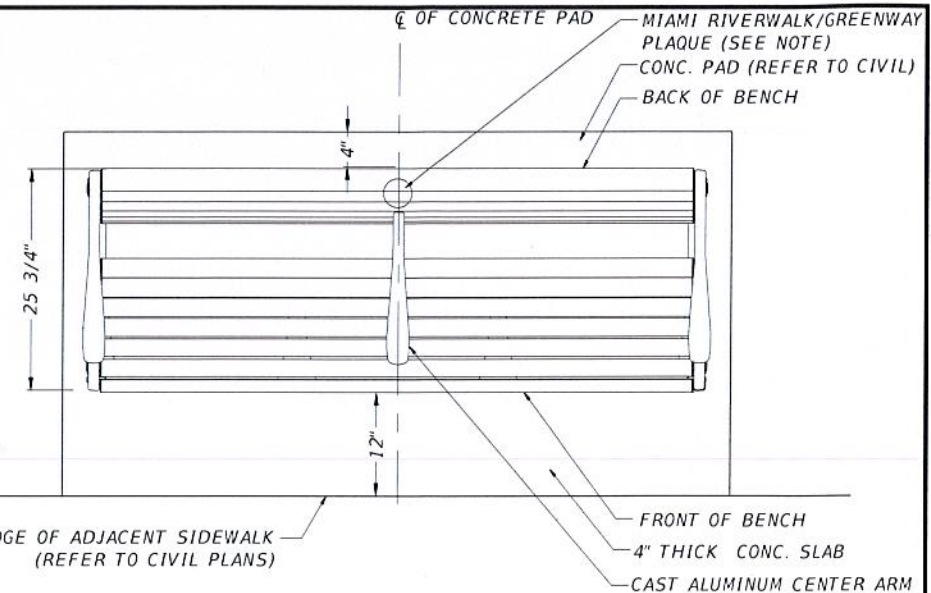
STAINLESS STEEL ANCHOR (SEE NOTE)

CONCRETE SLAB (SEE CIVIL DWGS)

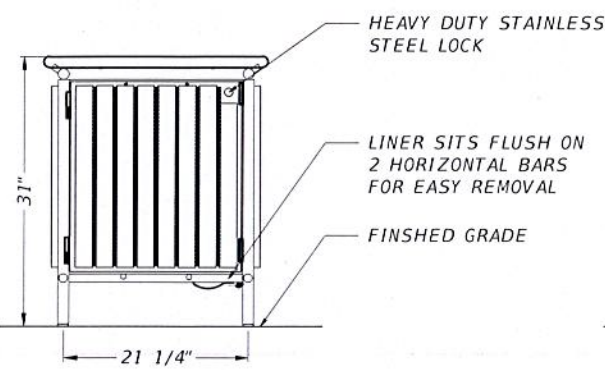
ADJACENT SIDEWALK (SEE CIVIL DWGS)

COMP. SUBGRADE (SEE CIVIL DWGS)

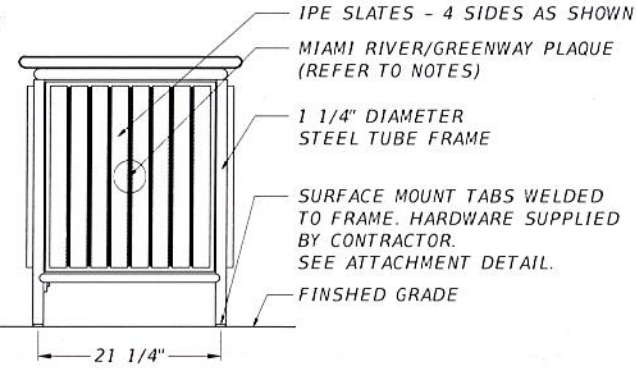
SECTION



PLAN VIEW



ELEVATION - DOOR SIDE



ELEVATION VIEW - PLAQUE SIDE

RECEIVED
NOV 04 2015
Environmental Resources Regulation Division

SPECIFICATIONS:

MANUFACTURER: LANDSCAPE FORMS, INC.
 VENDOR: GAP ARCHITECTURAL PRODUCTS (407) 645-2854.
 LITTER MODEL: PLAINWELL WASHINGTON SQUARE LITTER RECEPTACLE WITH PLAQUE, IPE SLATS, HEAVY DUTY STAINLESS STEEL LOCK, SM TABS SURFACE MOUNT
 STYLE: SIDE OPENING
 MOUNTING: SURFACE-MOUNTING
 LINER COLOR: BLACK
 FINISH: PANGARD II® POLYESTER POWDERCOAT
 FINISH COLOR: BLACK ANCHORS: STAINLESS STEEL

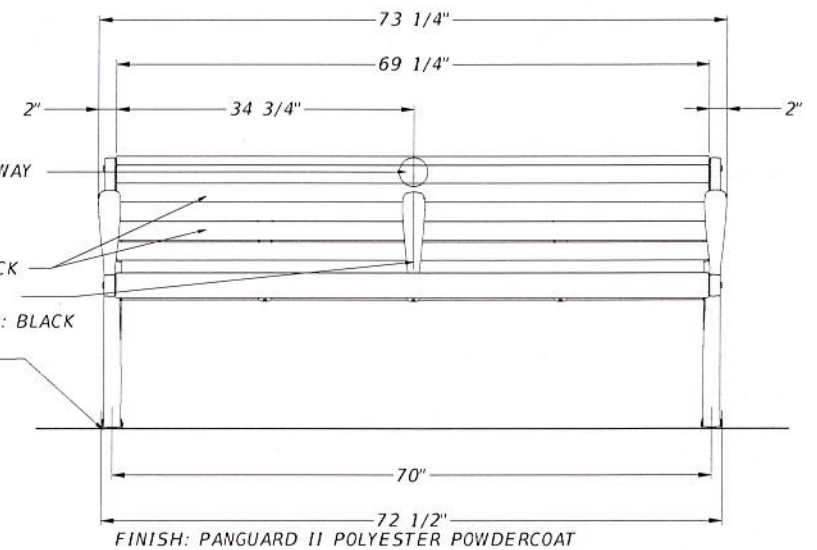
NOTES:

- ALL HARDWARE SUPPLIED BY CONTRACTOR TO BE STAINLESS STEEL.
- ANCHORS TO BE 3/8" DIA., STUD TYPE EXPANSION ANCHOR, MIN. OF 2-1/2" LONG MOUNTING HOLES ARE 7/16" DIA.
- LINER TO HAVE (5) 1/2" DIAMETER HOLES TO ALLOW FOR DRAINAGE.
- CONTRACTOR TO MANUFACTURE AND SUPPLY CITY OF MIAMI PLAQUE AS PER "CITY OF MIAMI DESIGN STANDARDS", CENTER ON PANEL OPPOSITE OF DOOR. PLAQUE INSTALLED BY LANDSCAPE FORMS, INC.

NOTES:

- ALL HARDWARE SUPPLIED BY Environmental Resources Regulation Division TO BE STAINLESS STEEL.
- INSTALL PER MANUFACTURER'S SPECIFICATIONS
- BENCHES LOCATED IN PAVEMENT, SHALL BE BOLTED DIRECTLY TO PAVEMENT.
- EXACT LOCATION OF BENCHES TO BE APPROVED IN FIELD BY CLIENT REPRESENTATIVE.

WOOD SLAT SEAT AND BACK
 CAST ALUMINUM CENTER ARM REST, COLOR: BLACK
 SURFACE MOUNTED LEGS HARDWARE SUPPLIED BY CONTRACTOR (SEE ATTACHMENT DETAIL)



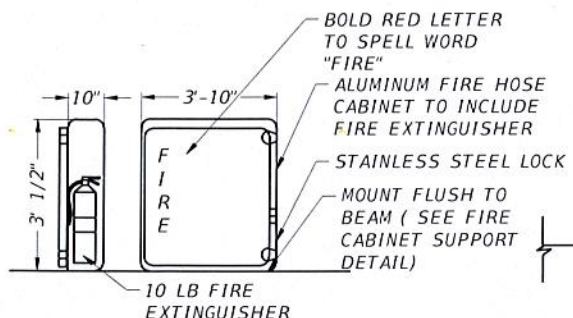
ELEVATION - FRONT VIEW

MANUFACTURER:

MANUFACTURER: LANDSCAPE FORMS, INC.
 LOCAL VENDOR: GAP ARCHITECTURAL PRODUCTS,
 CONTACT: JESSICA STANLEY, TEL: (954) 366-8271

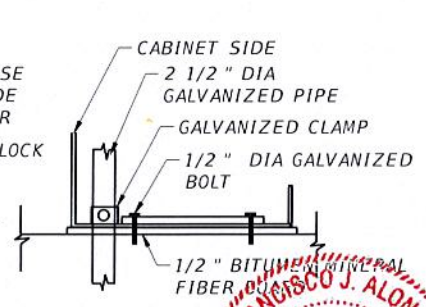
GENERAL AMENITY FURNISHING NOTES

- ALL SITE FURNISHINGS SHALL MEET OR EXCEED ASTM, BIFMA OR INDUSTRY STANDARDS.
- SITE FURNISHING SHALL BE INSTALLED PER MANUFACTURER'S RECOMMENDATIONS.
- INSTALL SITE FURNISHINGS WITH TAMPER-PROOF BOLTS OR SIMILAR AS SPECIFIED BY MANUFACTURER.
- REFER TO MANUFACTURER'S PRODUCT SPECIFICATIONS FOR ALL MATERIAL SPECIFICATIONS AND INSTALLATION INSTRUCTIONS.
- ALL SITE FURNISHINGS TO BE FIELD LOCATED.
- SUBMIT FOR REVIEW CUT SHEETS FOR ALL SITE FURNISHINGS PRIOR TO INSTALLATION. CUT SHEETS TO INCLUDE INSTALLATION METHODS OF ATTACHMENT TO CONCRETE SURFACE.

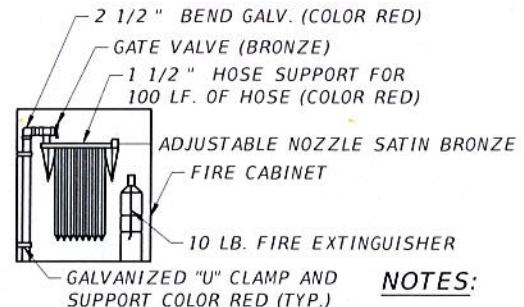


FIRE CABINET VIEW

TRASH RECEPTACLE - SURFACE MOUNTED
 NTS



FIRE CABINET SUPPORT DETAIL



HOSE ASSEMBLY DETAIL

NOTES:

- PROVIDE SHOP DRAWINGS FOR APPROVAL
- APPLY WHITE CORROSION RESISTANT PAINT HARDWARE AND CABINET

FIRE CABINET INSTALL APPURTENANCES

STATE OF FLORIDA
 PROFESSIONAL ENGINEER
 FRANCISCO J. ALONSO
 No. 66018



CITY OF MIAMI
 CAPITAL IMPROVEMENTS PROGRAM
 444 S.W. 2ND AVENUE, 8TH FLOOR
 MIAMI, FLORIDA 33130
 (305) 416-1213 FAX (305) 416-1253

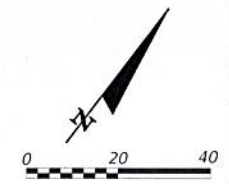
CITY OF MIAMI CAPITAL IMPROVEMENTS PROGRAM	
PROJECT NAME	PROJECT No.
LUMMUS PARK LANDING AREA 250 NW N. RIVER DRIVE	B-30643

CIVIL DETAILS

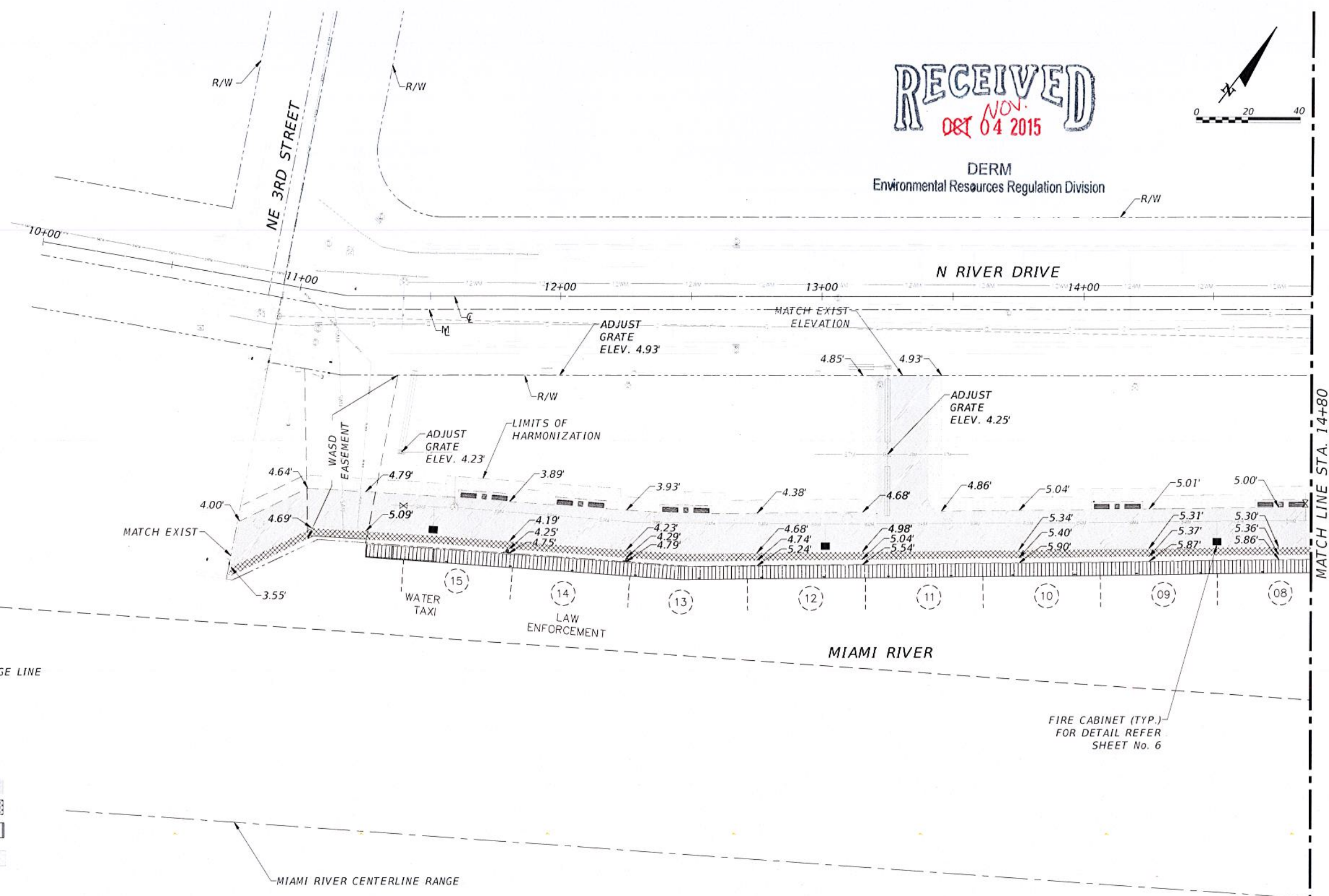
SHEET NO.
6

NOT FOR CONSTRUCTION 100% PLANS

RECEIVED
 NOV. 04 2015



DERM
 Environmental Resources Regulation Division



LEGEND

- PROP. CONCRETE SIDEWALK 4"
- SAFETY ZONE
- PROP. WOOD DECK
- SOD RESTORATION (5')
- BENCH
- TRASH RECEPTACLE
- PROP. POLES
- PROP. ELEVATIONS



T·Y·LIN INTERNATIONAL



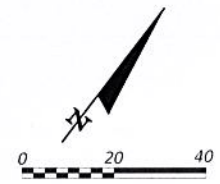
CITY OF MIAMI
 CAPITAL IMPROVEMENTS PROGRAM
 444 S.W. 2ND AVENUE, 8TH FLOOR
 MIAMI, FLORIDA 33130
 (305) 416-1213 FAX (305) 416-1253

CITY OF MIAMI CAPITAL IMPROVEMENTS PROGRAM	
PROJECT NAME	PROJECT No.
LUMMUS PARK LANDING AREA 250 NW N. RIVER DRIVE	B-30643

PAVING GRADING AND DRAINAGE PLAN

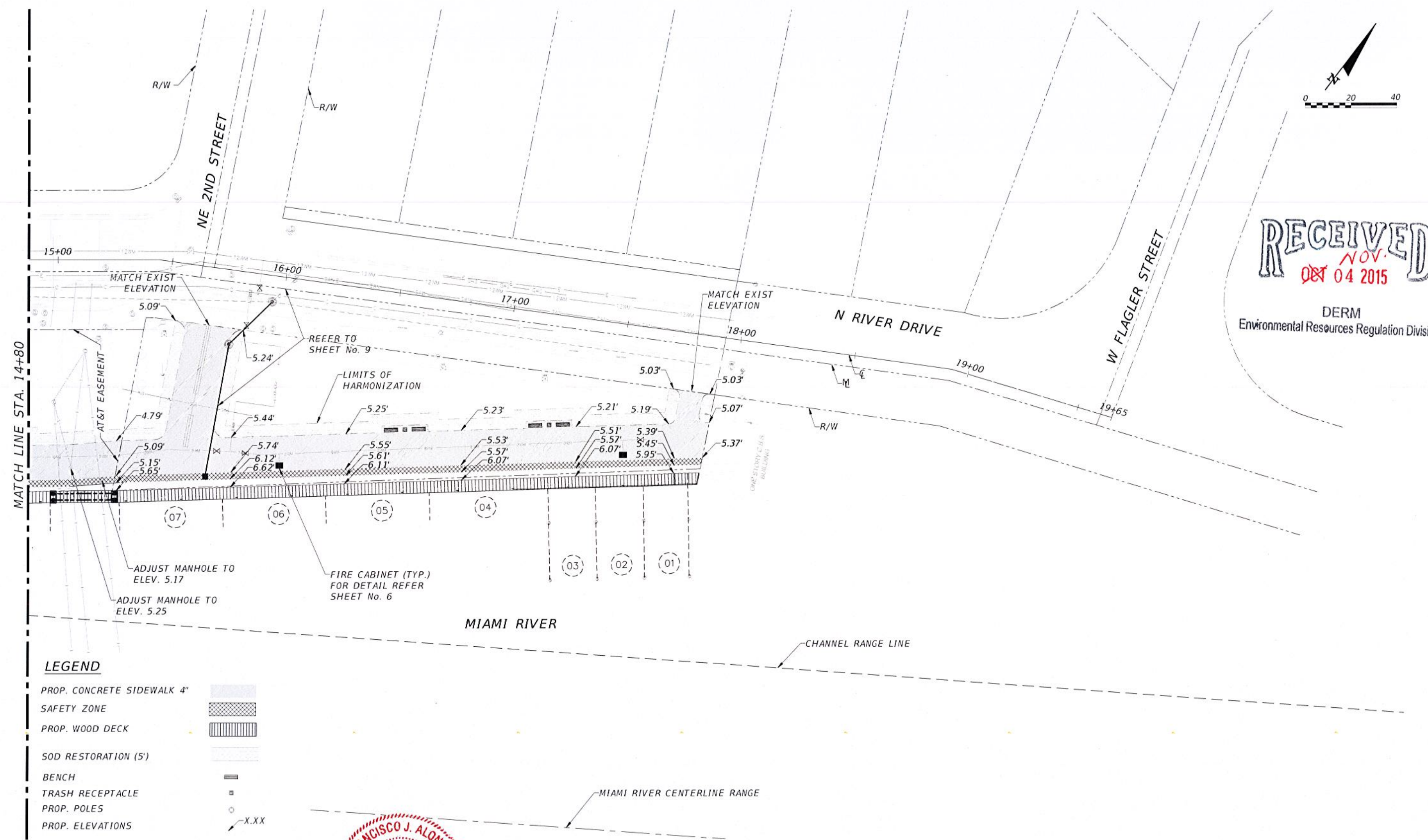
SHEET NO.
7

NOT FOR CONSTRUCTION 100% PLANS



RECEIVED
 NOV. 04 2015

DERM
 Environmental Resources Regulation Division



LEGEND

- PROP. CONCRETE SIDEWALK 4"
- SAFETY ZONE
- PROP. WOOD DECK
- SOD RESTORATION (5')
- BENCH
- TRASH RECEPTACLE
- PROP. POLES
- PROP. ELEVATIONS



EOR

T.Y. LIN INTERNATIONAL



CITY OF MIAMI
 CAPITAL IMPROVEMENTS PROGRAM
 444 S.W. 2ND AVENUE, 8TH FLOOR
 MIAMI, FLORIDA 33130
 (305) 416-1213 FAX (305) 416-1253

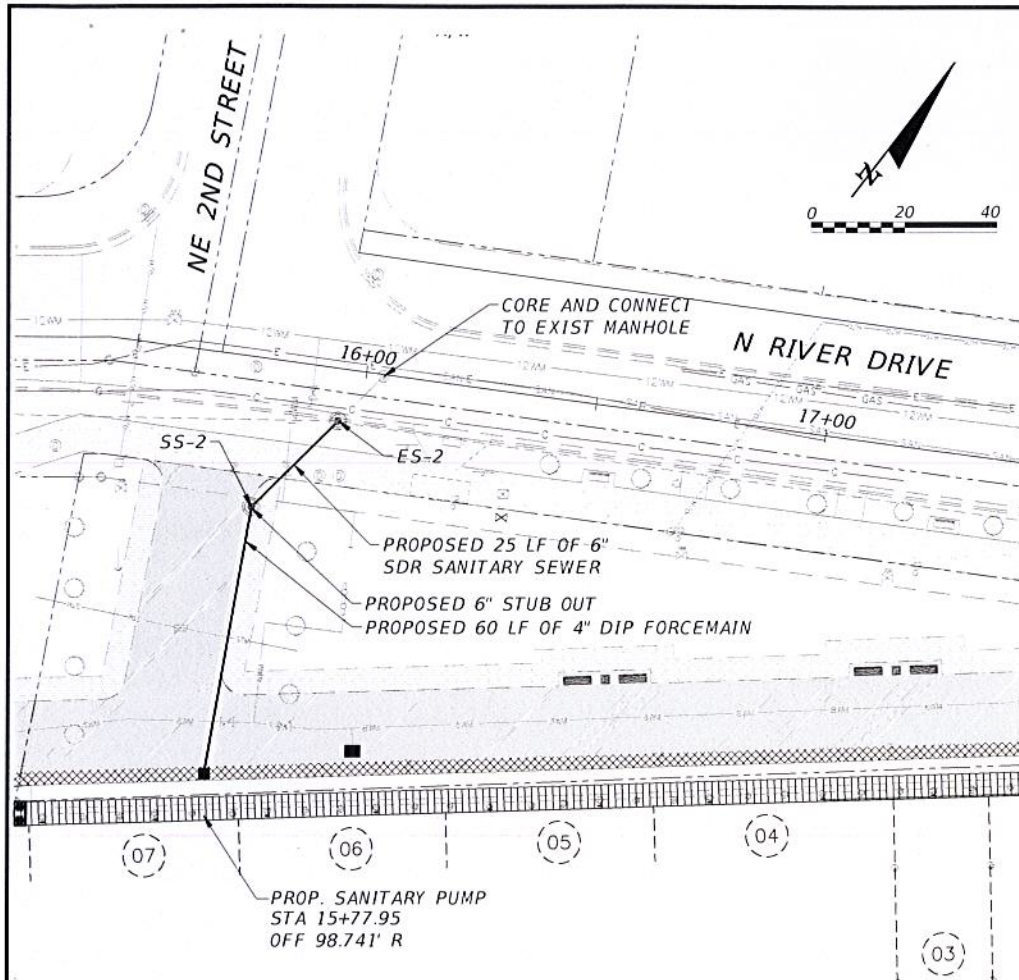
CITY OF MIAMI
 CAPITAL IMPROVEMENTS PROGRAM

PROJECT NAME	PROJECT No.
LUMMUS PARK LANDING AREA 250 NW N. RIVER DRIVE	B-30643

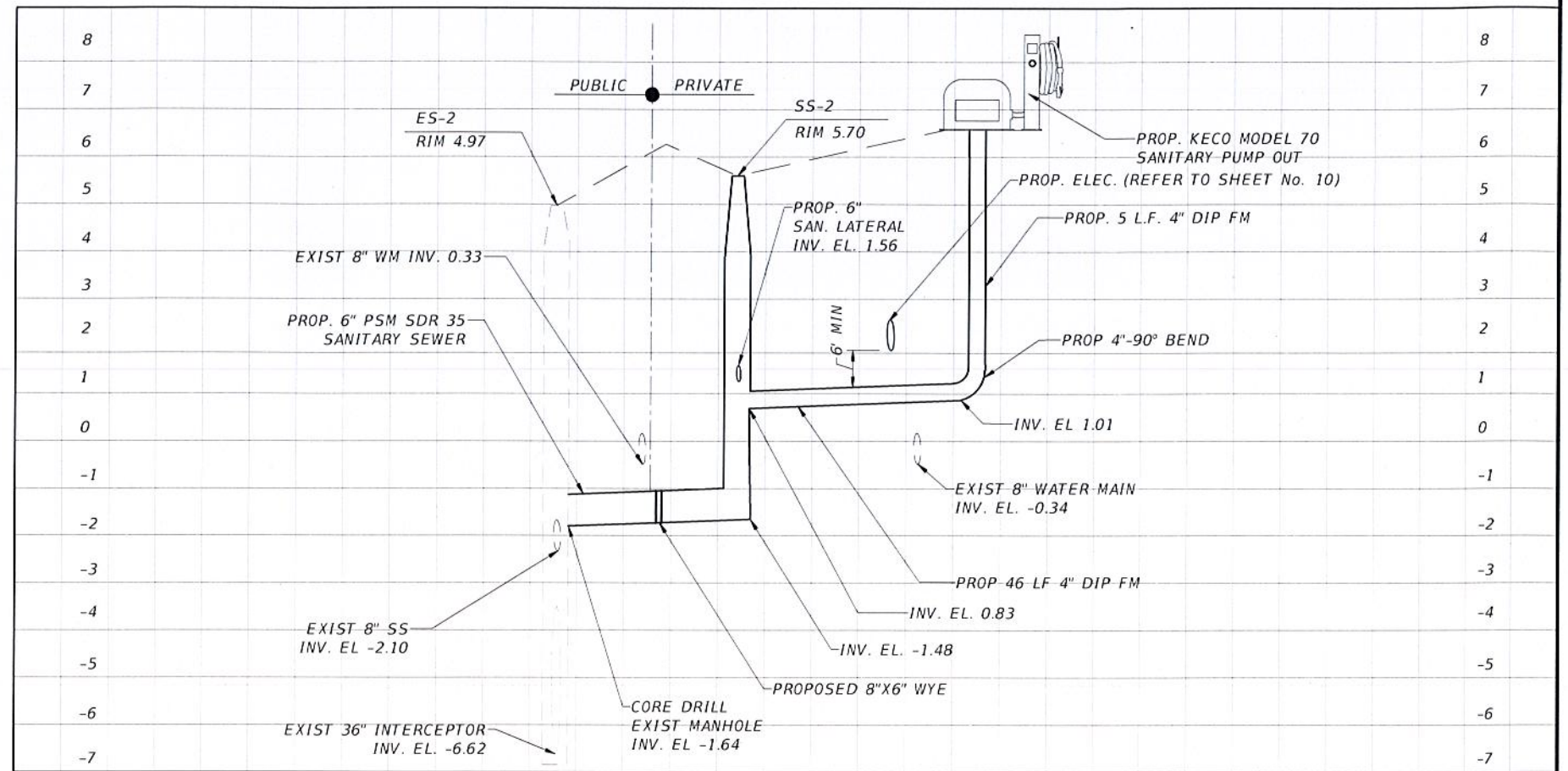
PAVING GRADING AND DRAINAGE PLAN

SHEET NO.
 8

NOT FOR CONSTRUCTION 100% PLANS



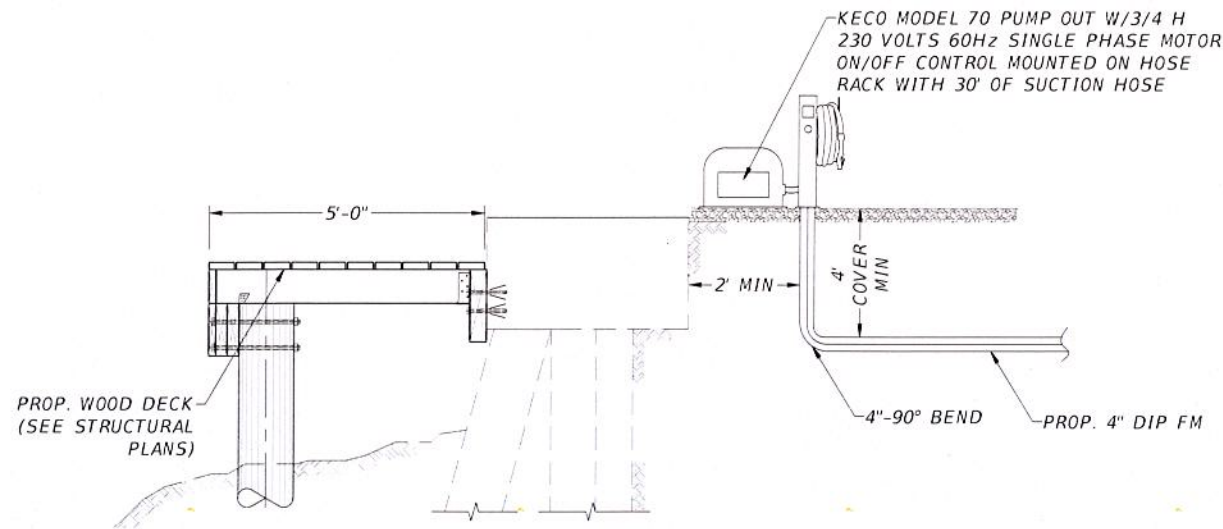
SEWER PUMP-OUT PLAN



SEWER PUMP-OUT PROFILE

RECEIVED
OCT 04 2015

DERM
Environmental Resources Regulation Division



SEWER PUMP-OUT DETAIL

1. THE SEWER PUMP AND APPURTENANCES SHALL BE AS MANUFACTURED BY KECCO OR APPROVED EQUAL.
2. REFER TO STRUCTURAL PLANS FOR DOCK CONSTRUCTION DETAIL.
3. CONTRACTOR TO PROVIDE ALL FITTINGS AND APPURTENANCES TO CONNECT PROP. 4" F.M. W/PROP 2" NPT ALUMINUM KECCO MODEL 70 PUMP OUT DISCHARGE.
4. CONTRACTOR SHALL TAKE NECESSARY PROTECTIVE MEASURES TO PROTECT THE INTEGRITY OF THE SEAWALL DURING THE INSTALLATION OF THE PROPOSED PUMP OUT AND FORCE MAIN.

LEGEND

- PROP. CONCRETE SIDEWALK 4"
- SAFETY ZONE
- PROP. WOOD DECK
- SOD RESTORATION (5')
- BENCH
- TRASH RECEPTACLE
- PROP. POLES
- PROP. ELEVATIONS



T-Y-LIN INTERNATIONAL



CITY OF MIAMI
CAPITAL IMPROVEMENTS PROGRAM
444 S.W. 2ND AVENUE, 8TH FLOOR
MIAMI, FLORIDA 33130
(305) 416-1213 FAX (305) 416-1253

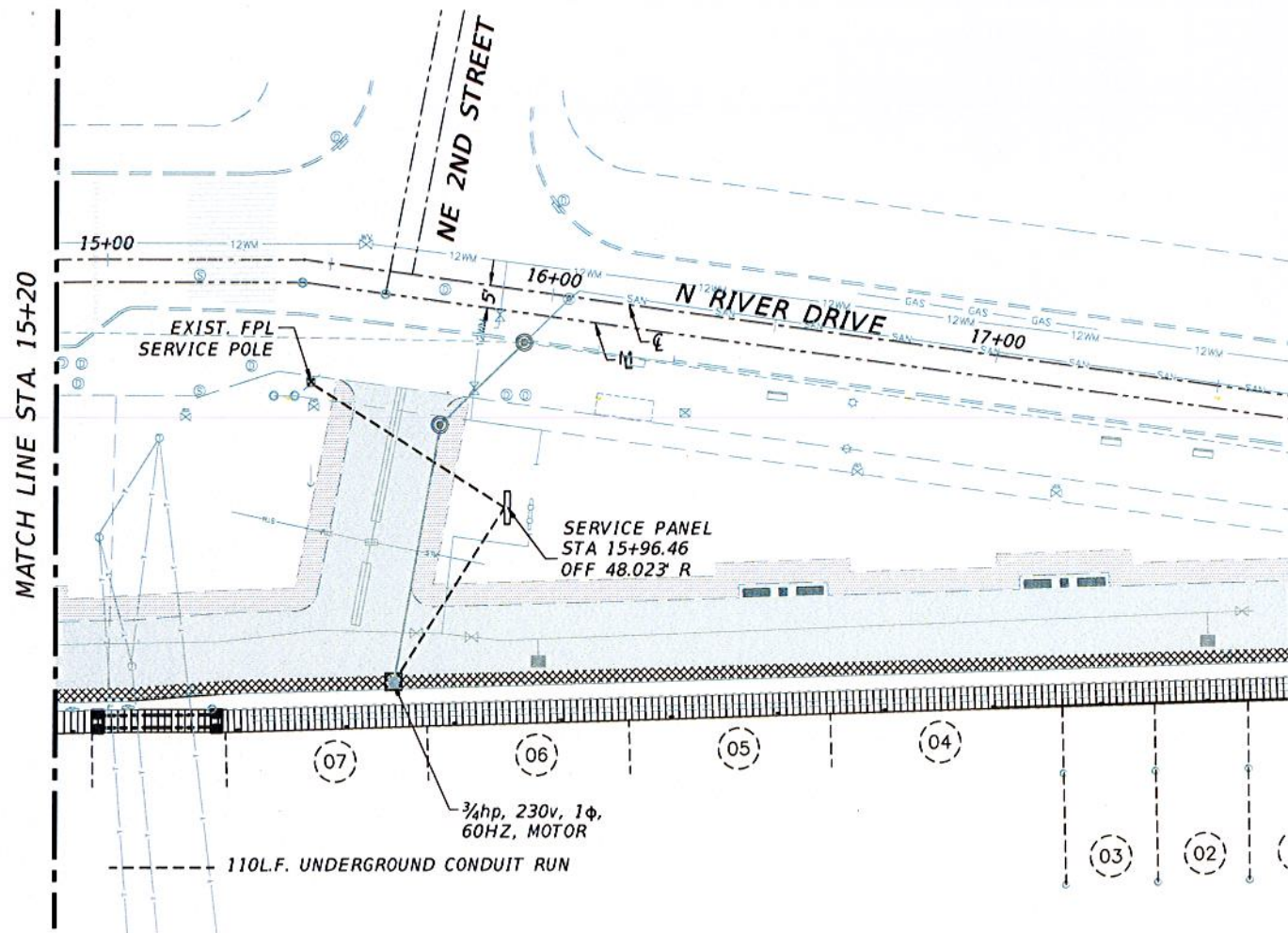
CITY OF MIAMI
CAPITAL IMPROVEMENTS PROGRAM

PROJECT NAME PROJECT No.
LUMMUS PARK LANDING AREA B-30643
250 NW N. RIVER DRIVE

SEWAGE COLLECTION SYSTEM

SHEET NO.

9



GENERAL NOTES

1. ALL ELECTRICAL WORK TO BE DONE IN ACCORDANCE WITH THE FLORIDA BUILDING CODE, NEC LATEST EDITION, NATIONAL FIRE PROTECTION ASSOCIATION, AND COMPLY WITH ALL LOCAL, STATE & FEDERAL RULES, REGULATIONS AND ORDINANCES.
2. ALL ELECTRICAL WORK SHALL BE PERFORMED BY A LICENSED ELECTRICAL CONTRACTOR. THE ELECTRICAL CONTRACTOR SHALL SECURE AND PAY FOR ANY PERMITS, CERTIFICATES OF INSPECTION AND ANY OTHER FEES.
3. SUBSTITUTE MATERIALS, EQUIPMENT OR METHODS SHALL NOT BE MADE WITHOUT APPROVAL OF THE ENGINEER. IF THE USE OF A SUBSTITUTE REQUIRES ANY CHANGE IN WORK, THE NECESSITY FOR SUCH CHANGE WILL BE BROUGHT TO THE ATTENTION OF THE ENGINEER, AND IF APPROVED, SHALL BE MADE AT NO COST TO THE OWNER.
4. CLEAN UP DAILY SUCH TRASH AND DEBRIS GENERATED BY THE WORK AND LEAVE COMPLETED WORK IN A CLEAN, UNDAMAGED, AND FINISHED CONDITION READY TO RECEIVE WITHOUT FURTHER PREPARATION, UNLESS SO SPECIFIED IN OTHER SECTIONS, ANY ADJACENT OR ABUTTING WORK TO BE PERFORMED BY OTHERS.
5. MATERIALS, DEVICES AND EQUIPMENT SHALL MEET THE REQUIREMENTS OF UNDERWRITERS' LABORATORIES AND SHALL BE NEW AND THE LATEST STANDARD PRODUCTS OF MANUFACTURERS REGULARLY ENGAGED IN THE PRODUCTION OF THE ITEM, UNLESS OTHERWISE INDICATED. LIKE ITEMS SHALL BE THE PRODUCT OF A SINGLE MANUFACTURER.
6. ALL CONDUCTORS SHALL BE COPPER AND RUN IN CONDUIT. WIRE TYPE SHALL BE THWN UNLESS OTHERWISE NOTED ON PLANS. PROVIDE GROUND CONDUCTOR PER NEC 250-95. DO NOT SHARE NEUTRALS, RUN A NEUTRAL WIRE FOR EACH CIRCUIT.
7. THE INTENT OF THESE PLANS IS TO PROVIDE A COMPLETE AND USABLE PROJECT. THESE PLANS ARE DIAGRAMMATIC IN CHARACTER AND ANY ITEMS WHICH ARE CLEARLY NECESSARY FOR THE COMPLETION OF THE WORK SHALL BE CONSIDERED A PORTION OF THE WORK EVEN THOUGH NOT DIRECTLY SPECIFIED OR SHOWN ON THIS DRAWING AND SHALL BE PROVIDED.
8. THE ELECTRICAL CONTRACTOR SHALL VERIFY THE EXACT LOCATION AND CONNECTION TO ALL EQUIPMENT FURNISHED BY OTHERS, PRIOR TO INSTALLING THE ELECTRICAL SYSTEM.
9. ALL UNDERGROUND ELECTRICAL CONDUITS TO BE P.V.C. SCHEDULE 40. MINIMUM UG CONDUIT SIZE SHALL BE 2" UNLESS OTHERWISE SPECIFIED. MINIMUM UNDERGROUND CONDUIT DEPTH SHALL BE 24". TRANSITION TO GRS BEFORE EMERGING ABOVE GROUND.
10. ALL ENCLOSURES OF ALL ELECTRICAL DEVICES SHALL BE NEMA 4X.

ELECTRICAL NOTES

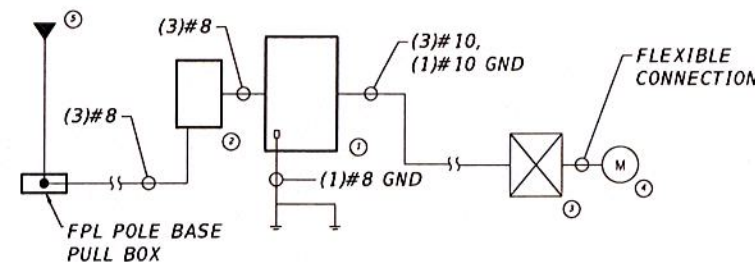
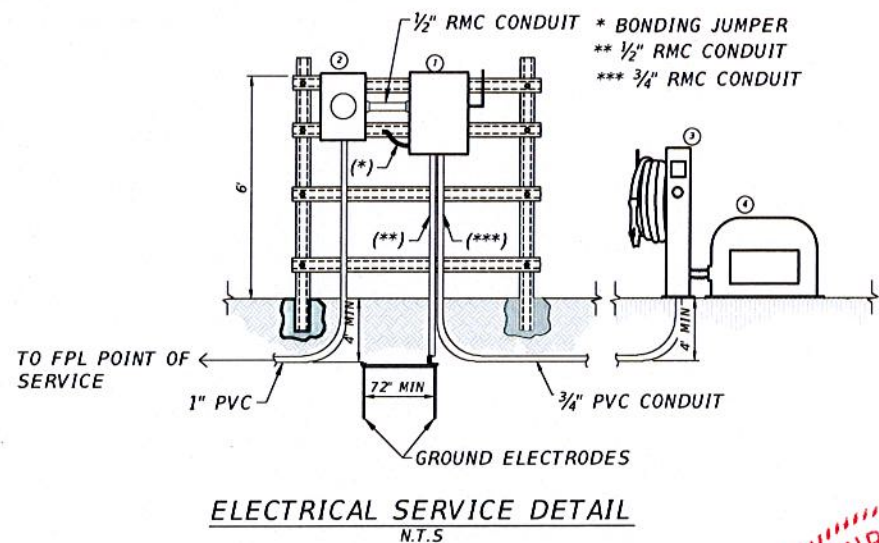
1. 120/240V, 30A, NEMA 4X, HEAVY DUTY DISCONNECT SWITCH SERVICE RATED WITH SERVICE GROUNDING KIT AND NEUTRAL ASSEMBLY. DISCONNECT SWITCH SHALL HAVE A CURRENT-LIMITING 30A FUSE CLASS RK5, FUSED AT 20A.
2. FPL SERVICE METER.
3. MOTOR CONTROLLER CENTER
4. SANITARY PUMP WITH 3/4hp, 230V, 1φ, 60Hz, 1725rpm MOTOR.
5. 120/240V, 1φ, AVAILABLE FPL SERVICE WITH AVAILABLE FAULT CURRENT OF 11,991 SYMMETRICAL AMPERES AS PER LETTER ADDRESSED BY FPL REPRESENTATIVE NANCY DIAZ-QUINONES ON NOVEMBER 20,2013.

RECEIVED
NOV 04 2015

DERM
Environmental Resources Regulation Division

TRENCHING

1. EMPLOY AN APPROVED SERVICE LOCATOR SUCH AS U.N.C.L.E. TO ENSURE THAT EXISTING UNDERGROUND UTILITIES REMAIN UNDISTURBED AND UNDAMAGED.
2. TRENCHES: FILL UP TO GRADE AND COMPACT, RAKE & REMOVE ROCKS IN EXCESS OF 1/2 INCHES, LAST 2 INCHES MUST BE A 50/50 MIXTURE OF TOP SOIL & SAND TO PROMOTE GRASS GROWING.
3. ANY EXISTING SOD, TREES, UTILITIES, IRRIGATION LINES, PUBLIC OR PRIVATE PROPERTY, ETC., DAMAGED DURING CONSTRUCTION SHALL BE REPAIRED, REPLACED AND/OR RESTORED AT THE EXPENSE OF THE CONTRACTOR.
4. CLEANUP ALL TRASH AND DEBRIS GENERATED BY THE WORK AND LEAVE COMPLETED WORK IN A CLEAN, UNDAMAGED AND FINISHED CONDITION READY TO RECEIVE WITHOUT FURTHER PREPARATION.



ENRIQUE SOSA JR.
LICENSE
No. 53885
PROFESSIONAL ENGINEER
STATE OF FLORIDA
10/13/15

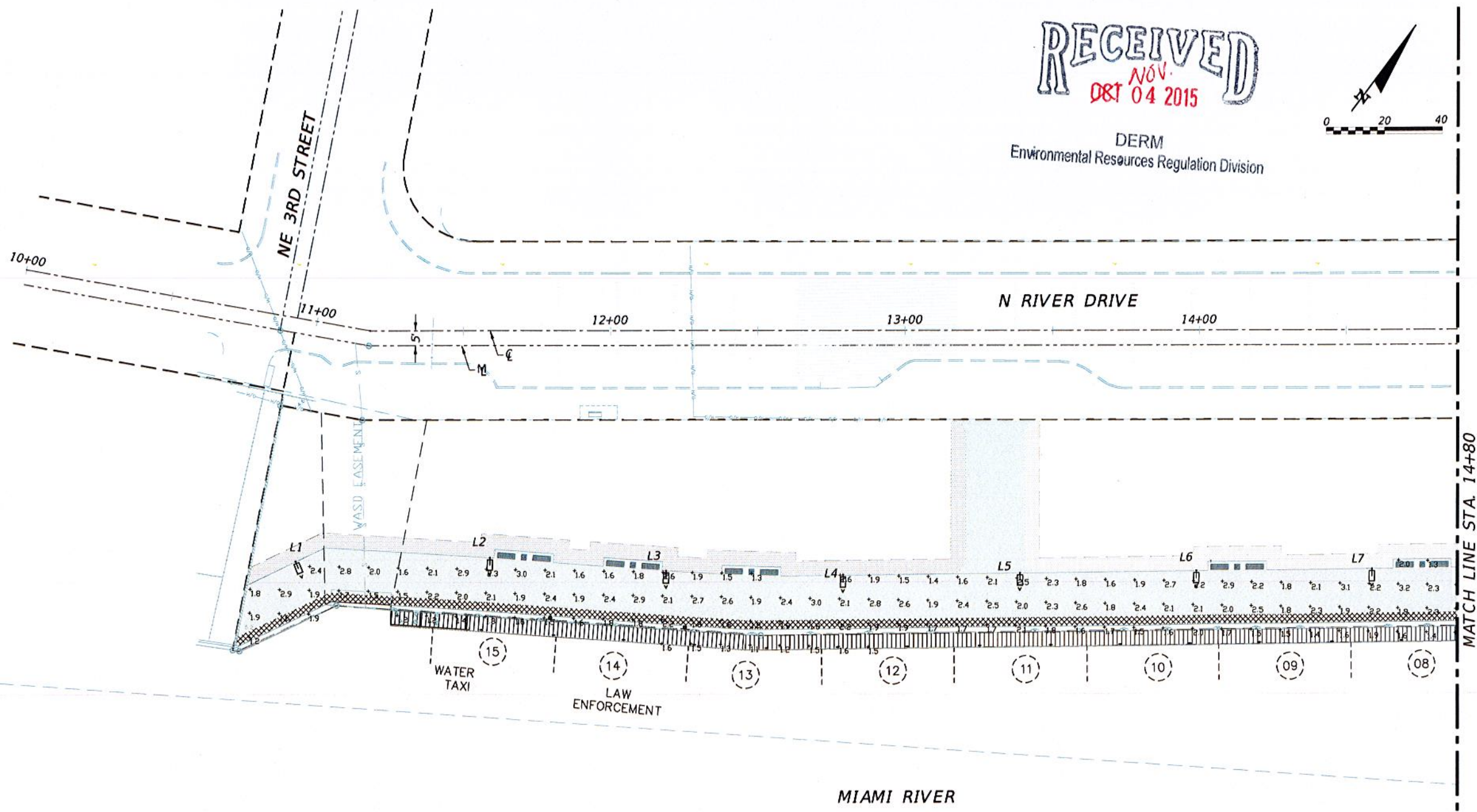
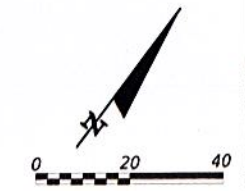
ELECTRICAL RISER DIAGRAM
N.T.S

REVISIONS		EOR	CITY OF MIAMI CAPITAL IMPROVEMENTS PROGRAM	CITY OF MIAMI CAPITAL IMPROVEMENTS PROGRAM		POWER PLAN	SHEET NO. 10
DATE	BY			PROJECT NAME	PROJECT No.		
			LUMMUS PARK LANDING AREA 250 NW N. RIVER DRIVE	B-30643			

NOT FOR CONSTRUCTION 100% PLANS

RECEIVED
 NOV. 04 2015

DERM
 Environmental Resources Regulation Division



MATCH LINE STA. 14+80

LEGEND:



POLE LOCATION SUMMARY					
STATION	OFFSET	POLE No.		STATION	OFFSET
11+07.25	80.80 R	1	2	11+59.41	76.49 R
12+19.25	80.94 R	3	4	12+79.25	82.29 R
13+39.23	81.70 R	5	6	13+99.15	80.97 R
14+59.18	80.49 R	7			

LIGHTING DESIGN CRITERIA	
I AVERAGE MAINTAINED ILLUMINATION =	2.0 FC
II MINIMUM ILLUMINATION =	1.0 FC
III MAXIMUM ILLUMINATION =	4.2 FC
IV AVERAGE TO MINIMUM (LESS THAN 4:1) =	2.0:1 FC
V MAXIMUM TO MINIMUM (LESS THAN 10:1) =	4.2:1 FC

REVISIONS	
DATE	DESCRIPTION

EOR
ENRIQUE R. SOSA, P.E.
 No. 53885
 T.Y. LIN CONSULTING ENGINEERS



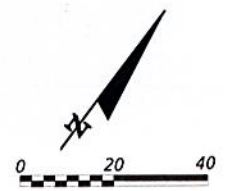
CITY OF MIAMI
 CAPITAL IMPROVEMENTS PROGRAM
 444 S.W. 2ND AVENUE, 8TH FLOOR
 MIAMI, FLORIDA 33130
 (305) 416-1213 FAX (305) 416-1253

CITY OF MIAMI CAPITAL IMPROVEMENTS PROGRAM	
PROJECT NAME	PROJECT No.
LUMMUS PARK LANDING AREA 250 NW N. RIVER DRIVE	B-30643

LIGHTING PLAN

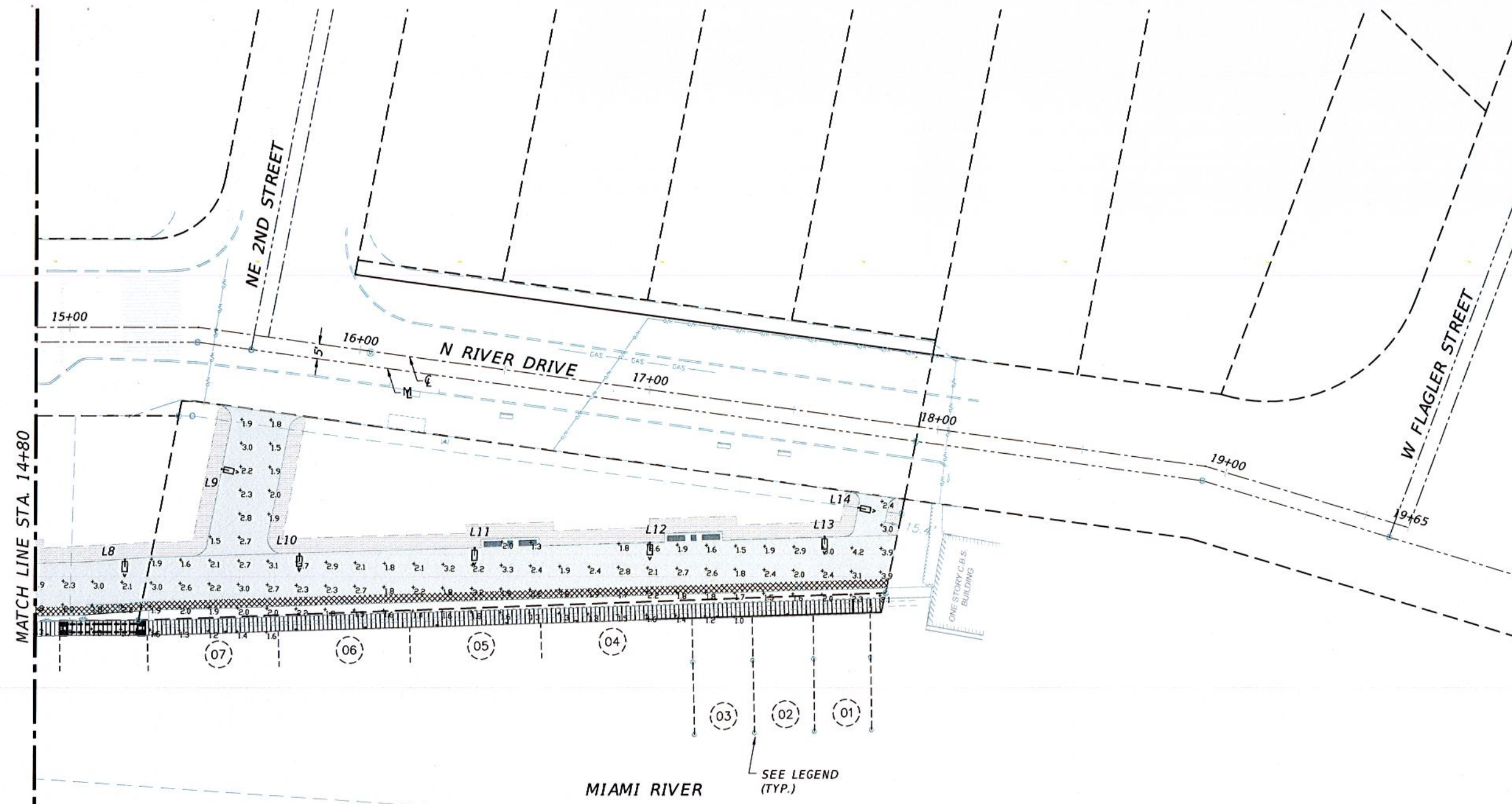
SHEET NO.
LT-1

NOT FOR CONSTRUCTION 100% PLANS



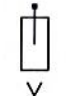

RECEIVED
 NOV. 04 2015

DERM
 Environmental Resources Regulation Division



MATCH LINE STA. 14+80

LEGEND:

-  1720 EVERGEN SOLAR LIGHT POLE
-  SL15 SOLAR LED MARINE LANTERN; 1-2nm VISIBILITY

POLE LOCATION SUMMARY

STATION	OFFSET	POLE No.	STATION	OFFSET
15+19.12	78.78 R	8	11+59.41	46.56 R
15+89.21	71.50 R	10	12+79.25	61.37 R
17+07.52	51.42 R	12	13+99.15	41.59 R
17+76.73	30.07 R	14		

LIGHTING DESIGN CRITERIA

I	AVERAGE MAINTAINED ILLUMINATION =	2.0 FC
II	MINIMUM ILLUMINATION =	1.0 FC
II	MAXIMUM ILLUMINATION =	4.2 FC
IV	AVERAGE TO MINIMUM (LESS THAN 4:1) =	2.0:1 FC
V	MAXIMUM TO MINIMUM (LESS THAN 10:1) =	4.2:1 FC

REVISIONS	
DATE	DESCRIPTION

EOR
 Enrique B. Sosa, P.E.
 No. 53885
 T-Y-LIN INTERNATIONAL



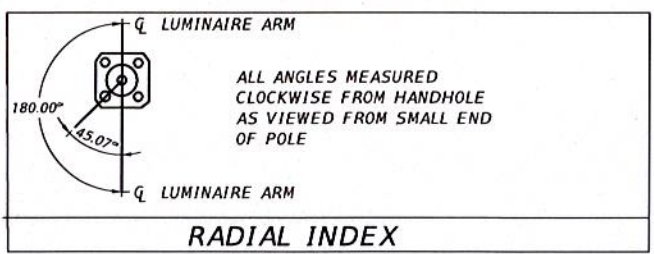
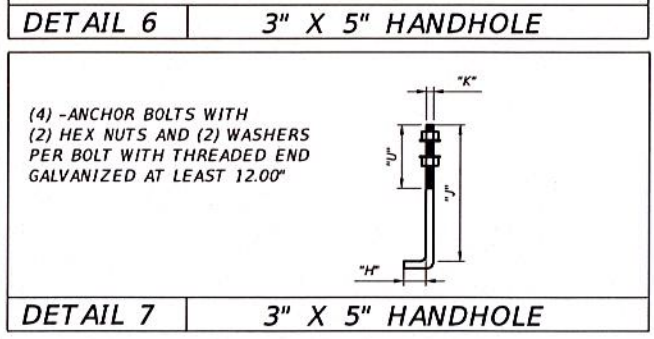
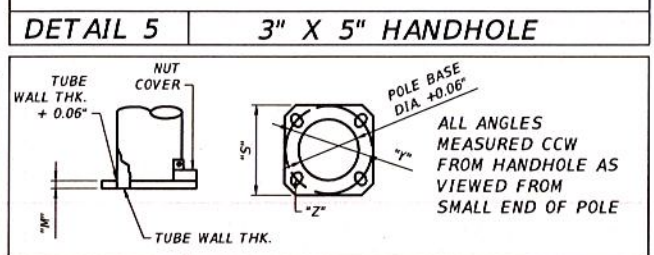
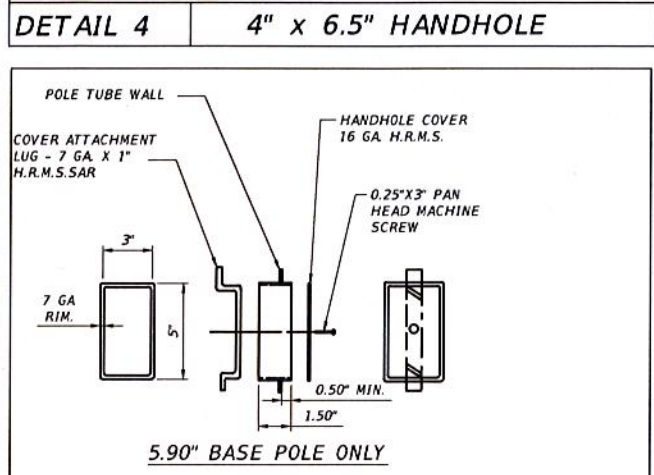
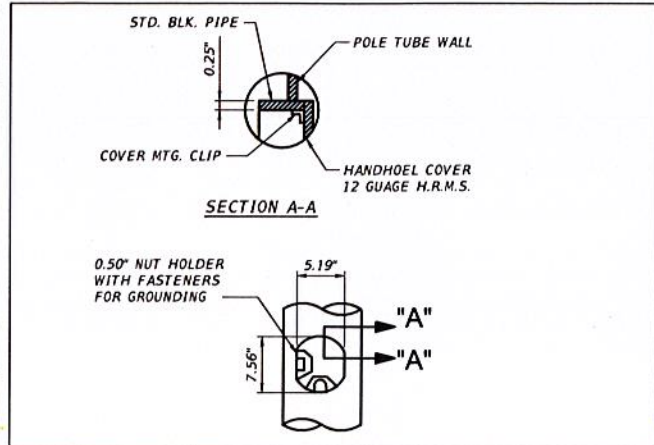
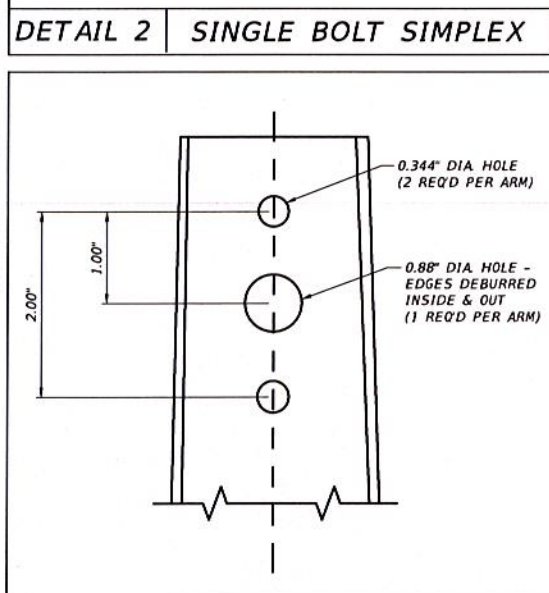
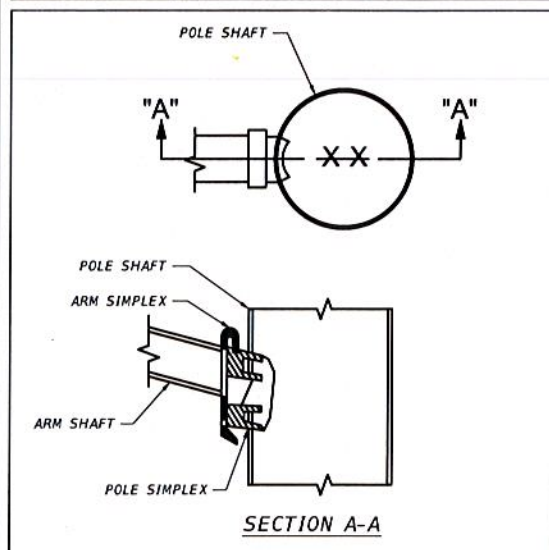
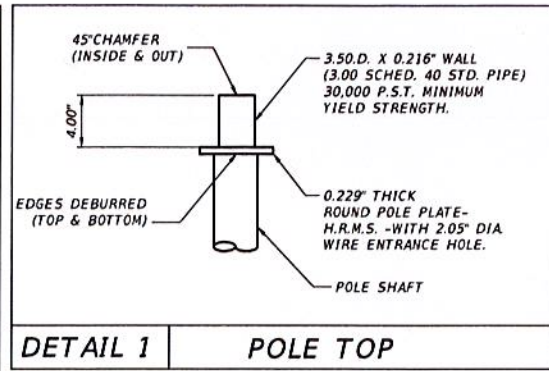
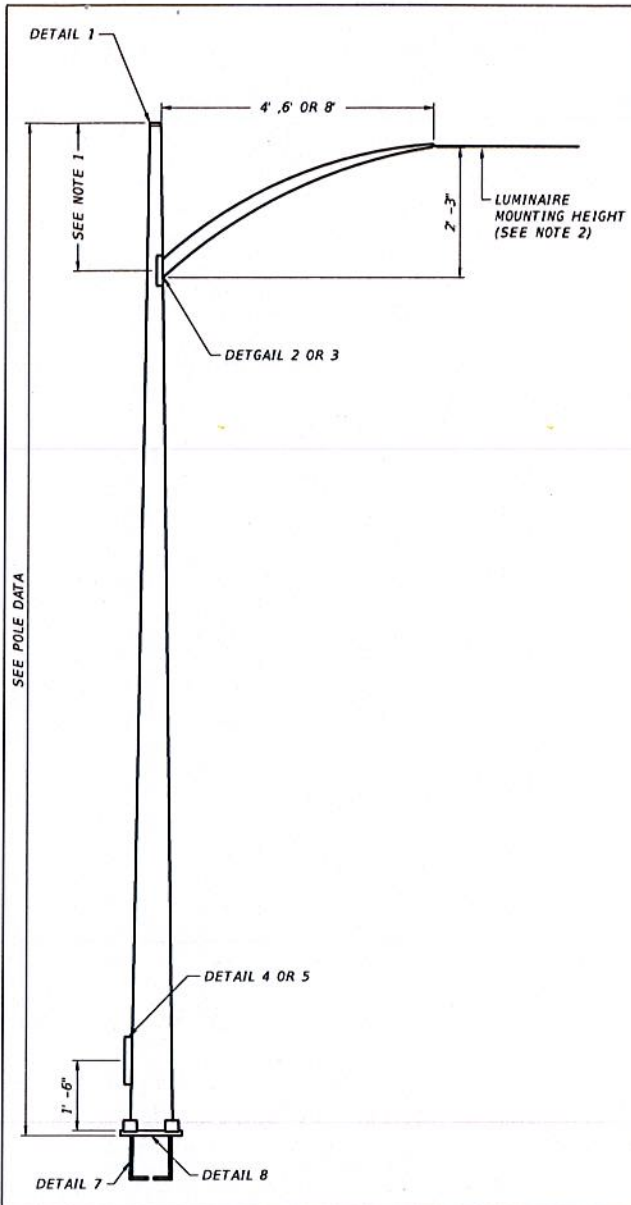
CITY OF MIAMI
 CAPITAL IMPROVEMENTS PROGRAM
 444 S.W. 2ND AVENUE, 8TH FLOOR
 MIAMI, FLORIDA 33130
 (305) 416-1213 FAX (305) 416-1253

CITY OF MIAMI CAPITAL IMPROVEMENTS PROGRAM	
PROJECT NAME	PROJECT No.
LUMMUS PARK LANDING AREA 250 NW N. RIVER DRIVE	B-30643

LIGHTING PLAN

SHEET NO.
 LT-2

NOT FOR CONSTRUCTION 100% PLANS



ELECTRICAL NOTES:

- A. CONTRACTOR SHALL BE RESPONSIBLE FOR LOCATING, PROTECTING AND AVOIDING ALL UNDERGROUND UTILITIES AND STRUCTURAL CONFLICTS IN COOPERATION WITH THE UTILITY COMPANY(S) PRIOR TO CONSTRUCTION.
- B. CONTRACTOR SHALL BE RESPONSIBLE FOR DAMAGE TO ANY EXISTING UTILITIES FOR WHICH IT FAILS TO LOCATE AS WELL AS FOR DAMAGE TO ANY EXISTING UTILITIES WHICH ARE PROPERLY LOCATED. REPAIRS SHALL BE PERFORMED TO THE SATISFACTION OF THE CITY OF MIAMI. NO ADDITIONAL PAYMENTS WOULD BE AUTHORIZED.
- C. STATIONING MAY BE ADJUSTED AS DIRECTED BY THE CITY OF MIAMI REPRESENTATIVE TO AVOID UTILITY OR STRUCTURAL CONFLICTS NOT INDICATED IN THE PLANS.
- D. SIDEWALK SLABS DAMAGED DURING CONSTRUCTION SHALL BE REPLACED IN FULL AND COLORED WHERE NECESSARY TO MATCH THE EXISTING SIDEWALK.
- E. CONTRACTOR MUST MAINTAIN THE EXISTING LIGHTING SYSTEM OR SUPPLY A TEMPORARY ONE UNTIL THE NEW LIGHTING SYSTEM CAN BE ACTIVATED.
- F. ALL MATERIAL, UNLESS OTHERWISE SPECIFIED, SHALL BE UNDERWRITER'S LABORATORY APPROVED.
- G. THE LUMINAIRE MANUFACTURER SHALL PLACE A PERMANENT TAG ON THE LUMINAIRE HOUSING ON WHICH IS IMPRINTED THE FOLLOWING INFORMATION: WATTAGE, BALLAST TYPE, LAMP SHOWN ON DESIGN PLANS, LAMP SETTING (POSITION IN LUMINAIRE), I.E.S. LIGHT DISTRIBUTION WITH THIS LAMP IN THE POSITION SPECIFIED, INPUT VOLTAGE AND POWER FACTOR; LUMINAIRE PHOTOMETRIC SUBMITTALS REQUIRED.
- H. FPL CO. SHALL DISCONNECT AND REMOVE EXISTING BRACKETS AND COBRA HEADS AND DISPOSE OF THEM AS PER "CITY OF MIAMI" WRITTEN INSTRUCTIONS.
- I. CONTRACTOR SHALL INSTALL MATERIALS SUPPLIED BY FLORIDA POWER AND LIGHT COMPANY.
- J. INCIDENTAL ITEMS OR ACCESSORIES REQUIRED TO COMPLETE THE WORK SHALL BE SUPPLIED AND INSTALLED BY CONTRACTOR.

FIXTURE NOTES:

1. CARMANAH EVERGEN 1720 MODEL WITH INTEGRATED POLE TOP SOLAR ENGINE ENCLOSURE CONTAINING SOLAR PANELS, ENERGY MANAGEMENT SYSTEM, AND BATTERIES. CATALOG NUMBER 1720-SV-45-RND-N-5430-5-SF-STR.LWY.D-T2M-HT-06-SV-N-43K-15-06-2844A SEE CODED NOTE 2.
2. 1720 SOLAR ENGINE MODEL, SILVER ENCLOSURE AND FIXTURE, 20°-45° SOLAR PANEL TILT DEPENDING ON WIND SPEED ZONE, ROUND POLE MOUNTING OPTION, DUSK UNTIL DAWN OPERATION, SINGLE FIXTURE WITH 60 LEDS PER SYSTEM AND MANUFACTURER SETTING OF 2844A. CONTRACTOR TO PROVIDE ALL ACCESSORIES BY BOTH POST AND LUMINAIRE MANUFACTURER TO GUARANTEE PERFECT FIT AND A COMPLETE INSTALLATION. POST/BASE AND POST TOP TO SUSTAIN F.B.C. WIND LOAD REQUIREMENTS. MANUFACTURER TO SUBMIT FLORIDA STRUCTURAL ENGINEERING SIGNED AND SEALED CALCULATION COMPLYING WITH THIS REQUIREMENTS.
3. CONTRACTOR SHALL CONTACT SESCO LIGHTING REPRESENTATIVE FOR DETAILED SIMULATION OF HIGH WIND SPEED ZONE IN ADDITION TO SPECIFIC INFORMATION NECESSARY FOR PROPER INSTALLATION AND OPERATION VIA (954) 474-9888.

RECEIVED

NOV 04 2015

DERM
Environmental Resources Regulation Division

MATERIAL DATA		
COMPONENT	ASM DESIGNATION	MIN. YIELD(KSI)
POLE SHAFT	A595 GR. A OR A572	55
BASE PLATE	A36	36
ARM SHAFT	Z SCHED. 40	
SIMPLEX ATTACHMENTS	A27 GR65-35	
ANCHOR BOLTS	F1554 GR55	55
GALVANIZING-HARDWARE	A153	
GALVANIZING-STRUCTURE	A123	

DETAIL NOTES:

1. DETAIL 3 IS LOCATED 2'-6" FROM POLE TOP, DETAIL 4 (EDGE DRILLING) IS LOCATED 3" FROM POLE TOP.
2. LUMINAIRE MOUNTING HEIGHT WILL VARY DEPENDING ON POLE HEIGHT.
3. A HANDHOLE WILL BE LOCATED OPPOSITE THE DRILLING AT THE SAME ELEVATION TO PROVIDE ACCESS.

ENRIQUE SOSA JR.
 LICENSE
 No. 53885
 STATE OF FLORIDA
 PROFESSIONAL ENGINEER
 No. 53885

T-Y-LIN INTERNATIONAL

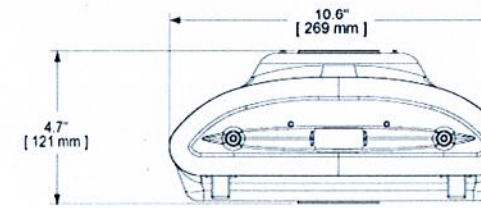
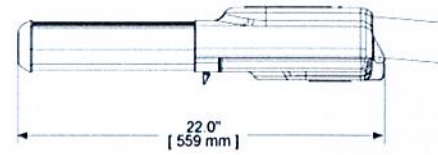
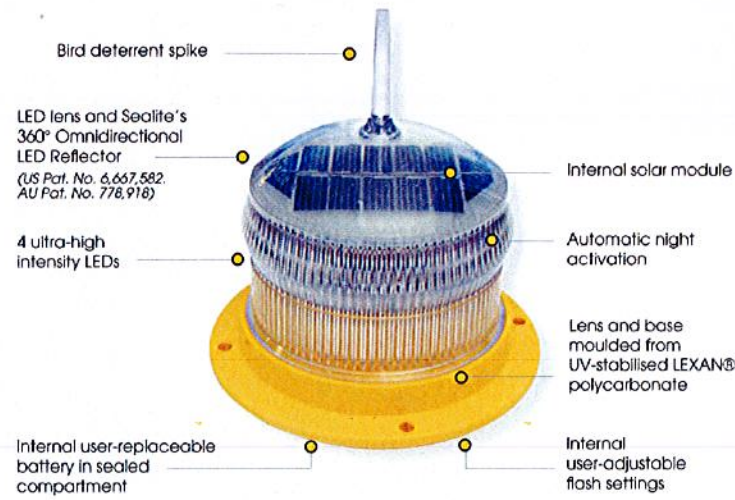
CITY OF MIAMI
 CAPITAL IMPROVEMENTS PROGRAM
 444 S.W. 2ND AVENUE, 8TH FLOOR
 MIAMI, FLORIDA 33130
 (305) 416-1213 FAX (305) 416-1253

CITY OF MIAMI CAPITAL IMPROVEMENTS PROGRAM	
PROJECT NAME	PROJECT No.
LUMMUS PARK LANDING AREA 250 NW N. RIVER DRIVE	B-30643

LIGHTING DETAILS

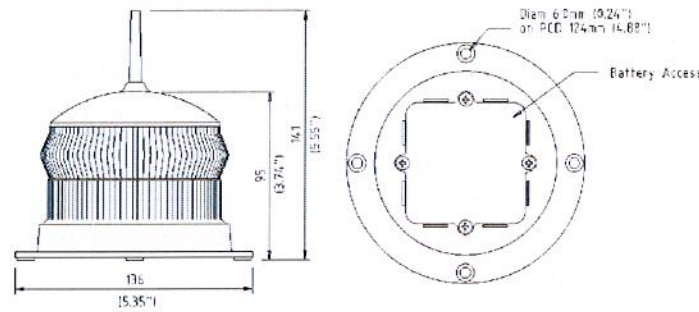
SHEET NO.
LT-3

NOT FOR CONSTRUCTION 100% PLANS



FIXTURES

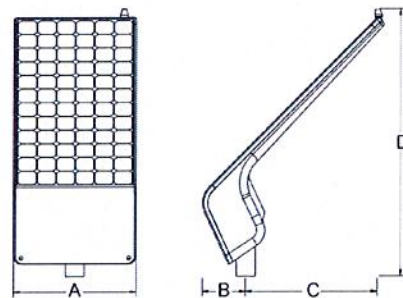
SL15 SOLAR MARINE LIGHT



SOLAR MARINE LIGHT DIMENSIONS

RECEIVED
NOV 04 2015

DERM
Environmental Resources Regulation Division



SOLAR PANEL

SOLAR ENGINE WIND LOAD AND DIMENSIONS
45 degree mounting angle
Dim A: 32.5 in (83 cm)
Dim B: 11.4 in (29 cm)
Dim C: 34.6 in (88 cm)
Dim D: 67.2 in (171 cm)

ENRIQUE SOSA JR.
LICENSE
No. 53885
STATE OF FLORIDA
PROFESSIONAL ENGINEER
No. 153885

T-Y-LIN INTERNATIONAL



CITY OF MIAMI
CAPITAL IMPROVEMENTS PROGRAM
444 S.W. 2ND AVENUE, 8TH FLOOR
MIAMI, FLORIDA 33130
(305) 416-1213 FAX (305) 416-1253

CITY OF MIAMI
CAPITAL IMPROVEMENTS PROGRAM

PROJECT NAME: LUMMUS PARK LANDING AREA
PROJECT No.: B-30643
250 NW N. RIVER DRIVE

LIGHTING DETAILS

SHEET NO.

LT-4

WOOD GENERAL NOTES:

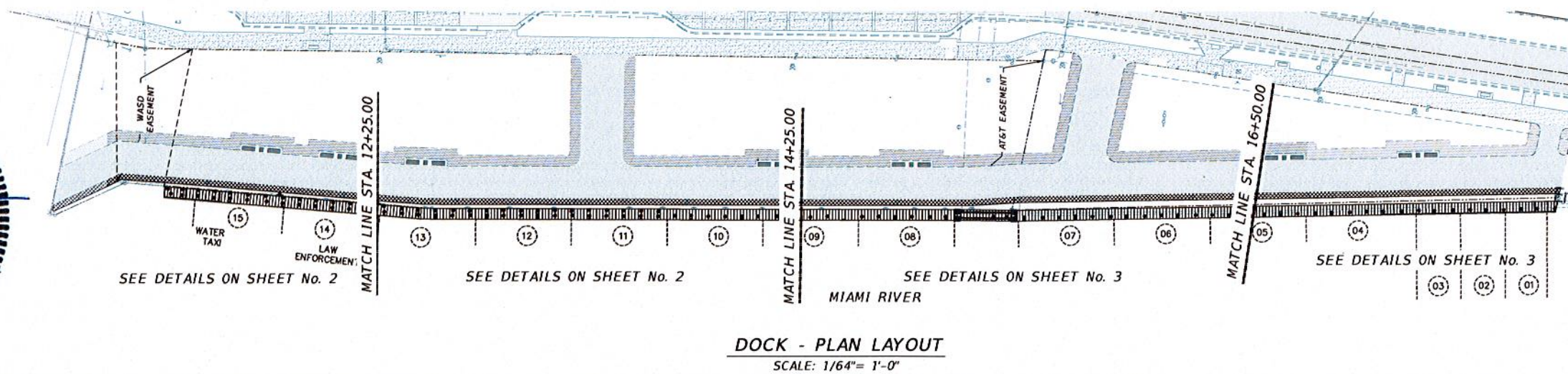
- 1.0 GENERAL:
THE FOLLOWING SPECIFICATIONS GOVERN:
- 1.1 NDS (2006)
- 1.2 AISC (2011)
- 1.3 ACI (2008)
- 2.0 DESIGN CRITERIA:
2.1 LIVE LOAD ON DECK: 100 PSF
2.2 DEAD LOAD: 20 PSF
2.3 DENSITY OF WOOD: 50 lb/Ft³
2.4 2000 POUNDS MAXIMUM MOORING LOADS PER CLEAT @ 8'-0" MIN.
- 3.0 ELEVATIONS:
3.1 ALL ELEVATIONS ARE IN FEET AND TENTHS AND THE CONTRACTOR SHALL VERIFY ALL ELEVATIONS PRIOR TO CONSTRUCTION.
3.2 ALL ELEVATIONS ARE REFERENCED TO N.G.V.D.
- 4.0 COORDINATION:
4.1 STRUCTURAL DRAWINGS SHALL BE WORKED TOGETHER WITH CIVIL, MECHANICAL AND ELECTRICAL DRAWINGS. ANY DISCREPANCY WITH THE STRUCTURAL DRAWING SHALL BE BROUGHT TO THE ATTENTION OF THE ENGINEER BEFORE PROCEEDING WITH THE WORK.
4.2 CONTRACTOR SHALL FIELD VERIFY ALL DIMENSIONS AND SHALL REPORT ANY DISCREPANCIES TO THE ENGINEER OF RECORD BEFORE PROCEEDING WITH THE WORK.
- 5.0 TIMBER
5.1 ALL TIMBER OTHER THAN PILES SHALL BE PRESSURE TREATED No. 1 SOUTHERN YELLOW PINE OR BETTER HAVING THE FOLLOWING PROPERTIES WHEN MOISTURE CONTENT EXCEEDS 19%. (GRADE No. 1)
Fb= 1350 psi (2x6) (DECKING)
Fb= 1250 psi (3x8) (STRINGERS)
Fb= 1000 psi (3x12) (JOISTS)
E= 1600,000 psi (MODULUS OF ELASTICITY)
5.2 ALL TIMBER SHALL BE PRESSURE TREATED WITH CHROMATED COPPER ARSENATE (CCA) FOR MARINE USE WITH A MINIMUM RETENTION IN POUNDS PER CUBIC FT. AS FOLLOWS:
• PILING = 2.50
• JOISTS, STRINGERS AND BLOCKINGS = 2.50
• DECKING = 0.60
5.3 TREATMENT SHALL BE IN CONFORMANCE WITH THE STANDARDS OF AWPA C18 CUT OR SAWED SURFACES IN PRESERVATIVE TREATED MEMBERS SHALL RECEIVE TWO COATS OF THE SAME PRESERVATIVE USED IN THE ORIGINAL TREATMENT.
5.4 TIMBER DECKING SHALL BE PLACED "BACKSIDE" FACE UP, AND BE CUT IN CONTINUOUS LENGTH. ANCHORS OF DECKING TO FRAMING SYSTEM SHALL BE HAND TIGHT. TIMBER DECK SHALL BE FREE OF SPLINTERS WARPAGE, BOW, ETC., AND SHALL BE "PLANED" TO A FINISHED SURFACE. SPACING BETWEEN DECK BOARDS SHALL BE 1/2".
5.5 TIMBER PILE, JOISTS AND STRINGERS SHALL BE ROUGH SAWN.
5.6 TIMBER PILES SHALL BE GREENHEART GRADE HS WITH fb= 3785 PSI MIN.

WOOD GENERAL NOTES (CONTINUED):

- 6.0 HARDWARE:
6.1 ALL HARDWARE INCLUDING BOLTS, NUTS, WASHERS, STEEL ANGLES, ETC. SHALL BE HOT-DIPPED GALVANIZED AFTER FABRICATION IN CONFORMANCE WITH ASTM A123. TIMBER SHALL BE PREDRILLED FOR THE NAIL INSTALLATION AND BOLTED CONNECTORS TO AVOID SPLITTING.
- 7.0 STRUCTURAL STEEL:
7.1 STRUCTURAL STEEL BOLTS AND FASTENERS SHALL CONFORM TO ASTM A307.
- 8.0 CLEATS:
8.1 CLEATS SHALL BE AS SPECIFIED BELOW OR APPROVED EQUAL:
CAST STEEL CLEATS CAPABLE OF RESISTING 2,200 POUNDS. SUBMIT CUT SHEET FOR APPROVAL
- 9.0 SHOP DRAWINGS
9.1 CONTRACTOR SHALL SUBMIT DETAILED SHOP DRAWINGS FOR THE FOLLOWING, FOR REVIEW AND APPROVAL, PRIOR TO CONSTRUCTION OR INSTALLATION.
9.2 TREATMENT PLANT DATA FOR PILES SHOWING THE FOLLOWING:
• TYPE CERTIFICATION
• CHEMICAL PROCESS USED FOR TREATMENT
• NET AMOUNT OF CHEMICAL RETAINED
9.3 FASTENERS
- 10 FOUNDATION
10.1 EXISTING PILES ASSUMED TO BE 12" Ø GREENHEART TIMBER DRIVEN 5' INTO ROCK OR FIRM SOIL AS DETAILED IN MIAMI-DADE DERM'S APPROVAL DATED 5-4-2004.

CONCRETE GENERAL NOTES:

- 1. THE WORK CONSIST OF FURNISHING ALL PLANT, LABOR, MATERIALS, AND EQUIPMENT TO INSTALL A DOCK AND CONCRETE CAP OVER EXISTING SEAWALL.
- 2. CONTRACTOR SHALL INSTALL PILING DOCK BY COMBINATION OF LAND AND WATER BASED EQUIPMENT.
- 3. CALL 1-800 432 4770 NO CUTS.
- 4. CONTRACTOR SHALL REPLACE ALL UTILITIES DAMAGED BY CONSTRUCTION
- 5. CONTRACTOR SHALL DRIVE ONE (1) TEST PILES TO VERIFY BEARING AND LENGTH. TEST PILES WILL DETERMINE REMAINING PILE LENGTH.
- 6. CONTRACTOR SHALL EMPLOY GEOTECHNICAL ENGINEER TO TAKE CONCRETE TEST & PILE LOGS. COPIES OF THESE SHALL BE SUBMITTED TO THE ENGINEER.
- 7. ALL 12" PILES SHALL BE DRIVEN TO A MINIMUM PILE TIP ELEVATION OF 15 FEET AND ACHIEVE A BEARING CAPACITY OF 30 kps.
- 8. ALL PILING TO HAVE CLASS V FINISH CORROSION INHIBITOR REQUIRED FOR PILING.
- 9. USE FDOT 2014 DESIGN STANDARDS INDEX 20612 FOR PILE REINFORCING.
- 10. ALL PILES SHALL BE DRIVEN TO SPECIFIED GRADE AND SHALL ACHIEVE A FINAL ELEVATION. ALL PILE CUTOFFS SHALL BE TREATED WITH AN EPOXY SEALER.
- 11.0 STRUCTURAL NOTES:
11.1 MINIMUM CONCRETE COVER FOR REINFORCING SHALL BE 3 INCHES.
11.2 ALL EXPOSED CONCRETE EDGES SHALL BE CHAMFERED 3/4", OR AS SHOWN.
11.3 SPLICES IN REINFORCING STEEL BARS SHALL BE A MINIMUM OF 30 BAR DIAMETERS EXCEPT WHERE DIMENSIONED OTHERWISE.
11.4 REINFORCING STEEL SHALL CONFORM TO ASTM A-615, GRADE 60. SHOP DRAWINGS SHALL SHOW THE ACTUAL MILL MARK ON THE RE-BARS MEETING ASTM A-615. RE-BARS WITHOUT THIS DESIGNATION MILL MARK SHALL BE REMOVED IMMEDIATELY FROM THE JOB SITE.
11.5 ALL PILES SHALL BE DRIVEN 5 FEET INTO ROCK OR 10 FEET INTO YIELDING MATERIAL.
11.6 CONCRETE:
 (Fc' - MINIMUM ULTIMATE COMPRESSIVE STRENGTH AT 28 DAYS)
 a. CAST-IN-PLACE CONCRETE Fc'- 3,000 PSI
 b. PRECAST PRESTRESSED CONCRETE PILES Fc'- 5,000 PSI
11.7 STRUCTURAL DESIGN IN ACCORDANCE WITH THE FOLLOWING CODES:
 - THE FLORIDA BUILDING CODE 2010
 - ACI 318-08 STANDARD BUILDING CODE REQUIREMENTS FOR REINFORCED CONCRETE
 - THE AMERICAN INSTITUTE OF STEEL CONSTRUCTION 2011
- 12.0 SHOP DRAWINGS:
THE FOLLOWING SHOP DRAWINGS SHALL BE SUBMITTED:
12.1 REINFORCING STEEL.
12.2 CONCRETE MIX.
12.3 STRUCTURAL STEEL.
12.4 PRECAST PRESTRESSED CONCRETE PILES PER FDOT INDEX 20601.
12.5 PREFABRICATED ALUMINUM LADDER.



DERM
Environmental Resources Regulation Division

**RER - NATURAL RESOURCES DIVISION
PRELIMINARY APPROVAL**

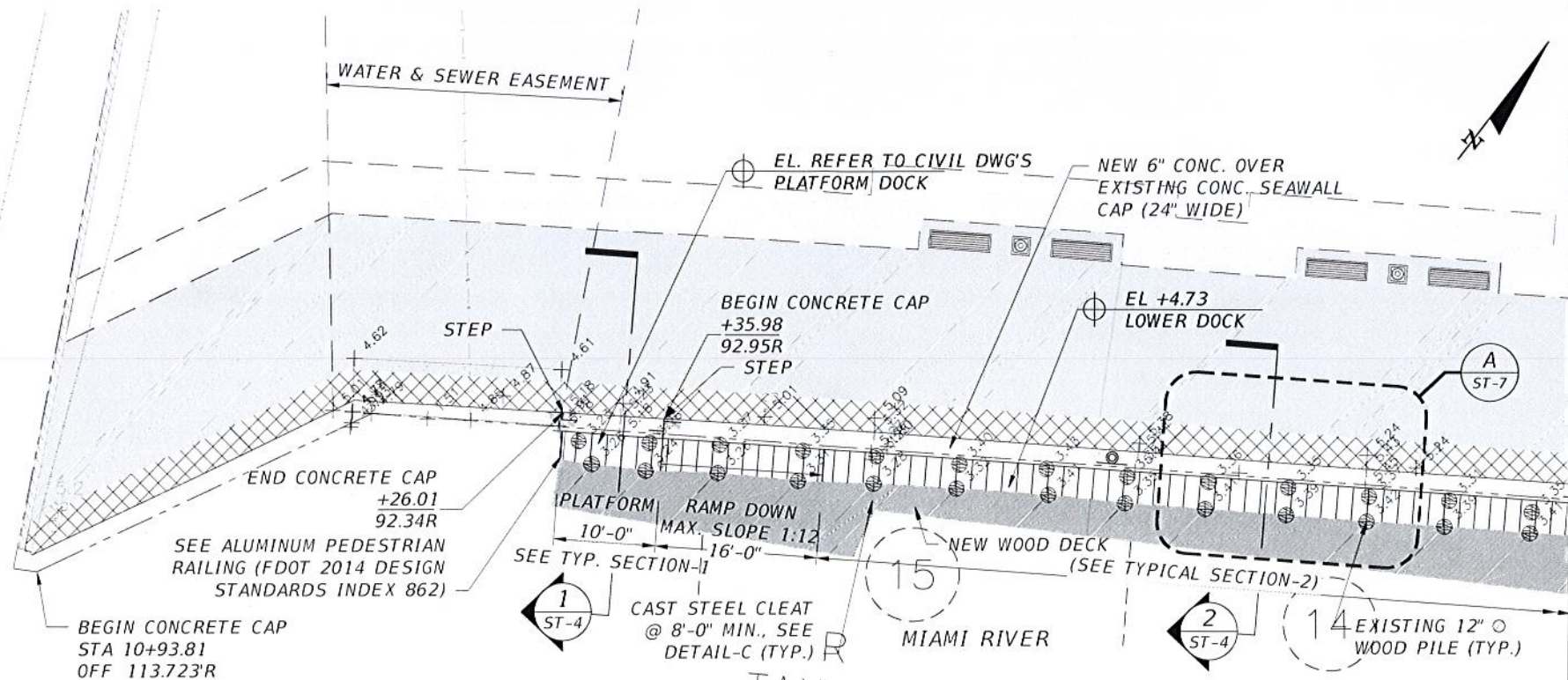
NAME:
DATE:

REVISIONS			EOR	CITY OF MIAMI CAPITAL IMPROVEMENTS PROGRAM 444 S.W. 2ND AVENUE, 8TH FLOOR MIAMI, FLORIDA 33130 (305) 416-1213 FAX (305) 416-1253	CITY OF MIAMI CAPITAL IMPROVEMENTS PROGRAM		GENERAL STRUCTURAL NOTES	SHEET NO.
DATE	BY	DESCRIPTION			PROJECT NAME	PROJECT No.		
			For <u>James Rosales, P.E.</u> No. 54635 T·Y·LIN INTERNATIONAL	LUMMUS PARK LANDING AREA 250 NW N. RIVER DRIVE	B-30643		ST-1	

NOT FOR CONSTRUCTION 100% PLANS

RECEIVED
DEC 16 2015

DERM
Environmental Resources Regulation Division



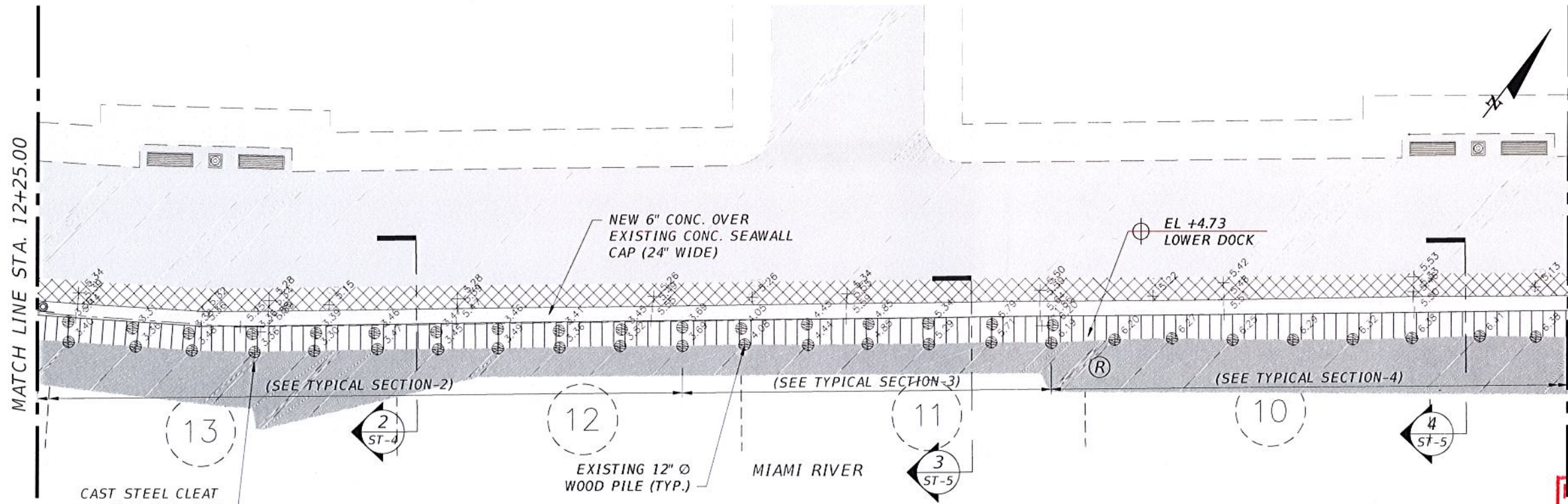
WOOD DOCK PLAN

SCALE: 1/16" = 1'-0"

MATCH LINE STA. 12+25.00

NOTE:

1. MAXIMUM MOORING LOAD: 275 PLF
2. PROP. MAINTENANCE DREDGING AREA DREDGE MATERIAL WILL BE BROUGHT UPLAND (5491 SQ. FT, 295 CU. YD.) AND DISPOSED OF BY A CERTIFIED WASTE HAULER.



WOOD DOCK PLAN

SCALE: 1/16" = 1'-0"

MATCH LINE STA. 12+25.00

MATCH LINE STA. 14+25.00

LEGEND

- PROP. 6" CONCRETE PAD
- PROP. CONCRETE SIDEWALK 4"
- EXCAVATION AREA (SEE NOTE 2)
- SAFETY ZONE
- PROP. WOOD DECK
- EXISTING PILES

**PER - NATURAL RESOURCES DIVISION
PRELIMINARY APPROVAL**
NAME John
DATE 11/11/15

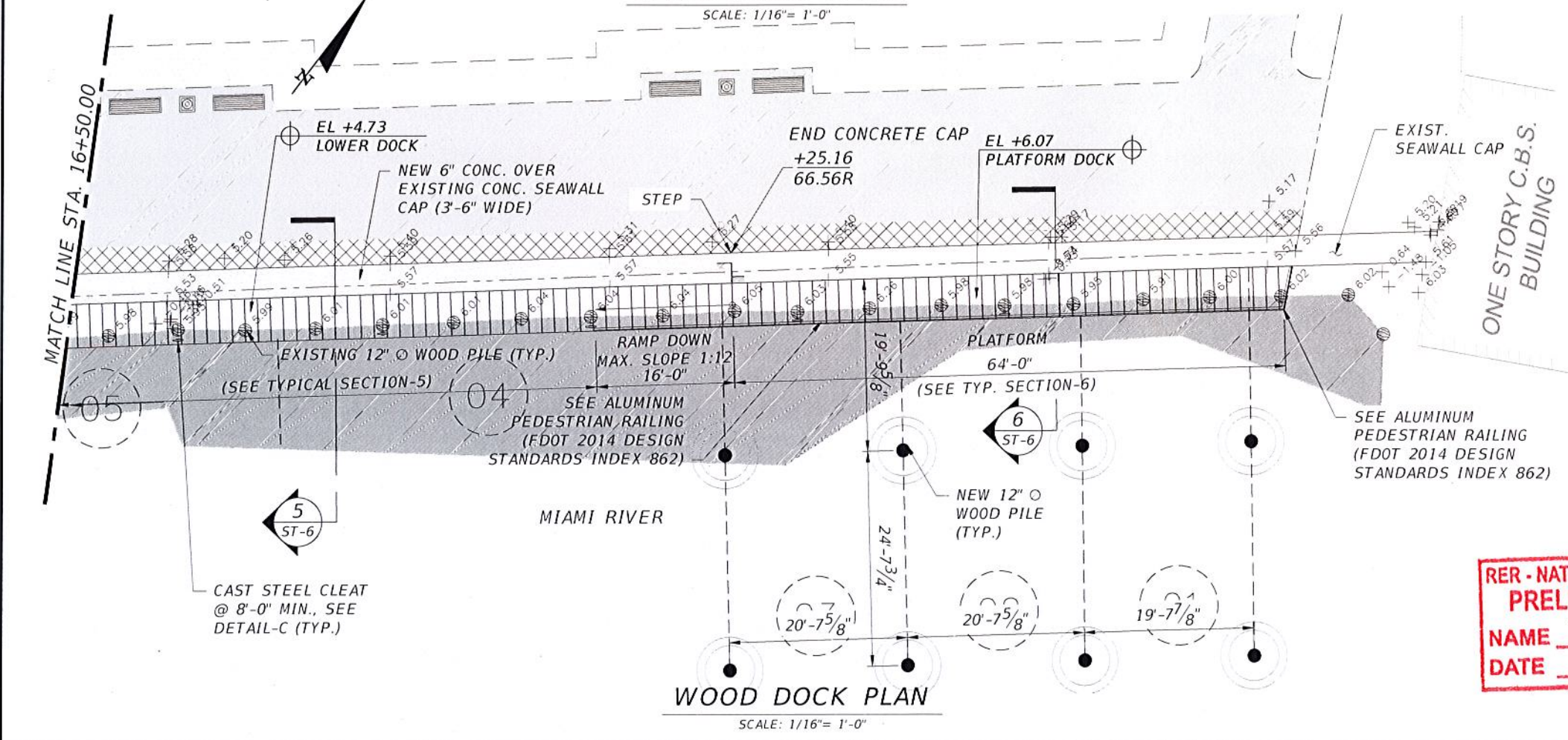
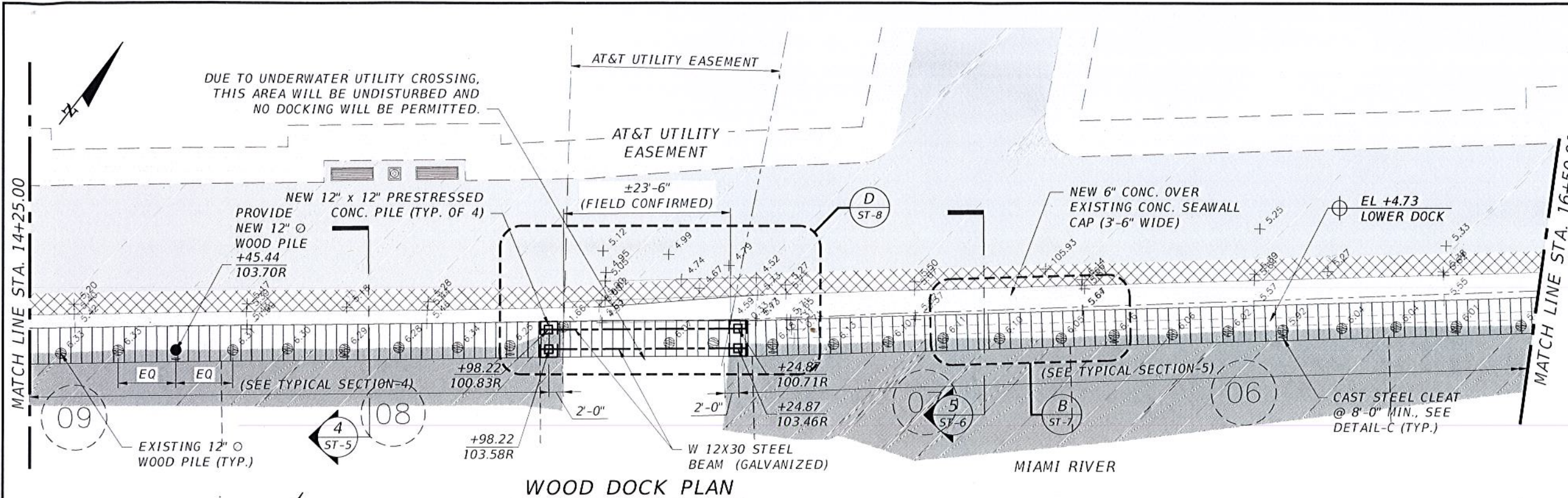
REVISIONS		EOR	CITY OF MIAMI CAPITAL IMPROVEMENTS PROGRAM	CITY OF MIAMI CAPITAL IMPROVEMENTS PROGRAM		STRUCTURE - WOOD DOCK PLAN	SHEET NO. ST-2
DATE	BY			DESCRIPTION	PROJECT NAME		
				LUMMUS PARK LANDING AREA	B-30643		

James Rosales, P.E.
No. 54635
T·Y·LIN INTERNATIONAL



CITY OF MIAMI
CAPITAL IMPROVEMENTS PROGRAM
444 S.W. 2ND AVENUE, 9TH FLOOR
MIAMI, FLORIDA 33130
(305) 416-1213 FAX (305) 416-1253

NOT FOR CONSTRUCTION 100% PLANS



RECEIVED
DEC 16 2010

Environmental Resources Regulation Division



NOTE:

1. MAXIMUM MOORING LOAD: 275 PLF
2. PROP. MAINTENANCE DREDGING AREA DREDGE MATERIAL WILL BE BROUGHT UPLAND (5491 SQ. FT., 295 CU. YD.) AND DISPOSED OF BY A CERTIFIED WASTE HAULER.

LEGEND

PROP. 6" CONCRETE PAD	[Symbol]
PROP. CONCRETE SIDEWALK 4"	[Symbol]
EXCAVATION AREA (SEE NOTE 2)	[Symbol]
SAFETY ZONE	[Symbol]
PROP. WOOD DECK	[Symbol]
EXISTING PILES	[Symbol]
NEW 12" O WOOD PILE	[Symbol]
NEW 14"x14" CONC. PILE	[Symbol]

**RER - NATURAL RESOURCES DIVISION
PRELIMINARY APPROVAL**
NAME: *[Signature]*
DATE: 11/11/10

REVISIONS DATE BY DESCRIPTION		EOR James Rosales, P.E. No. 54635 T-Y-LIN INTERNATIONAL	 CITY OF MIAMI CAPITAL IMPROVEMENTS PROGRAM 444 S.W. 2ND AVENUE, 8TH FLOOR MIAMI, FLORIDA 33130 (305) 416-1213 FAX (305) 416-1253	CITY OF MIAMI CAPITAL IMPROVEMENTS PROGRAM PROJECT NAME: LUMMUS PARK LANDING AREA PROJECT No.: B-30643	STRUCTURE - WOOD DOCK PLAN SHEET NO. ST-3
---	--	---	---	--	--

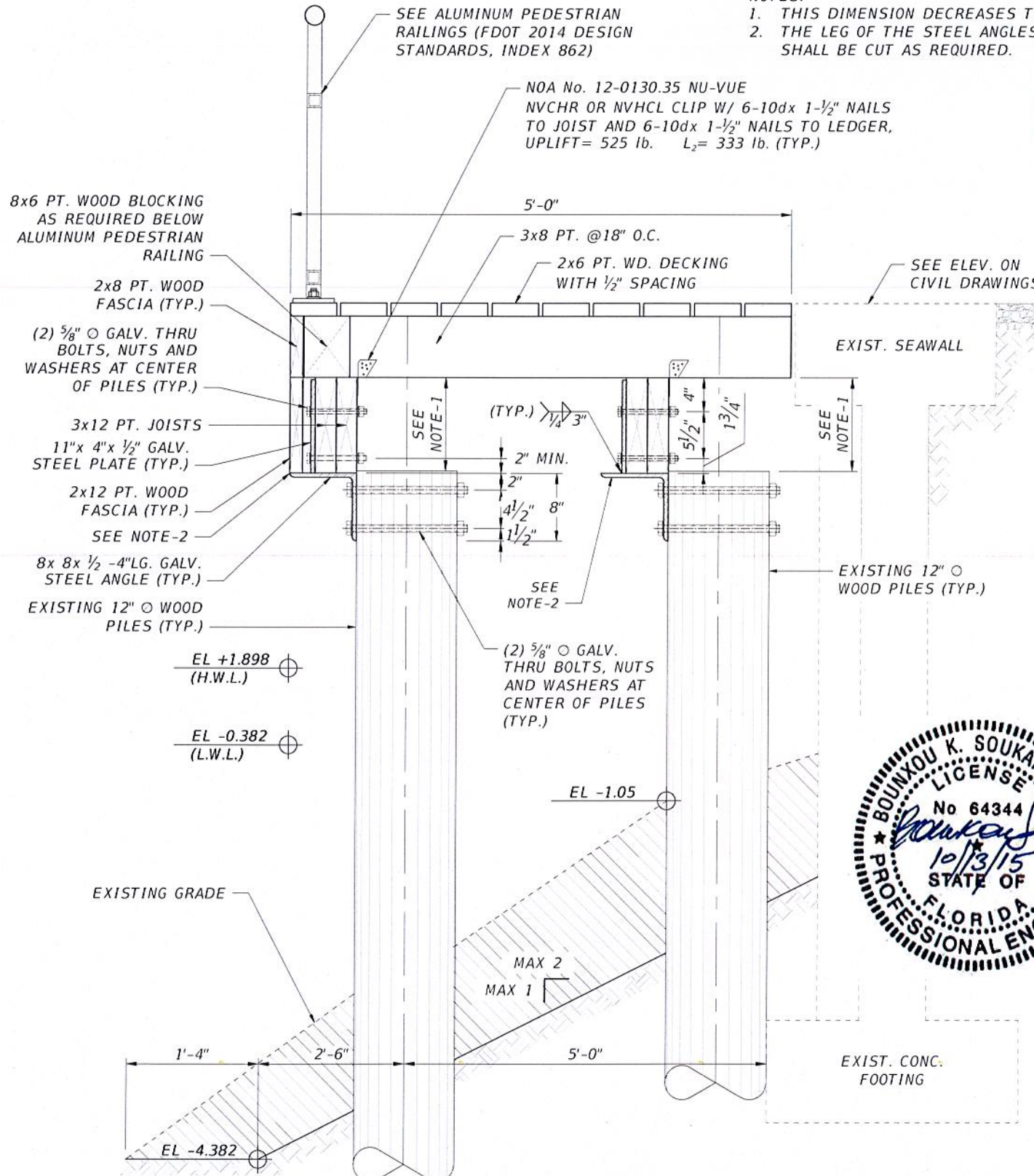
NOT FOR CONSTRUCTION 100% PLANS

- NOTES:
 1. THIS DIMENSION DECREASES TO 0"
 2. THE LEG OF THE STEEL ANGLES
 SHALL BE CUT AS REQUIRED.

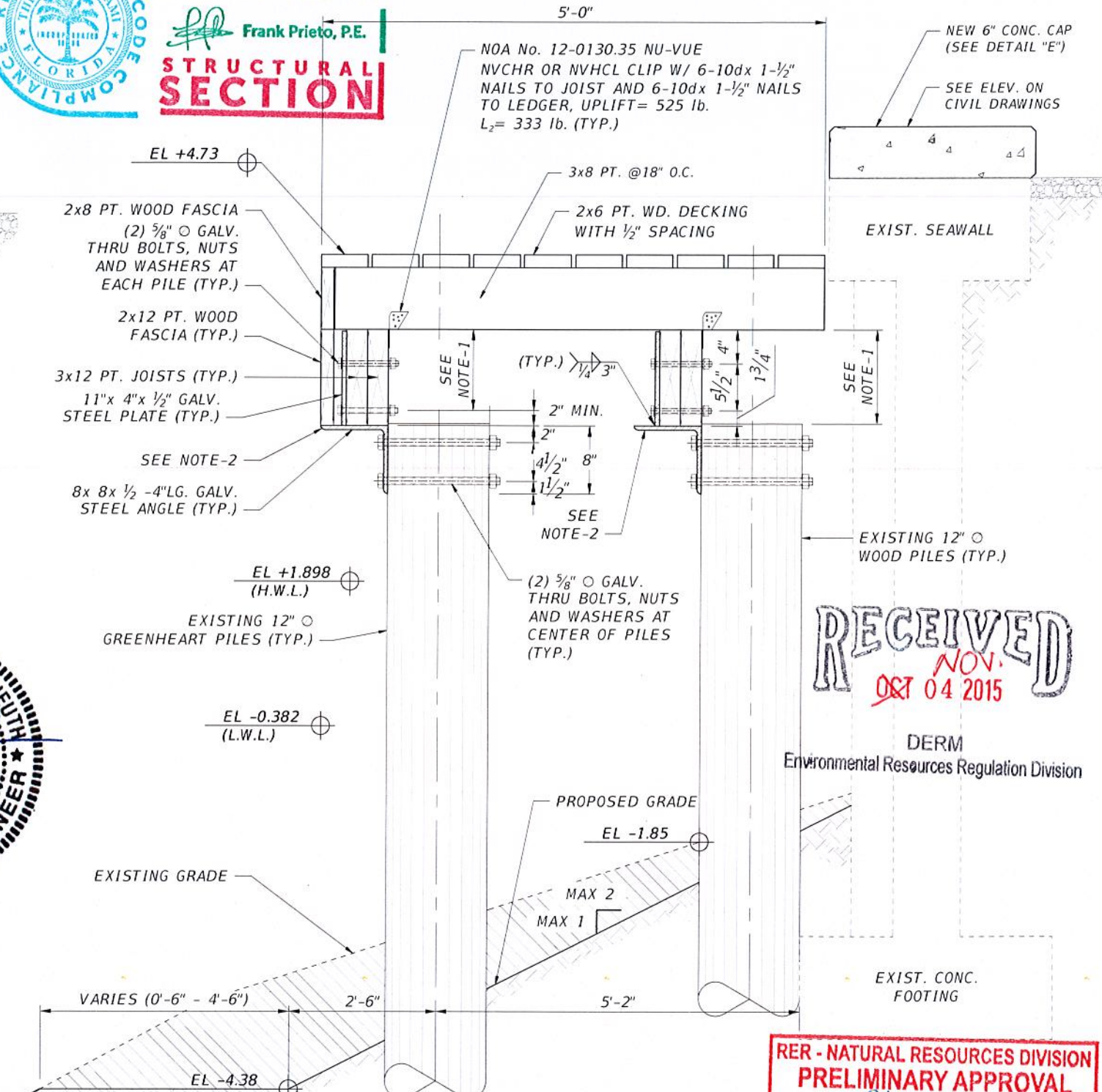


BUILDING DEPARTMENT

STRUCTURAL SECTION
 Frank Prieto, P.E.



1 SECTION
 ST-2 SCALE: 3/4" = 1'-0"



2 SECTION
 ST-2 SCALE: 3/4" = 1'-0"

RECEIVED
 NOV. 04 2015

DERM
 Environmental Resources Regulation Division

RER - NATURAL RESOURCES DIVISION
PRELIMINARY APPROVAL
 NAME: *Chamm*
 DATE: *11/16*

REVISIONS	
DATE	DESCRIPTION

EOR
 For **James Rosales, P.E.**
 No. 54635
T-Y-LIN INTERNATIONAL

CITY OF MIAMI
 CAPITAL IMPROVEMENTS PROGRAM
 444 S.W. 2ND AVENUE, 8TH FLOOR
 MIAMI, FLORIDA 33130
 (305) 416-1213 FAX (305) 416-1253

CITY OF MIAMI
 CAPITAL IMPROVEMENTS PROGRAM
 PROJECT NAME: LUMMUS PARK LANDING AREA
 PROJECT No.: B-30643

STRUCTURE - TYPICAL SECTIONS

SHEET NO.
ST-4

NOT FOR CONSTRUCTION 100% PLANS

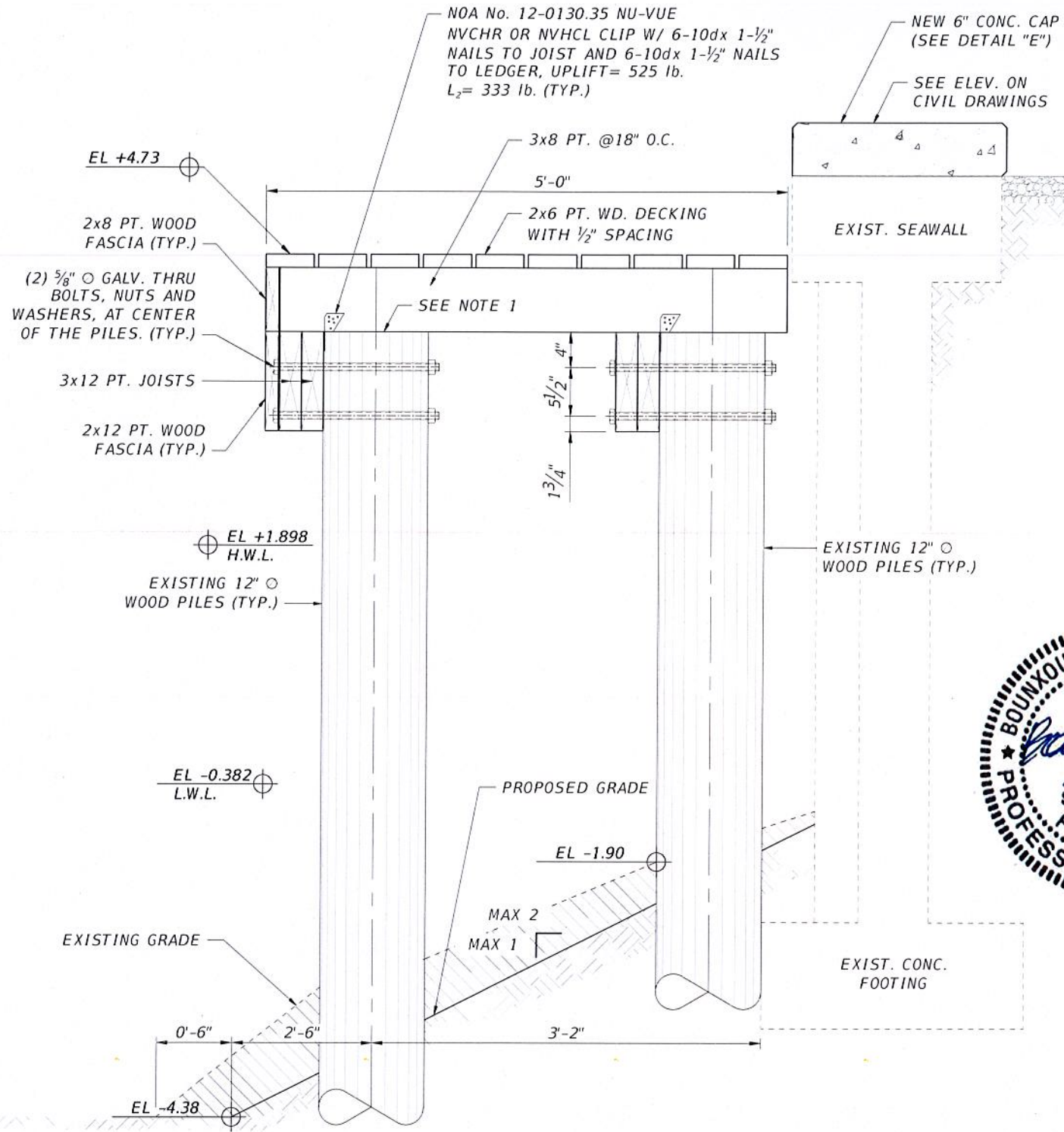
NOTA:
1. CUT THE PILE AS REQUIRED



BUILDING DEPARTMENT
Frank Prieto, P.E.
STRUCTURAL SECTION

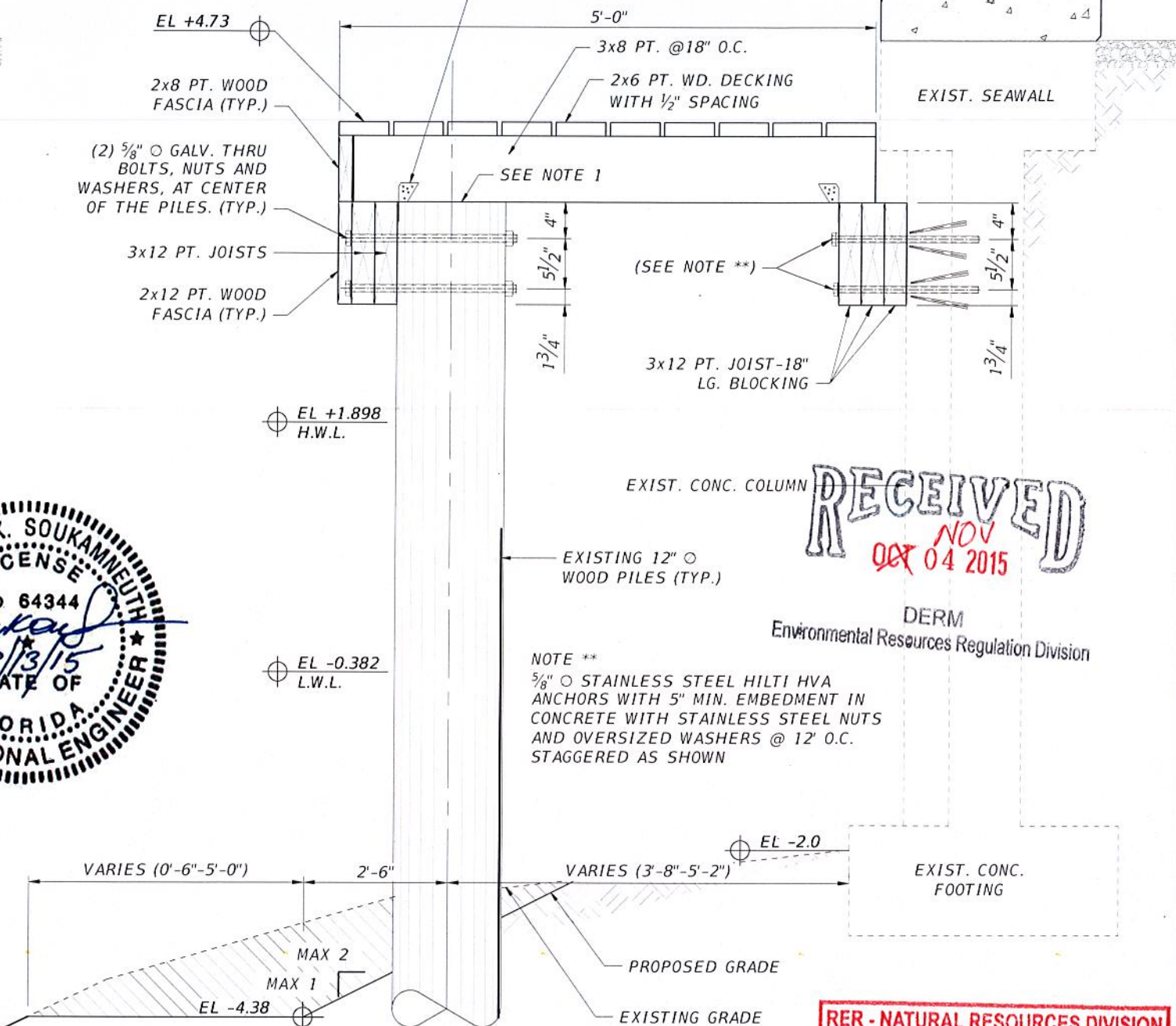
NOA No. 12-0130.35 NU-VUE
NVCHR OR NVHCL CLIP W/ 6-10dx 1-1/2" NAILS TO JOIST AND 6-10dx 1-1/2" NAILS TO LEDGER, UPLIFT= 525 lb. L₂= 333 lb. (TYP.)

NEW 6" CONC. CAP (SEE DETAIL "E")
SEE ELEV. ON CIVIL DRAWINGS



3 SECTION
ST-2 SCALE: 3/4" = 1'-0"

EXCAVATION AREA



4 SECTION
ST-2 ST-3 SCALE: 3/4" = 1'-0"

RECEIVED
NOV 04 2015
DERM
Environmental Resources Regulation Division

NOTE **
5/8" Ø STAINLESS STEEL HILTI HVA ANCHORS WITH 5" MIN. EMBEDMENT IN CONCRETE WITH STAINLESS STEEL NUTS AND OVERSIZED WASHERS @ 12' O.C. STAGGERED AS SHOWN

RER - NATURAL RESOURCES DIVISION PRELIMINARY APPROVAL
NAME Chann
DATE 1/13/16

REVISIONS		EOR	CITY OF MIAMI CAPITAL IMPROVEMENTS PROGRAM	CITY OF MIAMI CAPITAL IMPROVEMENTS PROGRAM	STRUCTURE - TYPICAL SECTIONS	SHEET NO.
DATE	BY					
				LUMMUS PARK LANDING AREA 250 NW N. RIVER DRIVE	B-30643	ST-5
		For James Rosales, P.E. No. 54635 T·Y·LIN INTERNATIONAL	CITY OF MIAMI CAPITAL IMPROVEMENTS PROGRAM 444 S.W. 2ND AVENUE, 8TH FLOOR MIAMI, FLORIDA 33130 (305) 416-1213 FAX (305) 416-1253			

NOT FOR CONSTRUCTION 100% PLANS

NOTE:
1. CUT THE PILE AS REQUIRED.

PREFABRICATED ALUMINUM LADDER. (SEE DETAIL G ON SHEET ST-9)

SEE ALUMINUM PEDESTRIAN RAILINGS (FDOT 2014 DESIGN STANDARDS, INDEX 862)

8x6 PT. WD. BLOCKING AS REQUIRED BELOW ALUM. PEDESTRIAN RAILING

3x8 PT. @18" O.C.

5'-0"
2x6 PT. WD. DECKING WITH 1/2" SPACING

SEE NOTE 1

SEE NOTE **

13/4"

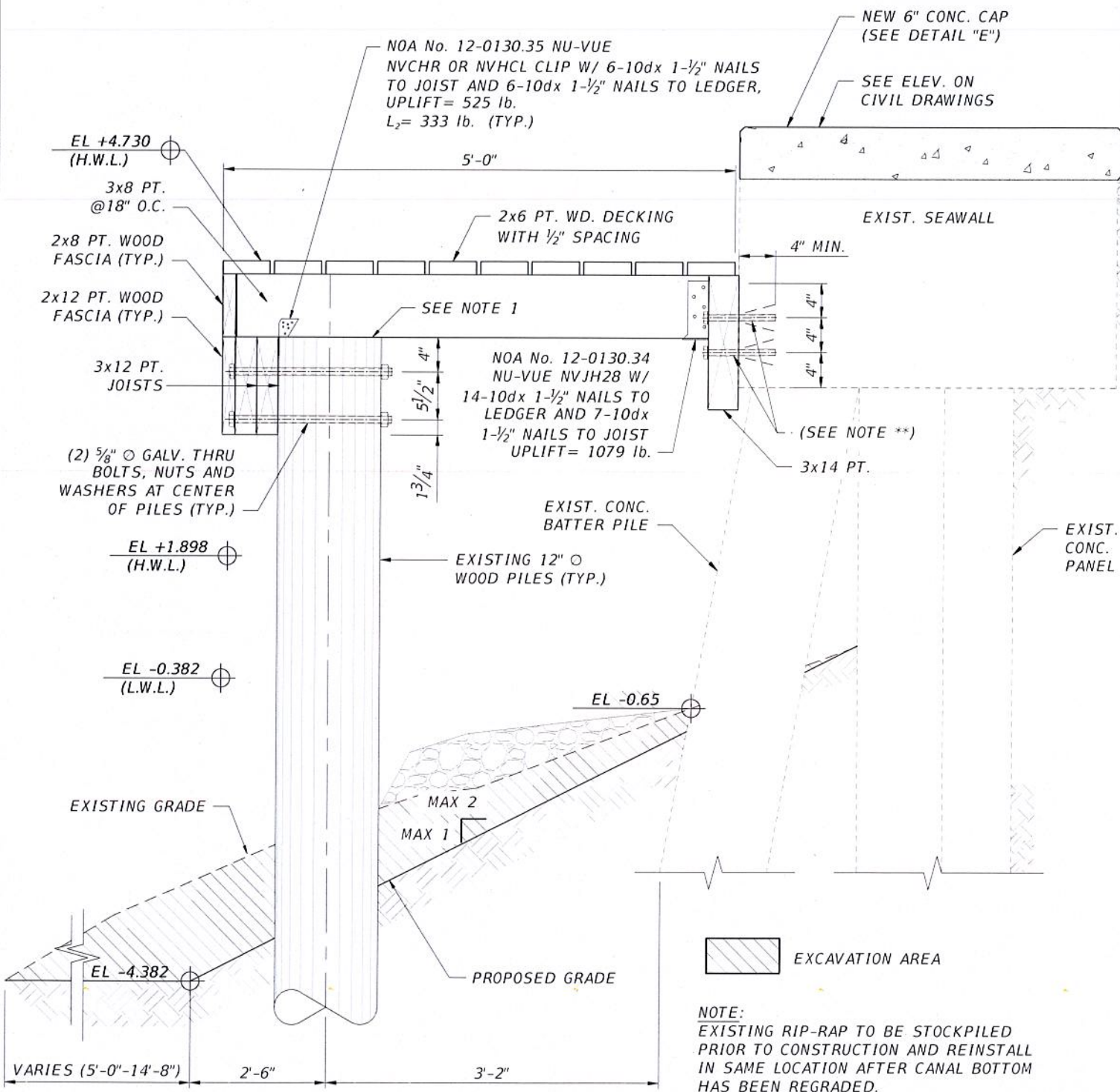
EXIST. CONC. BATTER PILE



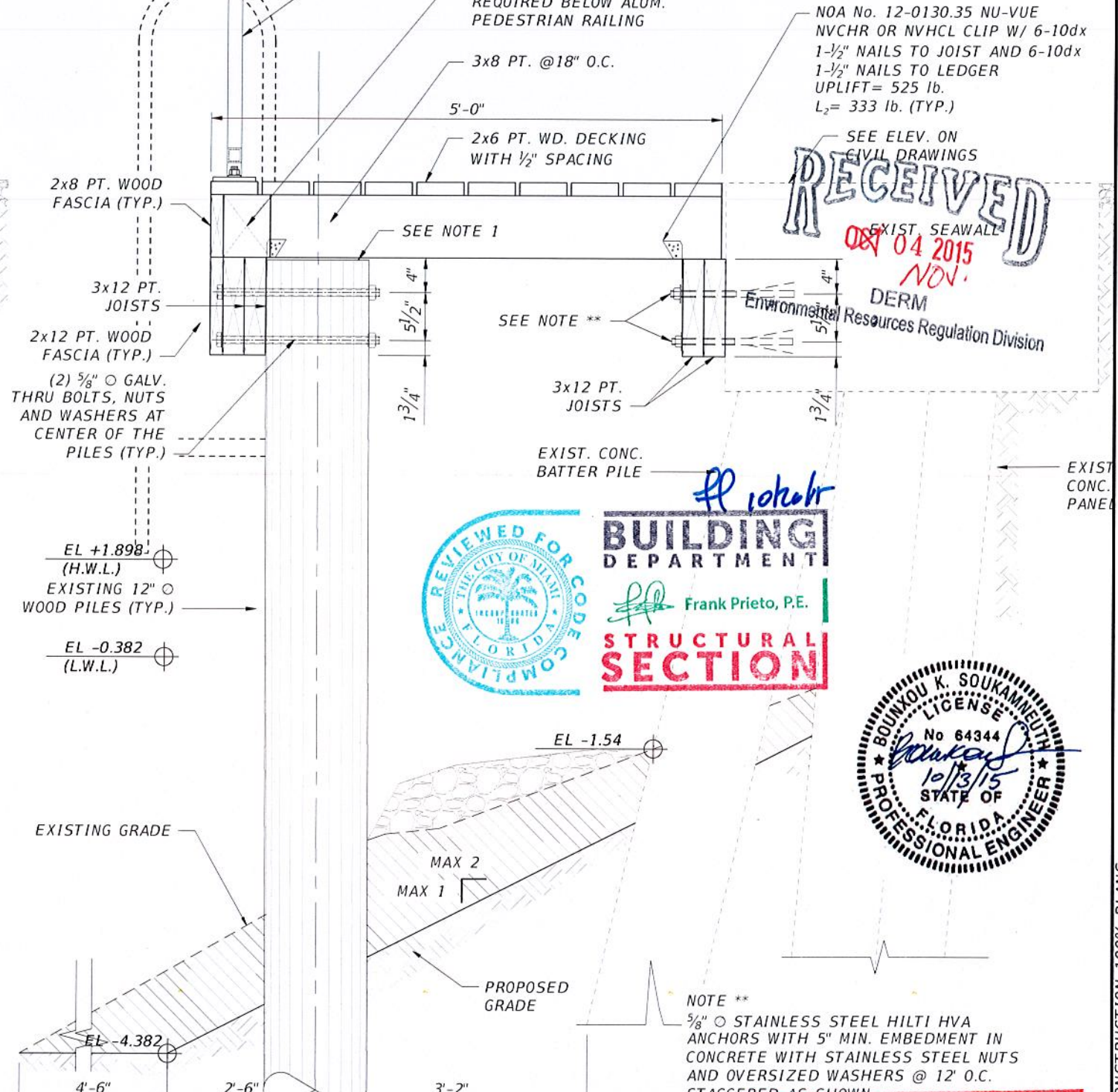
BUILDING DEPARTMENT
Frank Prieto, P.E.
STRUCTURAL SECTION



RECEIVED
04 2015
NOV.
DERM
Environmental Resources Regulation Division



5 SECTION
ST-3 SCALE: 3/4" = 1'-0"



6 SECTION
ST-3 SCALE: 3/4" = 1'-0"

RED - NATURAL RESOURCES DIVISION PRELIMINARY APPROVAL
NAME: C. Chen
DATE: 11/13/15

REVISIONS	
DATE	DESCRIPTION

EOR
For James Rosales, P.E.
No. 54635
T-Y-LIN INTERNATIONAL

CITY OF MIAMI
CAPITAL IMPROVEMENTS PROGRAM
444 S.W. 2ND AVENUE, 8TH FLOOR
MIAMI, FLORIDA 33130
(305) 416-1213 FAX (305) 416-1253

CITY OF MIAMI
CAPITAL IMPROVEMENTS PROGRAM
PROJECT NAME: LUMMUS PARK LANDING AREA
PROJECT No.: B-30643

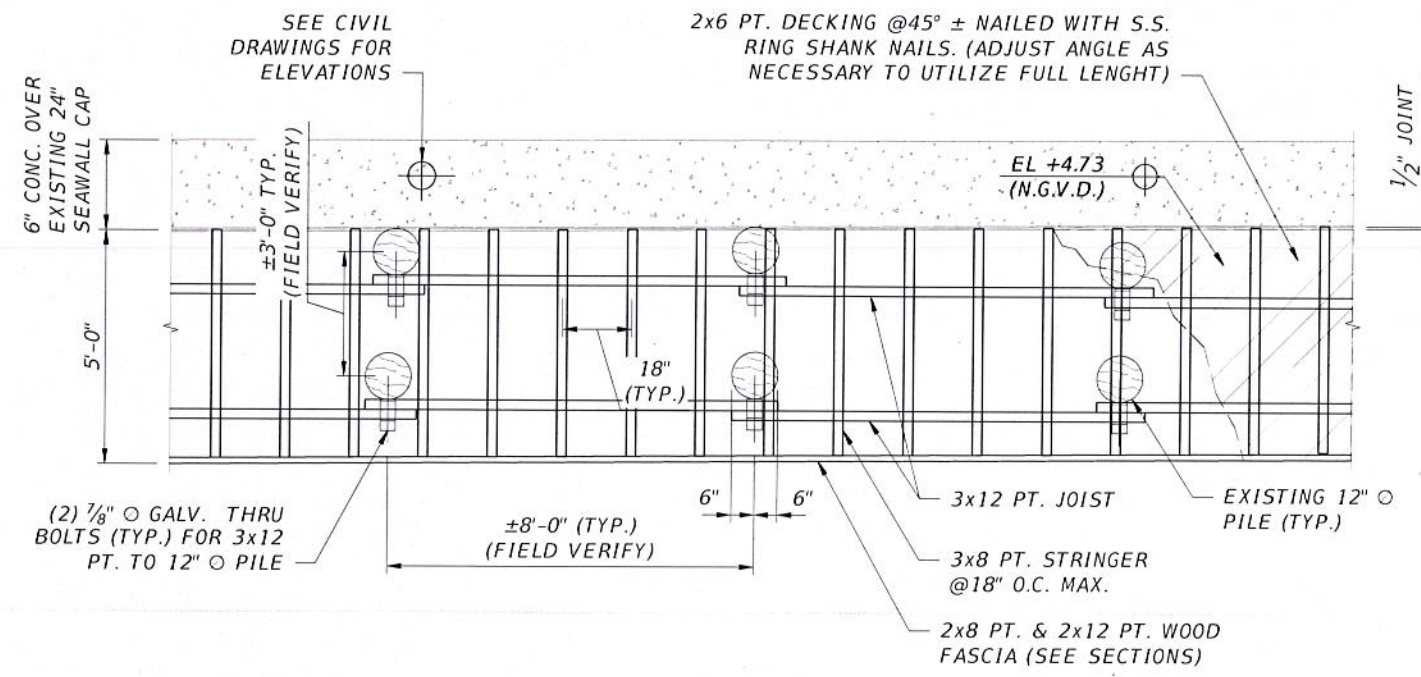
STRUCTURE - TYPICAL SECTIONS

SHEET NO.
ST-6

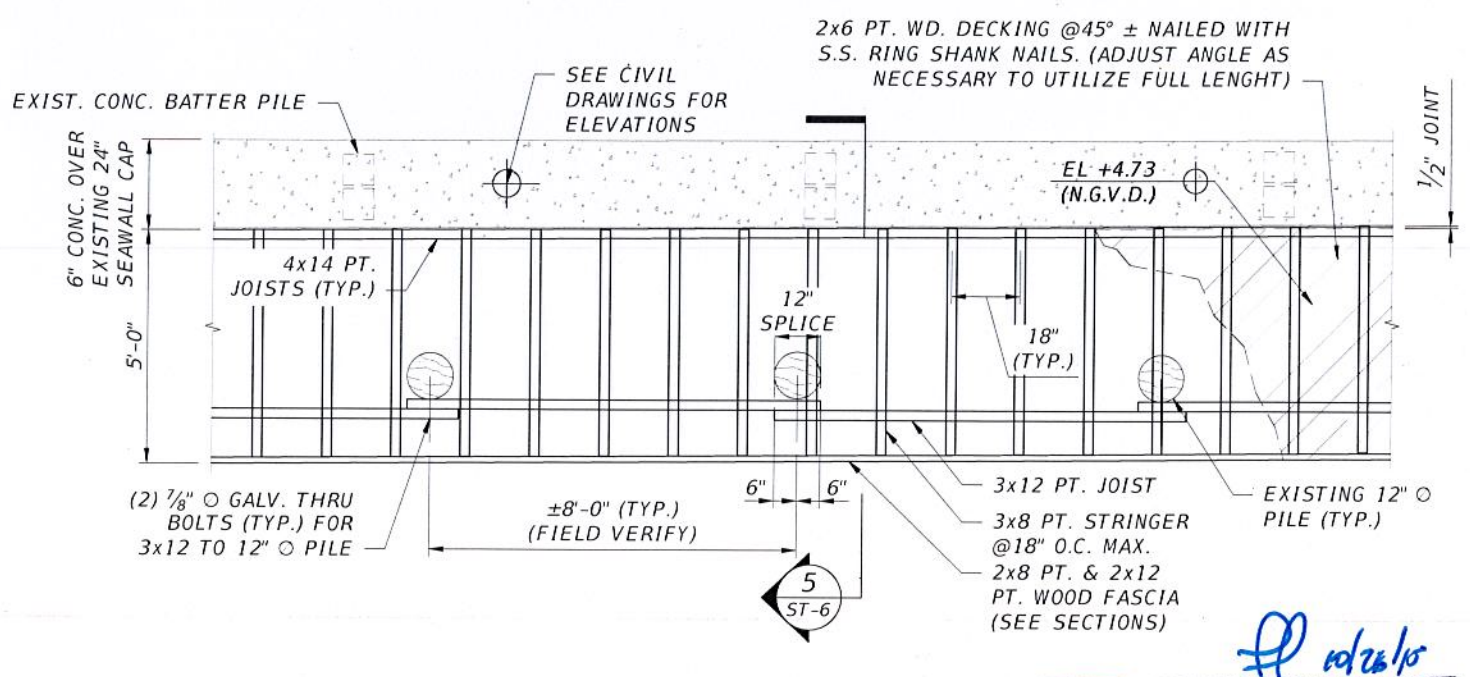
NOT FOR CONSTRUCTION 100% PLANS

RECEIVED
NOV 04 2015

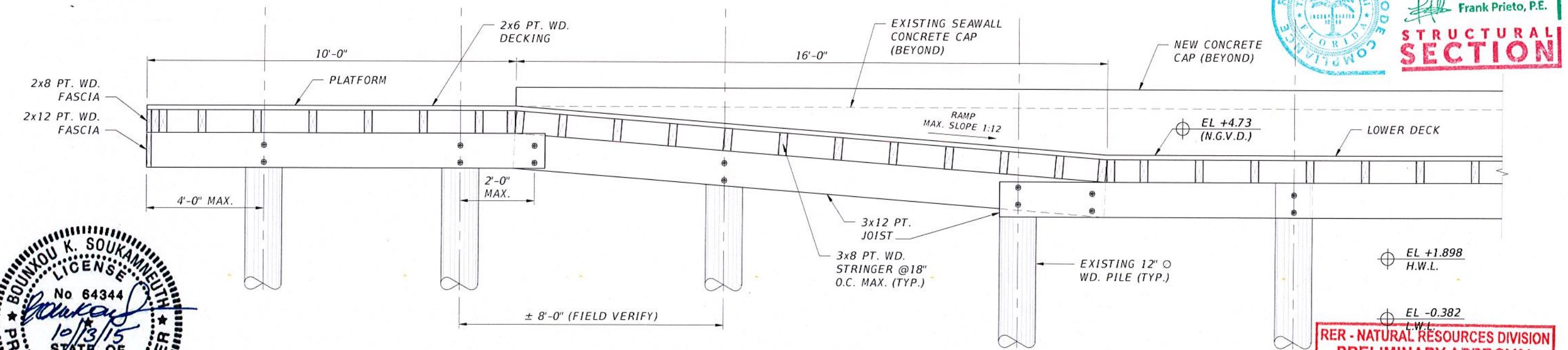
DERM
Environmental Resources Regulation Division



DETAIL -A
FRAMING PLAN
SCALE: 1/4" = 1'-0"



DETAIL -B
FRAMING PLAN
SCALE: 1/4" = 1'-0"



DOCK RAMP ELEVATION
(TYP. AT EACH END DOCK) SCALE: 3/8" = 1'-0"



Frank Prieto
BUILDING DEPARTMENT
Frank Prieto, P.E.
STRUCTURAL SECTION

RER - NATURAL RESOURCES DIVISION
PRELIMINARY APPROVAL
NAME *Chomo*
DATE *11/11/15*



REVISIONS		EOR	CITY OF MIAMI CAPITAL IMPROVEMENTS PROGRAM	CITY OF MIAMI CAPITAL IMPROVEMENTS PROGRAM	STRUCTURE - FRAMING PLAN & ELEVATION	SHEET NO.
DATE	BY					
				LUMMUS PARK LANDING AREA 250 NW N. RIVER DRIVE	B-30643	ST-7

For **James Rosales, P.E.**
No. 54635
T-Y-LIN INTERNATIONAL

CITY OF MIAMI
CAPITAL IMPROVEMENTS PROGRAM
444 S.W. 2ND AVENUE, 8TH FLOOR
MIAMI, FLORIDA 33130
(305) 416-1213 FAX (305) 416-1253

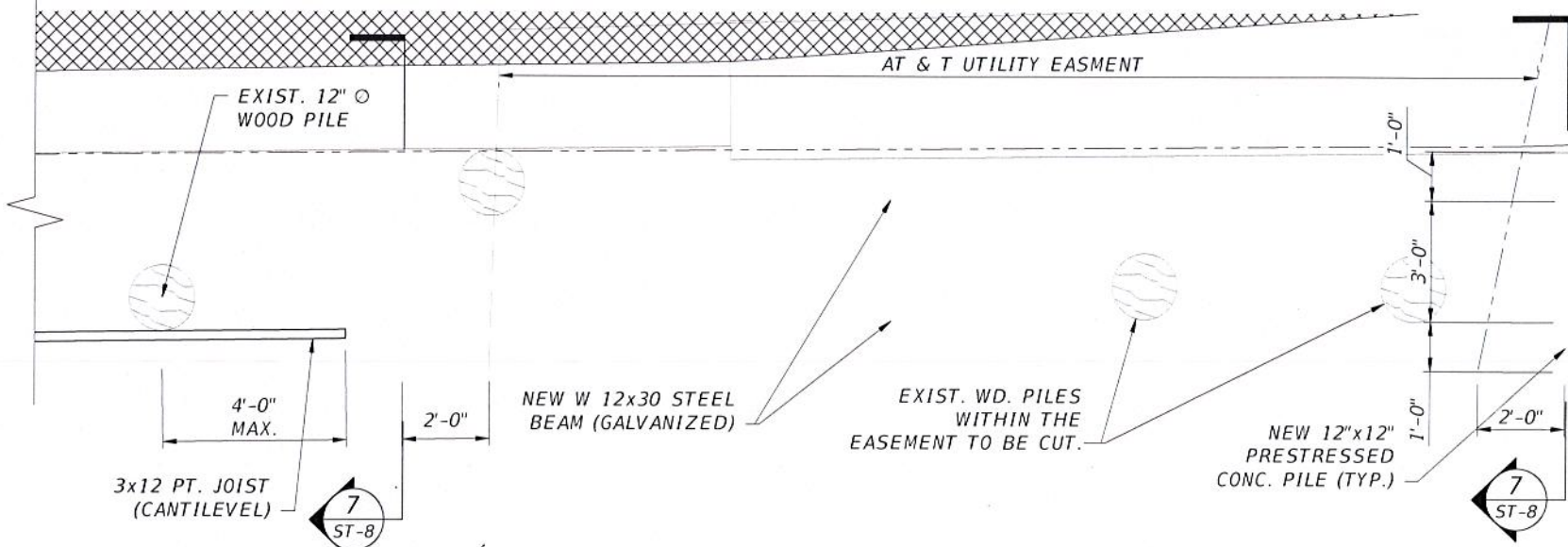
NOT FOR CONSTRUCTION 100% PLANS

RECEIVED
NOV 04 2015

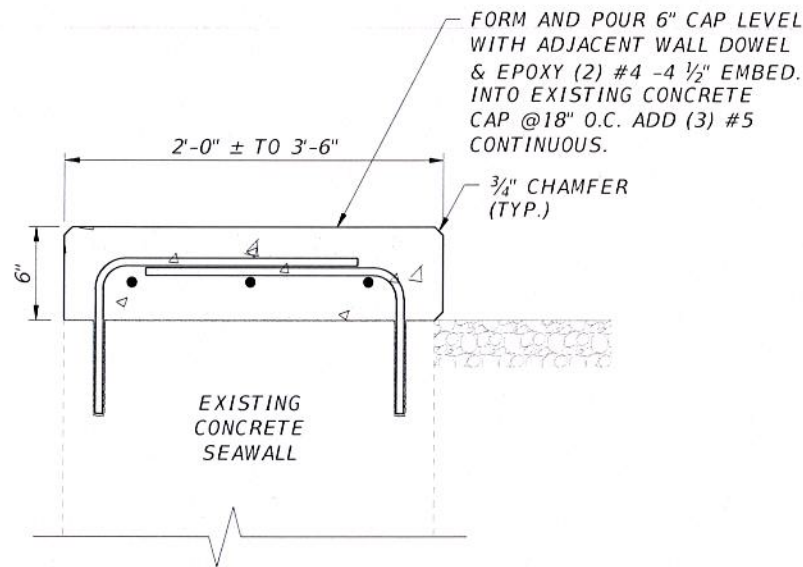
DERM
Environmental Resources Regulation Division



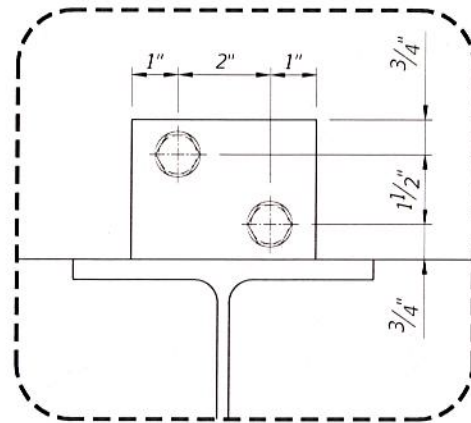
BUILDING DEPARTMENT
Frank Prieto, P.E.
STRUCTURAL SECTION
10/26/15



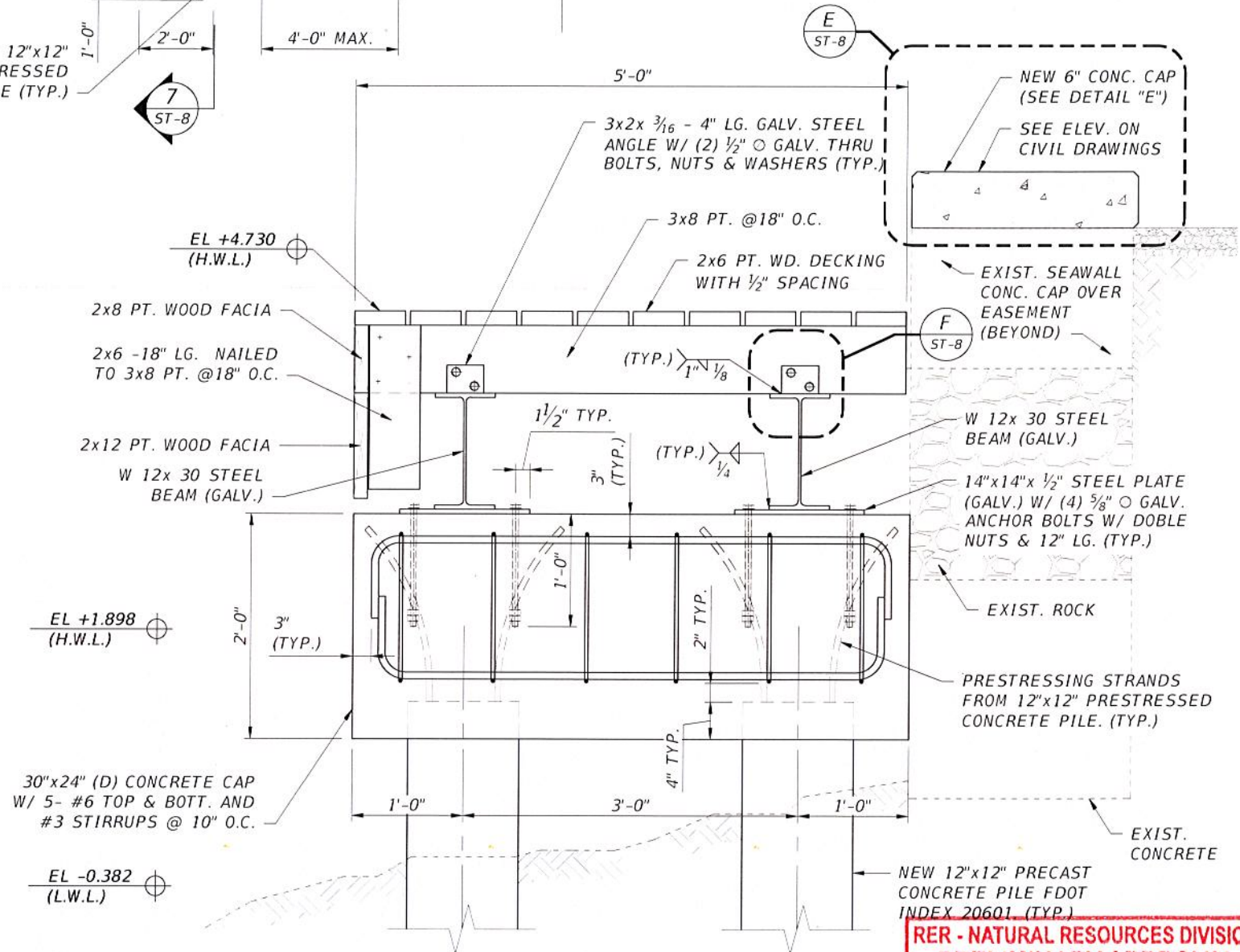
DETAIL - D
SCALE: 1/4" = 1'-0"



DETAIL - E
SCALE: 1" = 1'-0"



DETAIL - F
SCALE: 3/4" = 1'-0"



7 SECTION
SCALE: 3/4" = 1'-0"

RER - NATURAL RESOURCES DIVISION
PRELIMINARY APPROVAL
NAME: C. Rosales
DATE: 10/13/15



REVISIONS	
DATE	DESCRIPTION

EOR
For James Rosales, P.E.
No. 54635
T-Y-LIN INTERNATIONAL

CITY OF MIAMI
CAPITAL IMPROVEMENTS PROGRAM
444 S.W. 2ND AVENUE, 8TH FLOOR
MIAMI, FLORIDA 33130
(305) 416-1213 FAX (305) 416-1253

CITY OF MIAMI
CAPITAL IMPROVEMENTS PROGRAM
PROJECT NAME: LUMMUS PARK LANDING AREA
PROJECT No.: B-30643

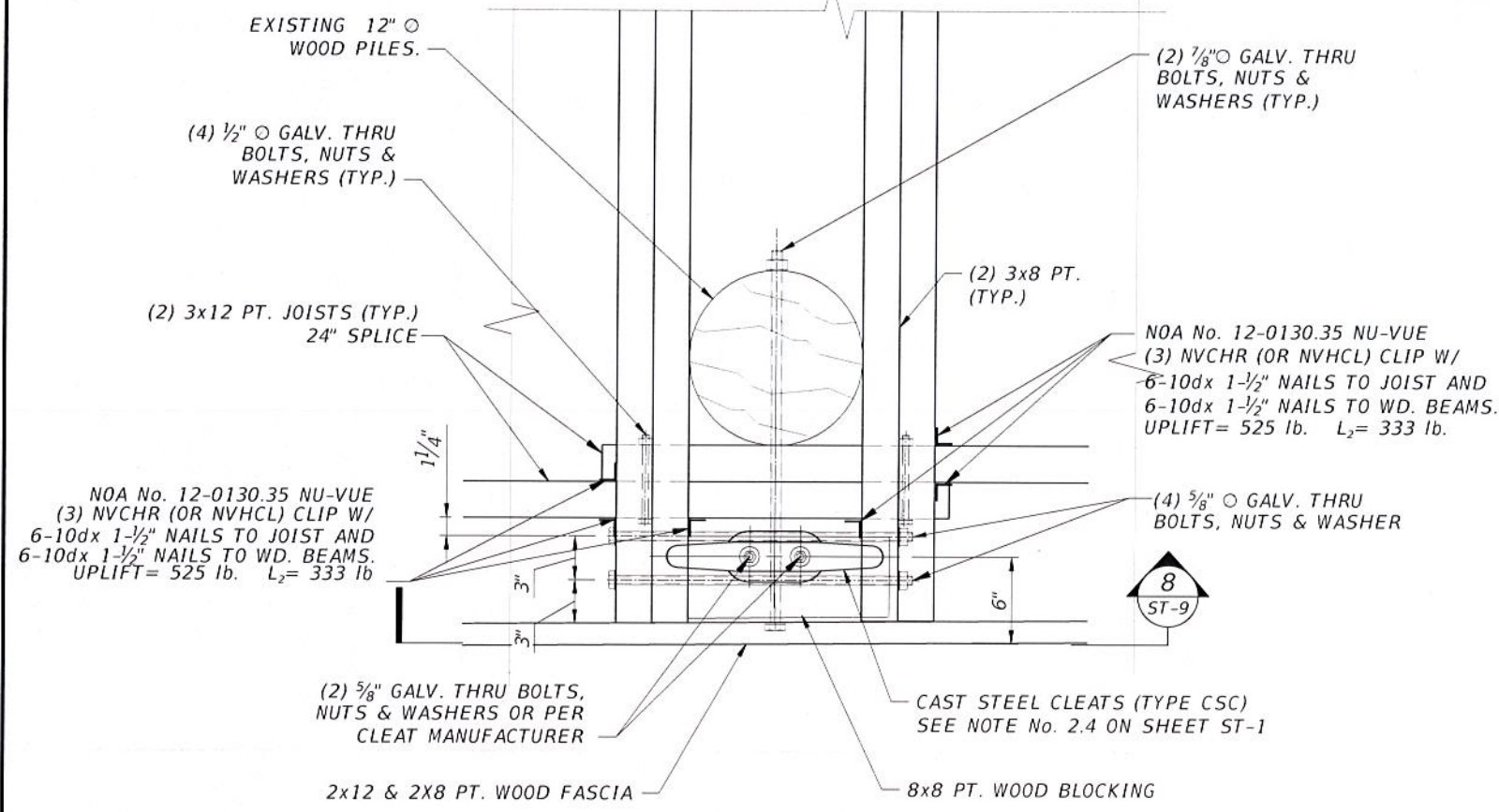
STRUCTURE - DETAILS

SHEET NO.
ST-8

NOT FOR CONSTRUCTION 100% PLANS

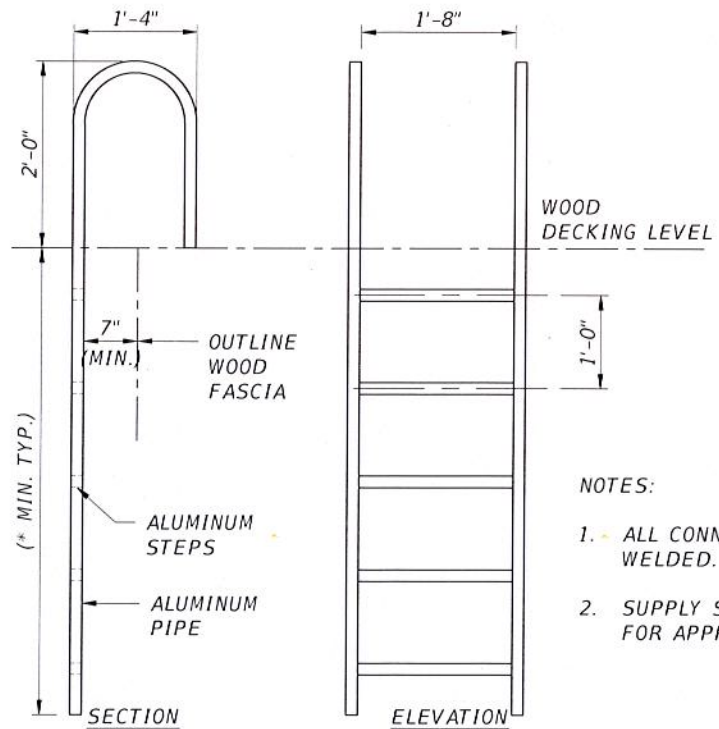
RECEIVED
 NOV. 04 2015

DERM
 Environmental Resources Regulation Division



DETAIL - C (PLAN VIEW)

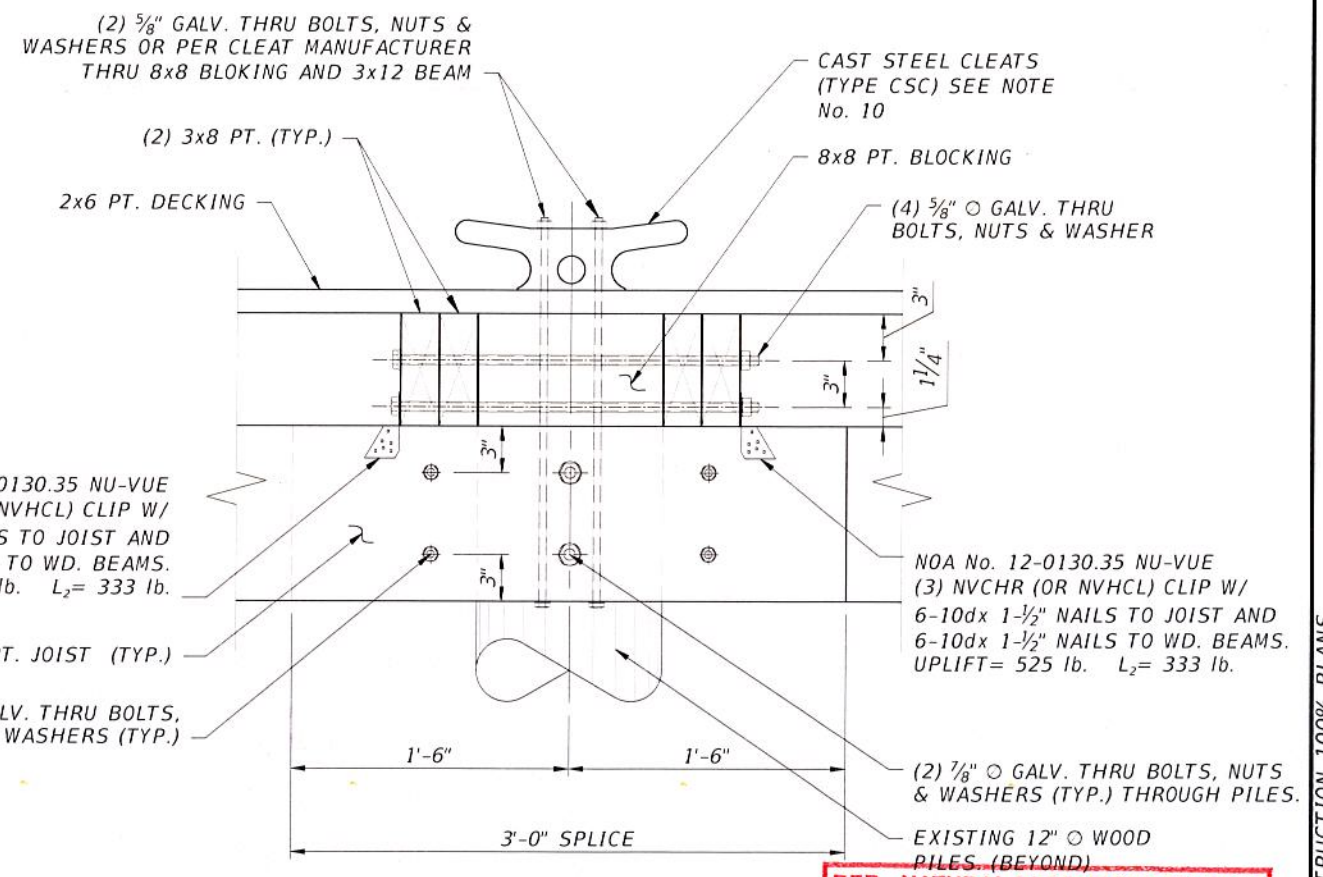
SCALE: 1" = 1'-0"



DETAIL - G (PREFABRICATED ALUM. LADDER)

SCALE: 1/2" = 1'-0"

- NOTES:
- ALL CONNECTIONS ARE WELDED.
 - SUPPLY SHOP DWG'S. FOR APPROVAL.

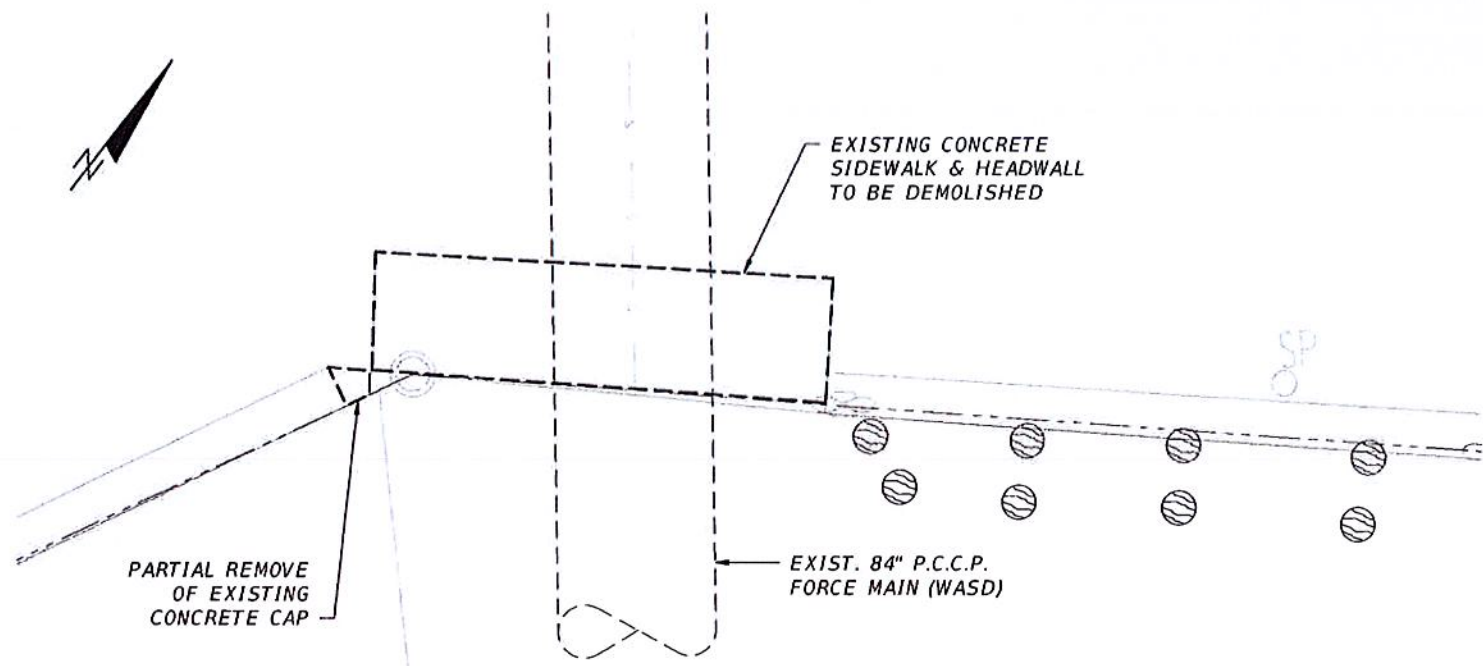


8 SECTION
 SCALE: 3/4" = 1'-0"

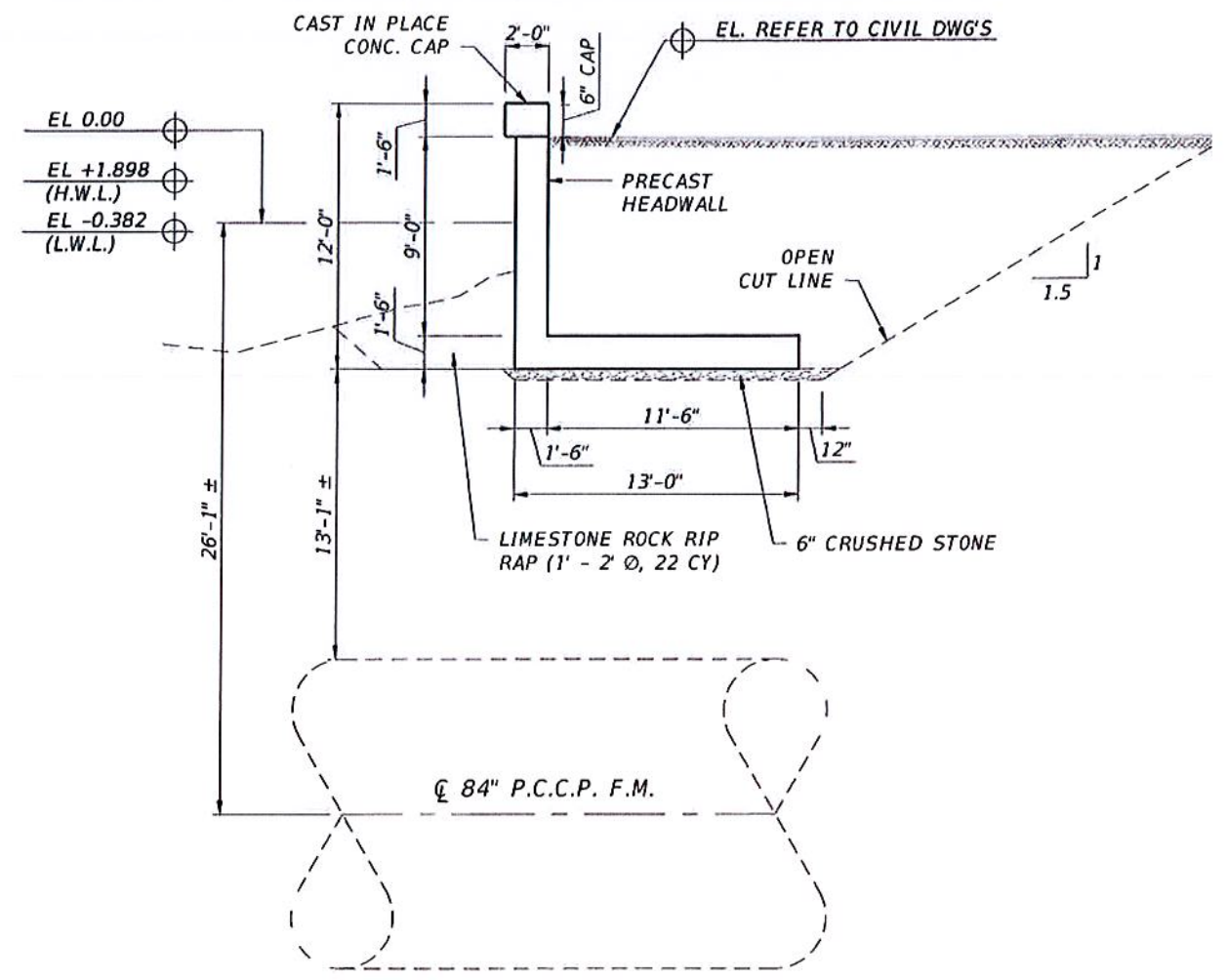
RER - NATURAL RESOURCES DIVISION
 PRELIMINARY APPROVAL
 NAME: *[Signature]*
 DATE: *[Date]*

REVISIONS		EOR	CITY OF MIAMI CAPITAL IMPROVEMENTS PROGRAM	PROJECT NAME	PROJECT No.	STRUCTURAL DETAILS	SHEET NO.
DATE	BY						
			For James Rosales, P.E. No. 54635 T-Y-LIN INTERNATIONAL				

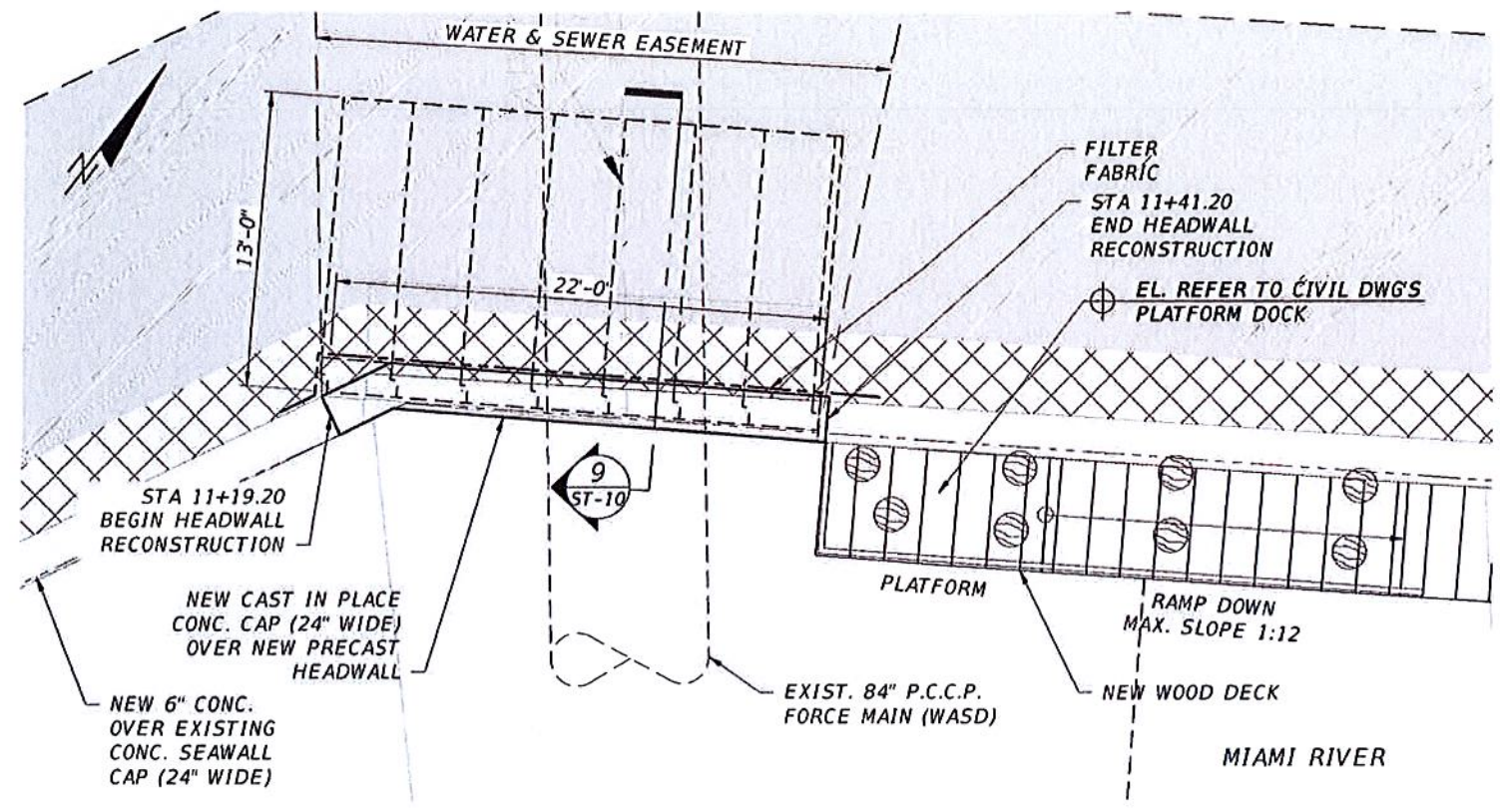
NOT FOR CONSTRUCTION 100% PLANS



DEMOLITION HEADWALL PLAN
SCALE: 1/16" = 1'-0"

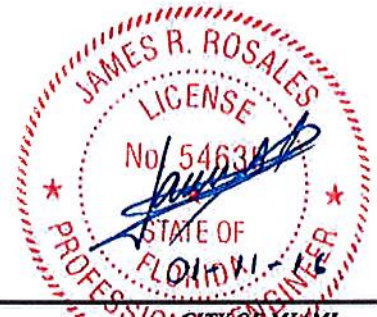


SECTION - 9
SCALE: 1/4" = 1'-0"



HEADWALL PLAN
SCALE: 1/16" = 1'-0"

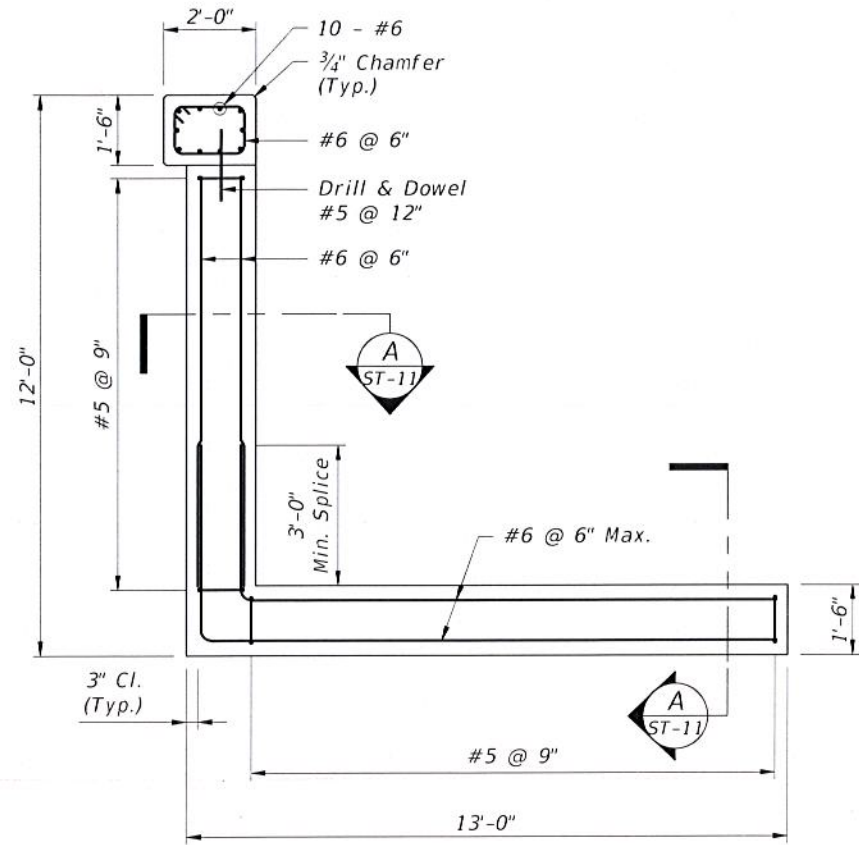
LEGEND	
DEMOLITION	---
PROP. 6" CONCRETE PAD	[Hatched Box]
PROP. CONCRETE SIDEWALK 4"	[Hatched Box]
SAFETY ZONE	[Cross-hatched Box]
PROP. WOOD DECK	[Vertical Line Pattern Box]
EXISTING PILES	●



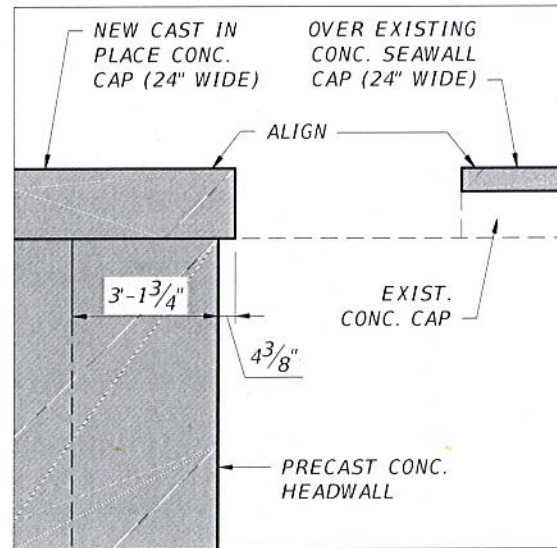
REVISIONS DATE BY DESCRIPTION		EOR James Rosales, P.E. No. 54633 T-Y-LIN INTERNATIONAL	 CITY OF MIAMI CAPITAL IMPROVEMENTS PROGRAM 444 S.W. 2ND AVENUE, 8TH FLOOR MIAMI, FLORIDA 33130 (305) 416-1213 FAX (305) 416-1253	CITY OF MIAMI CAPITAL IMPROVEMENTS PROGRAM		STRUCTURE - HEADWALL PLAN & SECTION	SHEET NO. ST-10
				PROJECT NAME LUMMUS PARK LANDING AREA 250 NW N. RIVER DRIVE	PROJECT No. B-30643		

Filename: K:\Projects\551191.05 Lummus Park\B-30643\10-ST-HEADWALL - Plot Date: 1.11.2016

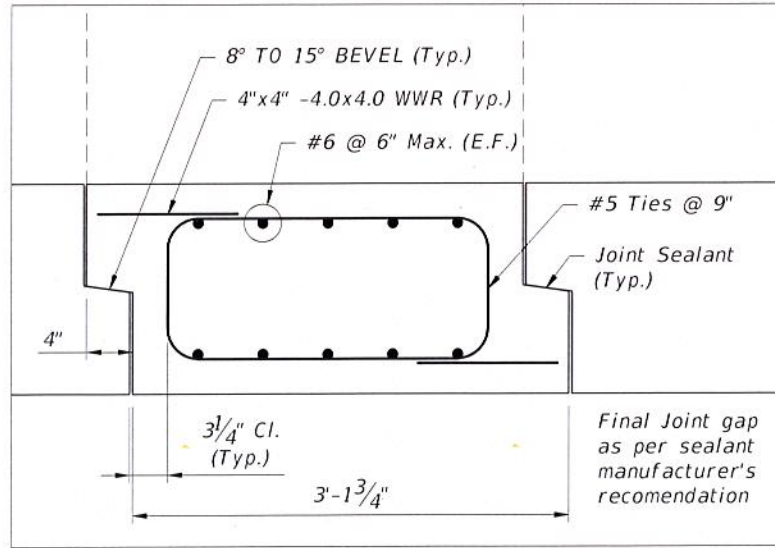
NOT FOR CONSTRUCTION 100% PLANS



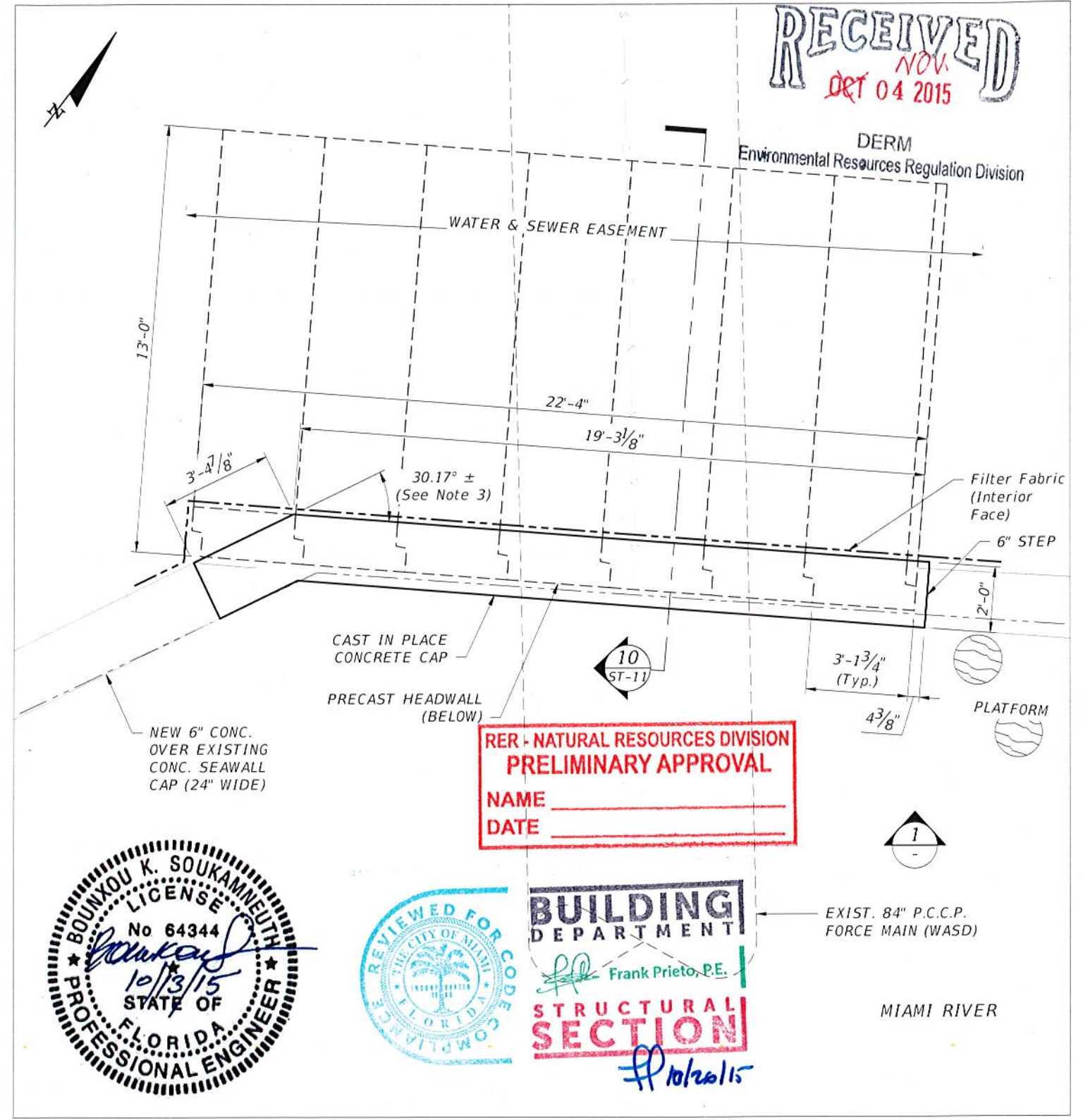
SECTION - 10
SCALE: 1/4" = 1'-0"



ELEVATION VIEW 1 - DETAIL
SCALE: 1/4" = 1'-0"



SECTION A-A
SCALE: 3/4" = 1'-0"



HEADWALL PLAN
SCALE: 1/4" = 1'-0"

- NOTES:**
1. Concrete Class IV, f'c = 5.5 ksi
 2. Reinforcing Steel, Grade 60
 3. Approximate angle to match existing. Contractor to field verify.

REVISIONS		
DATE	BY	DESCRIPTION

EOR
For **James Rosales, P.E.**
No. 54635
T-Y-LIN INTERNATIONAL

CITY OF MIAMI
CAPITAL IMPROVEMENTS PROGRAM
444 S.W. 2ND AVENUE, 8TH FLOOR
MIAMI, FLORIDA 33130
(305) 416-1213 FAX (305) 416-1253

CITY OF MIAMI
CAPITAL IMPROVEMENTS PROGRAM
PROJECT NAME: LUMMUS PARK LANDING AREA
PROJECT No.: B-30643

STRUCTURE - HEADWALL - DETAILS

SHEET NO.
ST-11

NOT FOR CONSTRUCTION 100% PLANS