

ELEVATION IN FEET NGVD29

US ARMY  
CORPS OF ENGINEERS

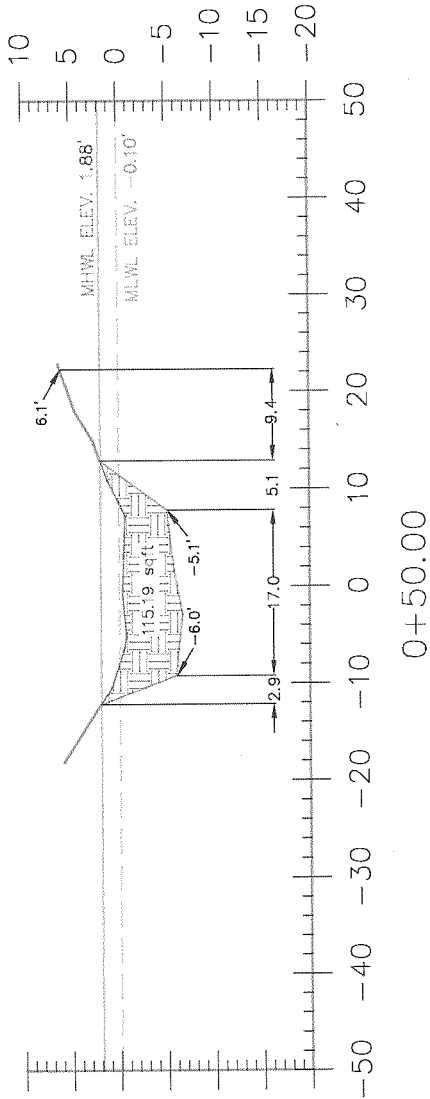
JUL 10 2011

MIAMI REGULATORY OFFICE

COE #: 2004-06642

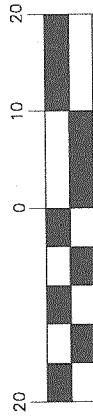
PROJECT MANAGER: Ab

24 of 60



ELEVATION IN FEET NGVD29

GRAPHIC SCALE

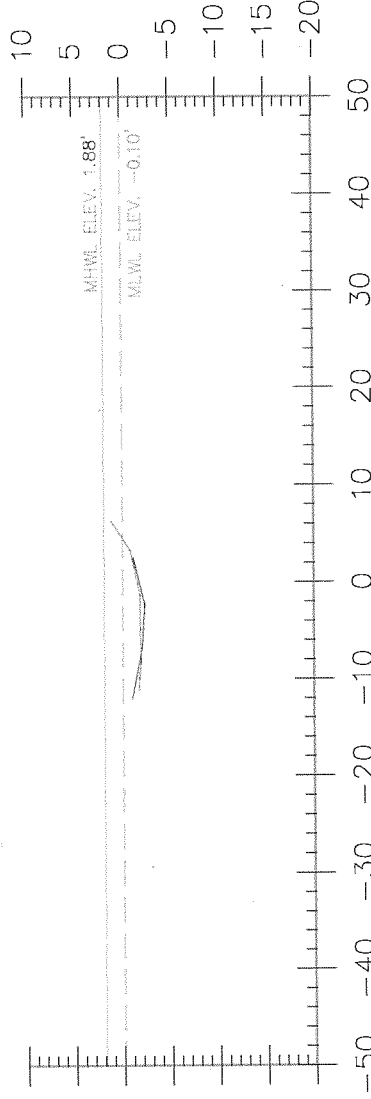


( IN FEET )  
1 inch = 20 ft.

LEGEND

- SEDIMENT TO BE REMOVED
- SLOUGHING VOLUME
- NATURAL SOIL/NON SEDIMENT
- NATURAL SOIL/SEDIMENT INTERFACE
- TOP OF SEDIMENT
- 1.88' MEAN HIGH WATER LINE
- 0.10' MEAN LOW WATER LINE
- NATIONAL GEODETIC VERTICAL ELEVATION OF 1929
- 1:3 SLOPE SLOUGHING LINE

NOTE: THE PROPOSED DREDGE CUT LINES AND GRADES SHOWN ON THESE CROSS-SECTIONS ARE TO BE FIELD VERIFIED IN ORDER TO REMOVE THE MAXIMUM EXTENT OF SEDIMENT POSSIBLE WITHOUT COMPROMISING STRUCTURES LOCATED ADJACENT TO OR WITHIN THE DESIGNATED WORK AREA.

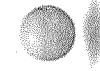
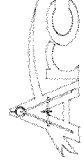


0+03.29  
BEGIN WAGNER CREEK

OPERATIONAL SECTION 1 SHEET 1 OF 37

ARC SURVEYING & MAPPING, INC.

5202 SAN JUAN AVENUE,  
JACKSONVILLE, FLORIDA 32210  
PHONE: 904/384-8377  
LICENSED BUSINESS NO. 6487



DADE COUNTY, FLORIDA  
WAGNER CREEK &  
SEYBOLD CANAL  
MIAMI, FLORIDA

JKM

11-14-08

09-08/08-09

07-10-07

A-08-29

US ARMY  
CORPS OF ENGINEERS

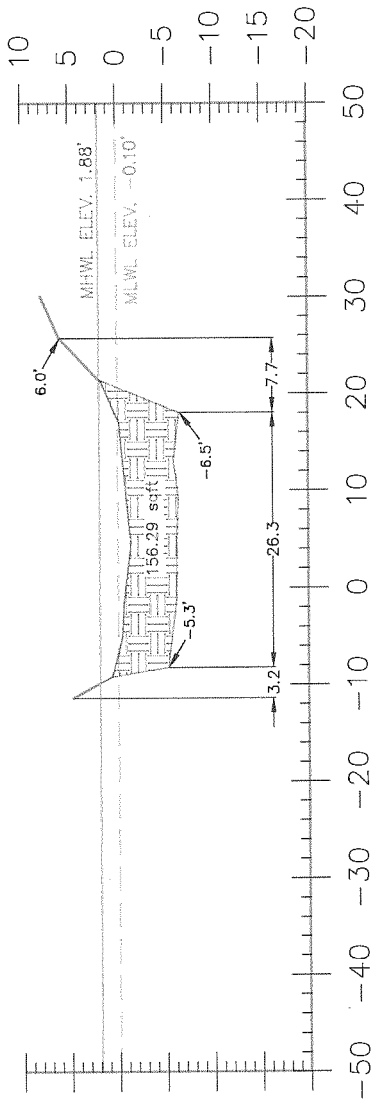
JUL 19 2011

MIAMI REGULATORY OFFICE

COE # 2004-06642  
PROJECT MANAGER Ab

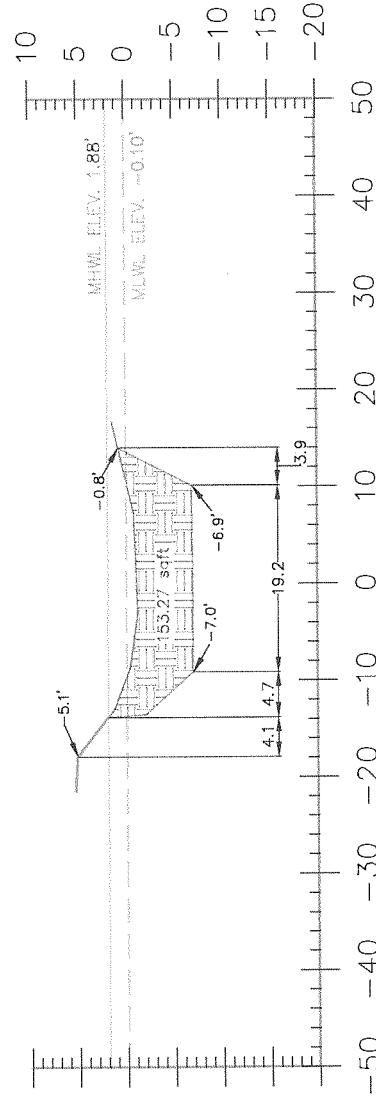
25 of 60

ELEVATION IN FEET NGVD29



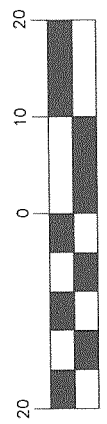
1+85.00

ELEVATION IN FEET NGVD29



1+50.00

GRAPHIC SCALE



LEGEND

- SEDIMENT TO BE REMOVED
- SLOUGHING VOLUME
- NATURAL SOIL/NON SEDIMENT
- NATURAL SOIL/SEDIMENT INTERFACE
- TOP OF SEDIMENT
- 1.88' MEAN HIGH WATER LINE
- -0.10' MEAN LOW WATER LINE
- NATIONAL GEODETIC VERTICAL ELEVATION OF 1929
- 1:3 SLOPE SLOUGHING LINE

NOTE: THE PROPOSED DREDGE CUT LINES AND GRADES SHOWN ON THESE CROSS-SECTIONS ARE TO BE FIELD VERIFIED IN ORDER TO REMOVE THE MAXIMUM EXTENT OF SEDIMENT POSSIBLE WITHOUT COMPROMISING STRUCTURES LOCATED ADJACENT TO OR WITHIN THE DESIGNATED WORK AREA.

OPERATIONAL SECTION 1 SHEET 2 OF 37

<p>DADE COUNTY, FLORIDA WAGNER CREEK &amp; SEYBOLD CANAL MIAMI, FLORIDA</p>		<p><b>ARC SURVEYING &amp; MAPPING, INC.</b> 5202 SAN JUAN AVENUE, JACKSONVILLE, FLORIDA 32210 PHONE: 904/384-8377 LICENSED BUSINESS NO. 6487</p>
JKM	11-14-08	08-08/08-09
		07-10-07

A-08-29

ELEVATION IN FEET NGVD29

US ARMY  
CORPS OF ENGINEERS

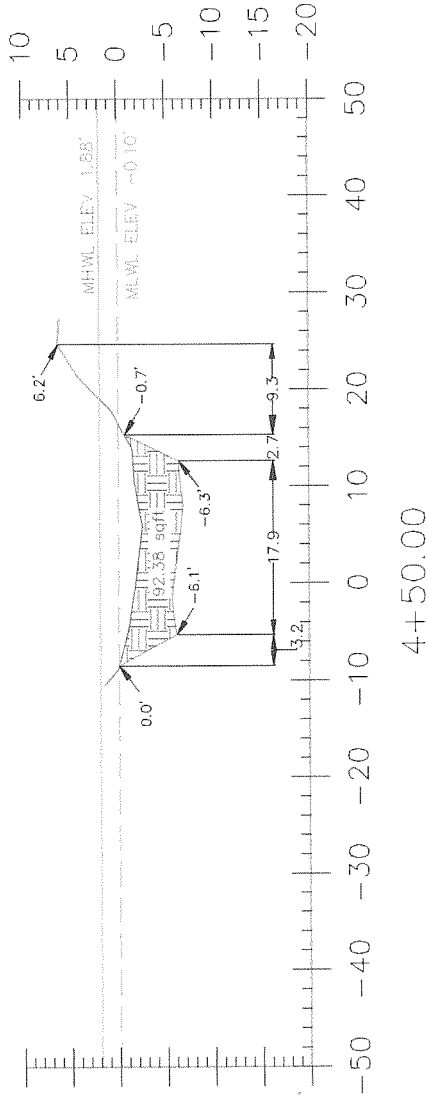
JUL 19 2011

MIAMI REGULATORY OFFICE

COE #: 2004-00642

PROJECT MANAGER: Ab

Z6 of 60



ELEVATION IN FEET NGVD29

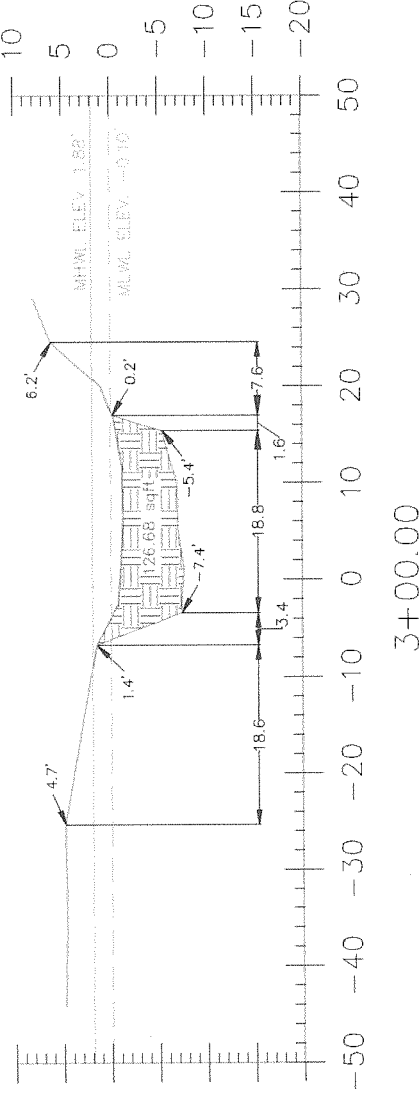
GRAPHIC SCALE



LEGEND

- = SEDIMENT TO BE REMOVED
- = SLOUGHING VOLUME
- = NATURAL SOIL/NON SEDIMENT
- = NATURAL SOIL/SEDIMENT INTERFACE
- = TOP OF SEDIMENT
- = 1.88' MEAN HIGH WATER LINE
- = -0.10' MEAN LOW WATER LINE
- = NATIONAL GEODETIC VERTICAL ELEVATION OF 1929
- = 1:3 SLOPE SLOUGHING LINE

NOTE: THE PROPOSED DREDGE CUT LINES AND GRADES SHOWN ON THESE CROSS-SECTIONS ARE TO BE FIELD VERIFIED IN ORDER TO REMOVE THE MAXIMUM EXTENT OF SEDIMENT POSSIBLE WITHOUT COMPROMISING STRUCTURES LOCATED ADJACENT TO OR WITHIN THE DESIGNATED WORK AREA.



OPERATIONAL SECTION 1 SHEET 3 OF 17

ARC SURVEYING & MAPPING, INC.

5202 SAN JUAN AVENUE  
JACKSONVILLE, FLORIDA 32210  
PHONE: 904/384-8377  
LICENSED BUSINESS NO. 6487



CH2MHILL

DADE COUNTY, FLORIDA  
WAGNER CREEK &  
SEYBOLD CANAL  
MIAMI, FLORIDA

DRAWN BY: JK M DATE: 11-14-08 FIELD BOOK & PAGE 08-08/08-09 JOB NO. 07-10-07

US ARMY  
CORPS OF ENGINEERS

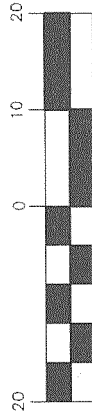
JUL 19 2011

MIAMI REGULATORY OFFICE

CODE # 2004-066412  
PROJECT MANAGER AG

27 of 60

GRAPHIC SCALE



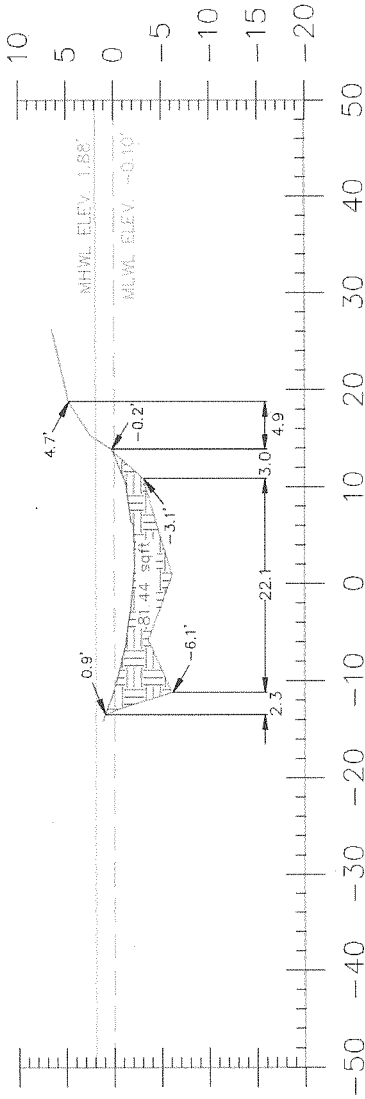
( IN FEET )  
1 inch = 20 ft.

LEGEND

- [Hatched pattern] = SEDIMENT TO BE REMOVED
- [Cross-hatched pattern] = SLOUCHING VOLUME
- [Dotted pattern] = NATURAL SOIL/NON SEDIMENT
- [Horizontal lines] = NATURAL SOIL/SEDIMENT INTERFACE
- [Vertical line] = TOP OF SEDIMENT
- [Dashed line] = 1.88' MEAN HIGH WATER LINE
- [Dotted line] = -0.10' MEAN LOW WATER LINE
- [Solid line] = NATIONAL GEODETIC VERTICAL ELEVATION OF 1929
- [Dash-dot line] = 1:3 SLOPE SLOUCHING LINE

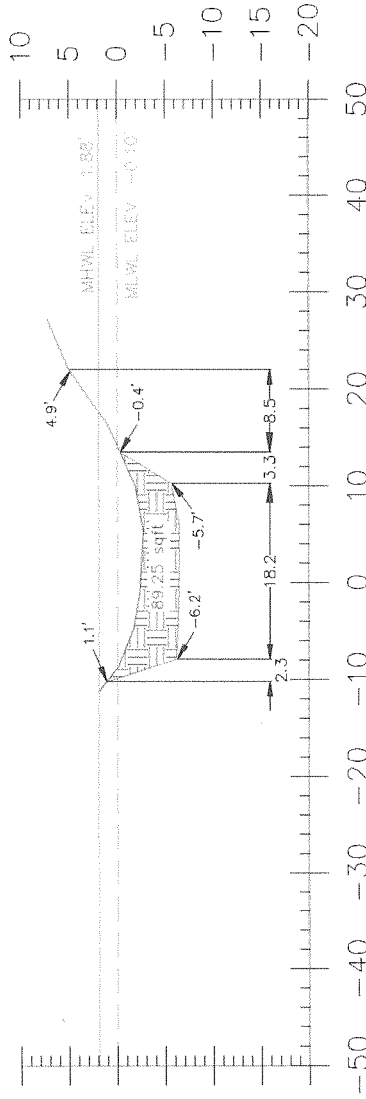
NOTE: THE PROPOSED DREDGE CUT LINES AND GRADES SHOWN ON THESE CROSS-SECTIONS ARE TO BE FIELD VERIFIED IN ORDER TO REMOVE THE MAXIMUM EXTENT OF SEDIMENT POSSIBLE WITHOUT COMPROMISING STRUCTURES LOCATED ADJACENT TO OR WITHIN THE DESIGNATED WORK AREA.

ELEVATION IN FEET NGVD29



7+50.00

ELEVATION IN FEET NGVD29



6+00.00

OPERATIONAL SECTION 1 SHEET 4 OF 37

ARC SURVEYING & MAPPING, INC.

5202 SAN JUAN AVENUE,  
JACKSONVILLE, FLORIDA 32210  
PHONE: 904/384-8377  
LICENSED BUSINESS NO. 6487



ARC SURVEYING & MAPPING, INC.  
DRAWN BY: JKM DATE: 11-14-08 FIELD BOOK & PAGE: 08-08/08-09 JOB NO.: 07-10-07



DADE COUNTY, FLORIDA  
WAGNER CREEK &  
SEYBOLD CANAL  
MIAMI, FLORIDA

US ARMY  
CORPS OF ENGINEERS

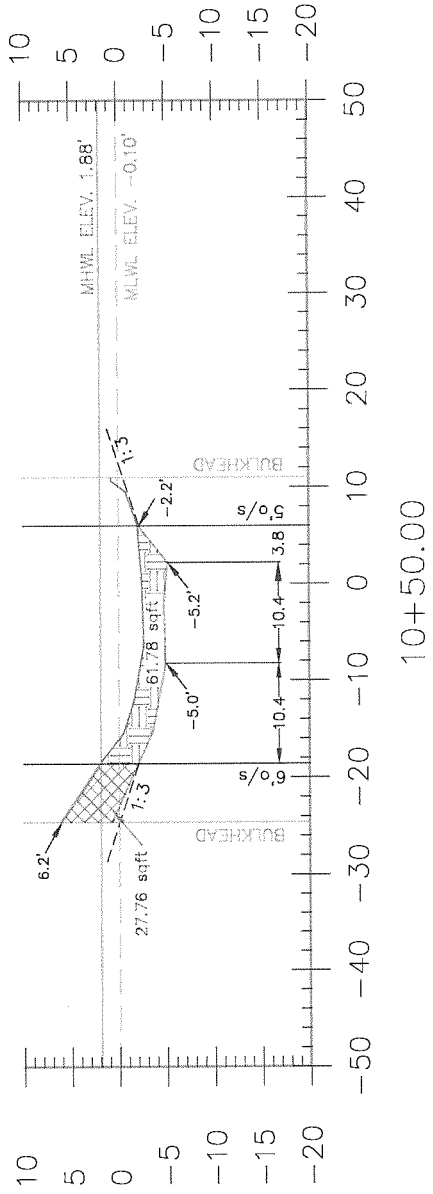
JUL 19 2011

MAJOR REGULATORY OFFICE

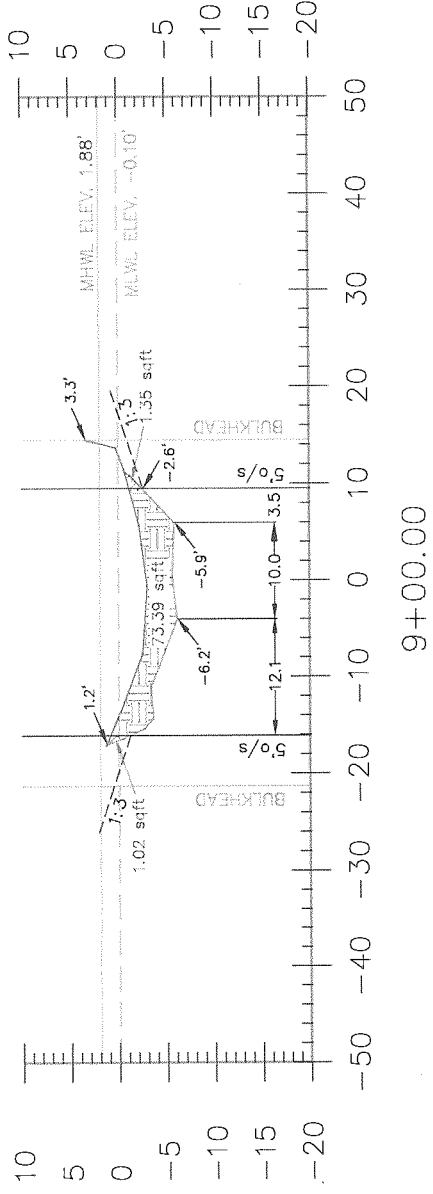
COE # 2004-06642  
PROJECT NUMBER: AB

28 of 60

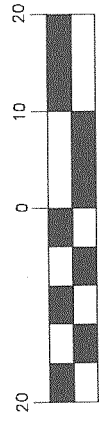
ELEVATION IN FEET NGVD29



ELEVATION IN FEET NGVD29



GRAPHIC SCALE



( IN FEET )  
1 inch = 20 ft.

LEGEND

- SEDIMENT TO BE REMOVED
- SLOUGHING VOLUME
- NATURAL SOIL/NON SEDIMENT
- NATURAL SOIL/SEDIMENT INTERFACE
- TOP OF SEDIMENT
- 1.88' MEAN HIGH WATER LINE
- -0.10' MEAN LOW WATER LINE
- NATIONAL GEODETIC VERTICAL ELEVATION OF 1929
- 1:3 SLOPE SLOUGHING LINE

NOTE: THE PROPOSED DREDGE CUT LINES AND GRADES SHOWN ON THESE CROSS-SECTIONS ARE TO BE FIELD VERIFIED IN ORDER TO REMOVE THE MAXIMUM EXTENT OF SEDIMENT POSSIBLE WITHOUT COMPROMISING STRUCTURES LOCATED ADJACENT TO OR WITHIN THE DESIGNATED WORK AREA.

OPERATIONAL SECTION 1 SHEET 5 OF 37

<p><b>ARC SURVEYING &amp; MAPPING, INC.</b> 5202 SAN JUAN AVENUE, JACKSONVILLE, FLORIDA 32210 PHONE: 904/384-8377 LICENSED BUSINESS NO. 6487</p>		<p>DADE COUNTY, FLORIDA WAGNER CREEK &amp; SEYBOLD CANAL MIAMI, FLORIDA</p>
<p>JKM 11-14-08 08-08/08-09 07-10-07</p>	<p>A-08-29</p>	

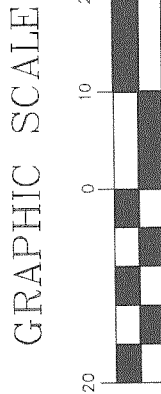
US ARMY  
CORPS OF ENGINEERS

JUL 19 2011

MIAMI INDIANAVILLE OFFICE

COE # 2004-06642  
PROJECT MANAGER AB

2A of 60

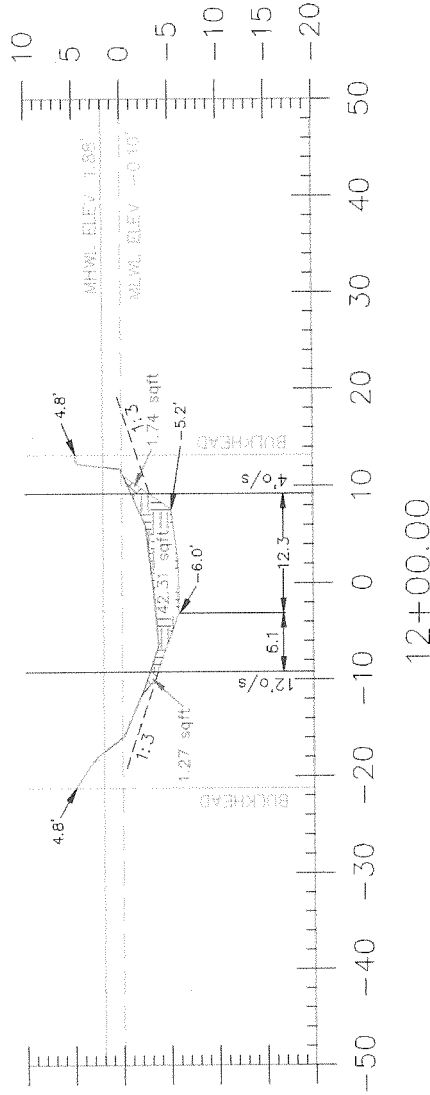


LEGEND

- [Hatched Box] = SEDIMENT TO BE REMOVED
- [Cross-hatched Box] = SLOUGHING VOLUME
- [Dotted Box] = NATURAL SOIL/NON SEDIMENT
- [Horizontal Lines] = NATURAL SOIL/SEDIMENT INTERFACE
- [Vertical Line] = TOP OF SEDIMENT
- [Dashed Line] = 1.88' MEAN HIGH WATER LINE
- [Dotted Line] = -0.10' MEAN LOW WATER LINE
- [Solid Line] = NATIONAL GEODETIC VERTICAL ELEVATION OF 1929
- [Dash-dot Line] = 1:3 SLOPE SLOUGHING LINE

NOTE: THE PROPOSED DREDGE CUT LINES AND GRADES SHOWN ON THESE CROSS-SECTIONS ARE TO BE FIELD VERIFIED IN ORDER TO REMOVE THE MAXIMUM EXTENT OF SEDIMENT POSSIBLE WITHOUT COMPROMISING STRUCTURES LOCATED ADJACENT TO OR WITHIN THE DESIGNATED WORK AREA.

ELEVATION IN FEET NGVD29



OPERATIONAL SECTION 1 SHEET 6 OF 37

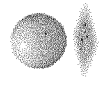
ARC SURVEYING & MAPPING, INC.

5202 SAN JUAN AVENUE  
JACKSONVILLE, FLORIDA 32210  
PHONE: 904/584-8377  
LICENSED BUSINESS NO. 6487



DRAWN BY: JKM DATE: 11-14-08 FIELD BOOK & PAGE: 08-08/08-09 JOB NO.: 07-10-07

DADE COUNTY, FLORIDA  
WAGNER CREEK &  
SEYBOLD CANAL  
MIAMI, FLORIDA



CH2MHILL

USARMY  
CORPS OF ENGINEERS

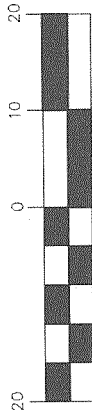
JUL 19 2011

MIAMI HEADQUARTERS OFFICE

CCIE # 2004-06642  
PROJECT MANAGER AB

30 of 60

GRAPHIC SCALE



( IN FEET )  
1 inch = 20 ft.

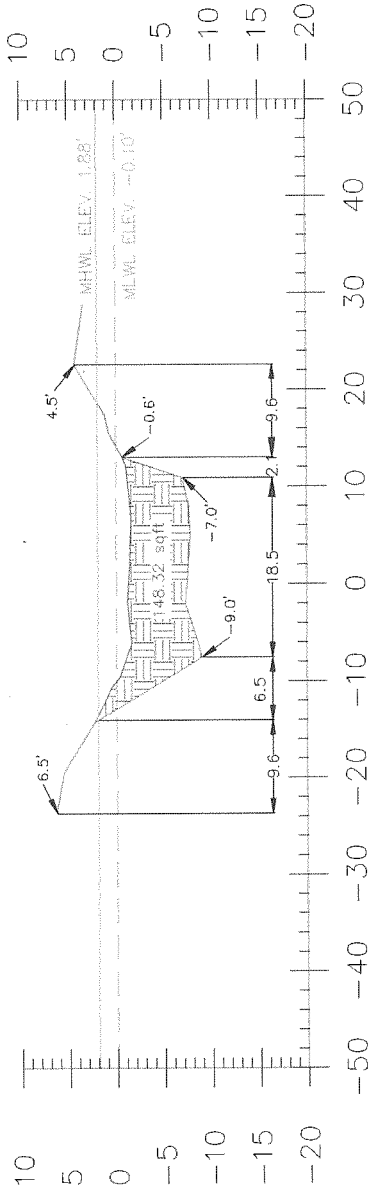
LEGEND

- [Hatched pattern] = SEDIMENT TO BE REMOVED
- [Cross-hatched pattern] = SLOUGHING VOLUME
- [Dotted pattern] = NATURAL SOIL/NON SEDIMENT
- [Horizontal lines] = NATURAL SOIL/SEDIMENT INTERFACE
- [Vertical lines] = TOP OF SEDIMENT
- [Dashed line] = 1.88' MEAN HIGH WATER LINE
- [Dotted line] = -0.10' MEAN LOW WATER LINE
- [Solid line] = NATIONAL GEODETIC VERTICAL ELEVATION OF 1929
- [Dash-dot line] = 1:3 SLOPE SLOUGHING LINE

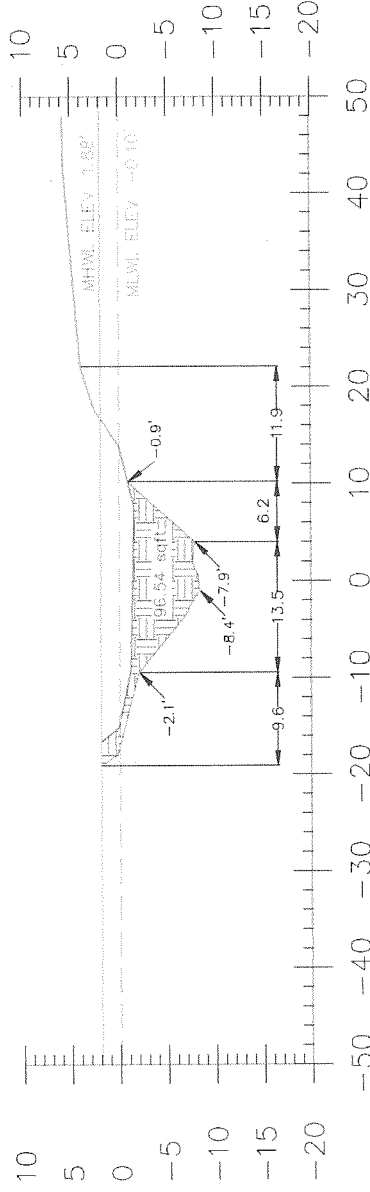
NOTE: THE PROPOSED DREDGE CUT LINES AND GRADES SHOWN ON THESE CROSS-SECTIONS ARE TO BE FIELD VERIFIED IN ORDER TO REMOVE THE MAXIMUM EXTENT OF SEDIMENT POSSIBLE WITHOUT COMPROMISING STRUCTURES LOCATED ADJACENT TO OR WITHIN THE DESIGNATED WORK AREA.

ELEVATION IN FEET NGVD29

ELEVATION IN FEET NGVD29



18+00.00



15+00.00

OPERATIONAL SECTION 2 SHEET 7 OF 37

ARC SURVEYING & MAPPING, INC.

5202 SAN JUAN AVENUE  
JACKSONVILLE, FLORIDA 32210  
PHONE: 904/384-8377  
LICENSED BUSINESS NO. 6487



CH2MHILL  
DRAWN BY: JKM DATE: 11-14-08 FIELD BOOK & PAGE: 08-08/08-09 JOB NO.: 07-10-07

DADE COUNTY, FLORIDA  
WAGNER CREEK &  
SEYBOLD CANAL  
MIAMI, FLORIDA

US ARMY  
CORPS OF ENGINEERS

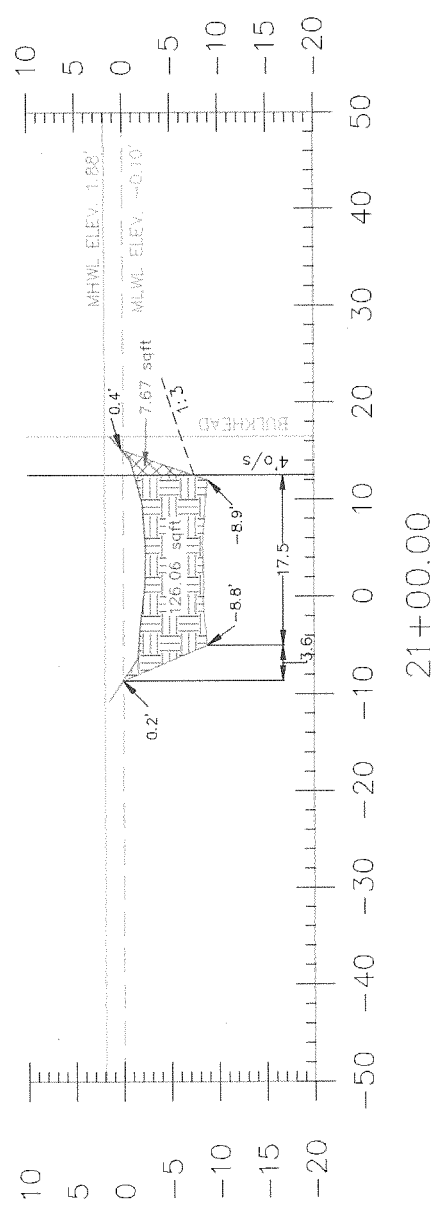
JUL 19 2011

MIAMI REGULATORY OFFICE

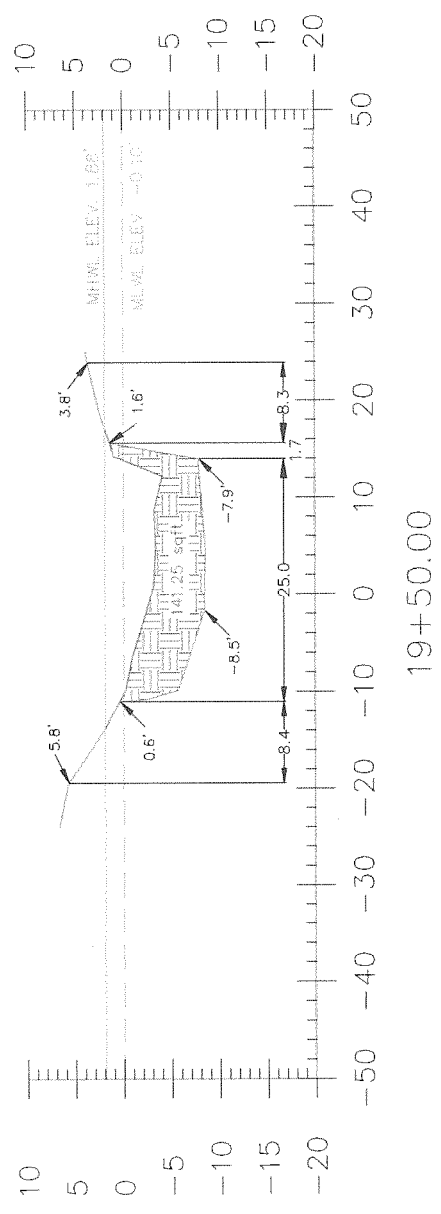
CEE #: 2004-066643  
PROJECT MANAGER: AG

31 of 60

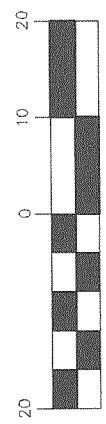
ELEVATION IN FEET NGVD29



ELEVATION IN FEET NGVD29



GRAPHIC SCALE



( IN FEET )  
1 inch = 20 ft.

LEGEND

- [Pattern] = SEDIMENT TO BE REMOVED
- [Pattern] = SLOUGHING VOLUME
- [Pattern] = NATURAL SOIL/NON SEDIMENT
- [Pattern] = NATURAL SOIL/SEDIMENT INTERFACE
- [Pattern] = TOP OF SEDIMENT
- [Pattern] = 1.88' MEAN HIGH WATER LINE
- [Pattern] = -0.10' MEAN LOW WATER LINE
- [Pattern] = NATIONAL GEODETIC VERTICAL ELEVATION OF 1929
- [Pattern] = 1:3 SLOPE SLOUGHING LINE

NOTE: THE PROPOSED DREDGE CUT LINES AND GRADES SHOWN ON THESE CROSS-SECTIONS ARE TO BE FIELD VERIFIED IN ORDER TO REMOVE THE MAXIMUM EXTENT OF SEDIMENT POSSIBLE WITHOUT COMPROMISING STRUCTURES LOCATED ADJACENT TO OR WITHIN THE DESIGNATED WORK AREA.

OPERATIONAL SECTION 2 SHEET 8 OF 37

ARC SURVEYING & MAPPING, INC.

5202 SAN JUAN AVENUE,  
JACKSONVILLE, FLORIDA 32210  
PHONE: 904/384-8377  
LICENSED BUSINESS NO. 6487



DADE COUNTY, FLORIDA  
WAGNER CREEK &  
SEYBOLD CANAL  
MIAMI, FLORIDA

DRAWN BY: JKM  
DATE: 11-14-08  
FIELD BOOK & PAGE: 08-08/08-09  
JOB NO.: 07-10-07

A-08-29



ELEVATION IN FEET NGVD29

USARMY  
CORPS OF ENGINEERS

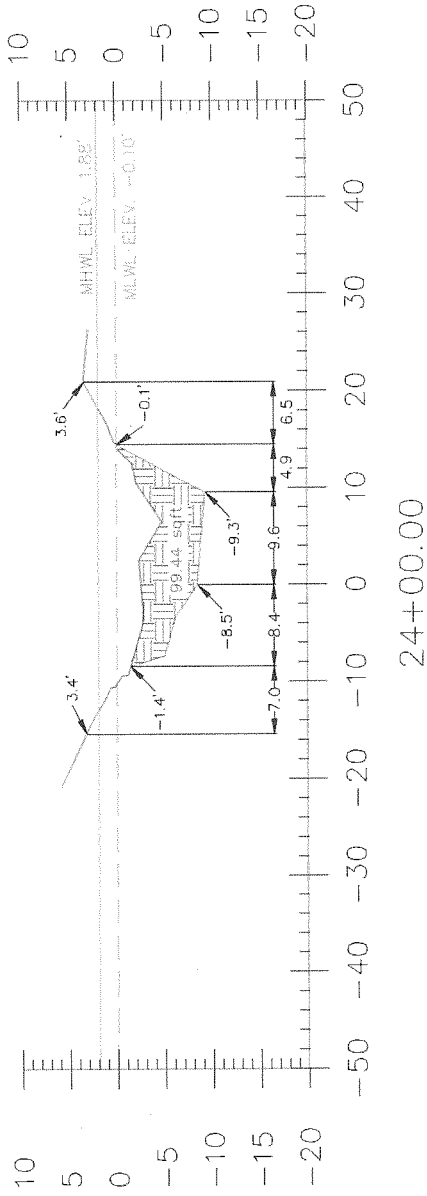
JUL 19 2011

MIAMI DISTRICT OFFICE

COE #: 2004-06642

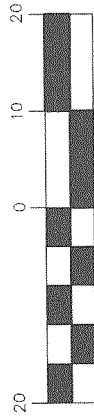
PROJECT MANAGER: AG

32 of 60



ELEVATION IN FEET NGVD29

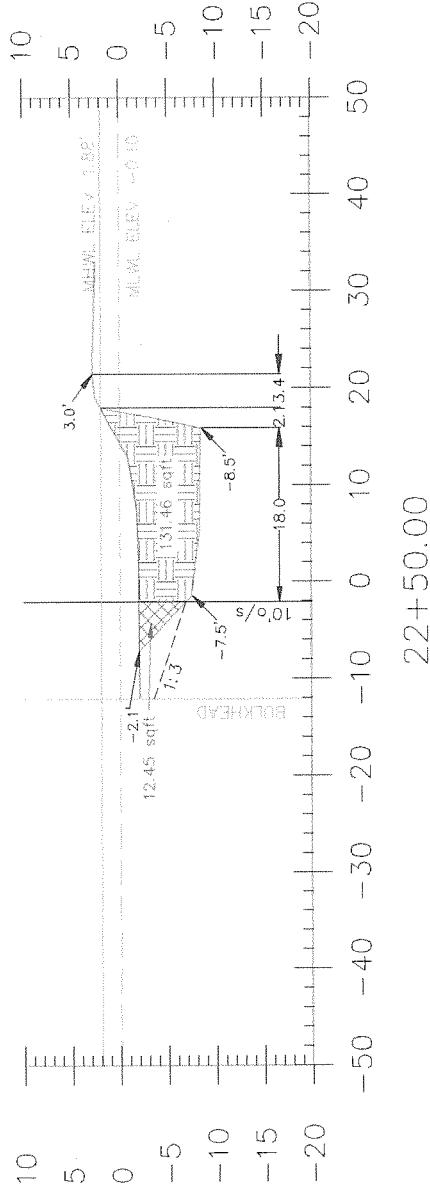
GRAPHIC SCALE



LEGEND

- = SEDIMENT TO BE REMOVED
- = SLOUGHING VOLUME
- = NATURAL SOIL/NON SEDIMENT
- = NATURAL SOIL/SEDIMENT INTERFACE
- = TOP OF SEDIMENT
- = 1.88' MEAN HIGH WATER LINE
- = -0.10' MEAN LOW WATER LINE
- = NATIONAL GEODETIC VERTICAL ELEVATION OF 1929
- = 1:3 SLOPE SLOUGHING LINE

NOTE: THE PROPOSED DREDGE CUT LINES AND GRADES SHOWN ON THESE CROSS-SECTIONS ARE TO BE FIELD VERIFIED IN ORDER TO REMOVE THE MAXIMUM EXTENT OF SEDIMENT POSSIBLE WITHOUT COMPROMISING STRUCTURES LOCATED ADJACENT TO OR WITHIN THE DESIGNATED WORK AREA.



OPERATIONAL SECTION 2

SHEET 9 OF 37

DADE COUNTY, FLORIDA  
WAGNER CREEK &  
SEYBOLD CANAL  
MIAMI, FLORIDA



CH2MHILL

ARC SURVEYING & MAPPING, INC.

5202 SAN JUAN AVENUE,  
JACKSONVILLE, FLORIDA 32210  
PHONE: 904/384-8377  
LICENSED BUSINESS NO. 6487



DRAWN BY: JKM DATE: 11-14-08 FIELD BOOK & PAGE: 08-08/08-09 JOB NO.: 07-10-07



US ARMY  
CORPS OF ENGINEERS

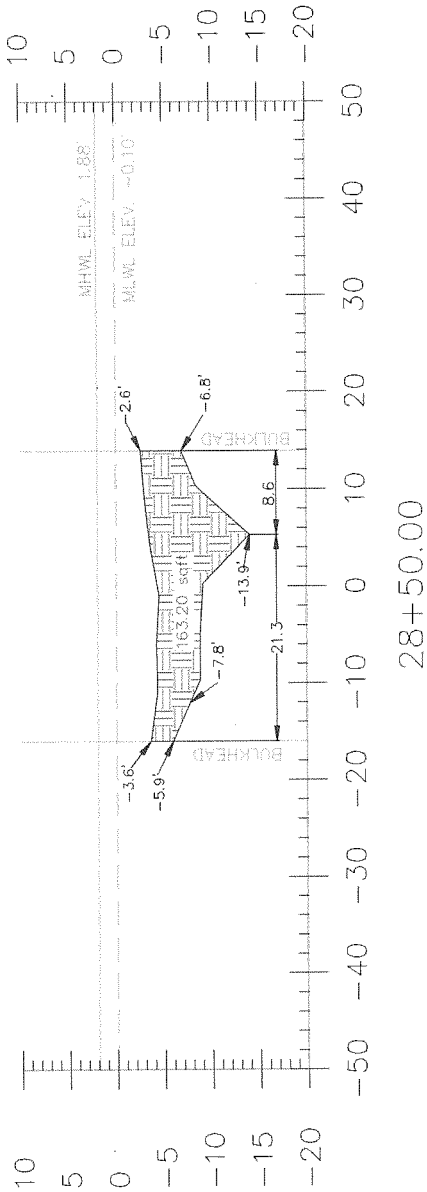
JUL 19 2011

MOBILE (RELEVANT) / OFFLINE

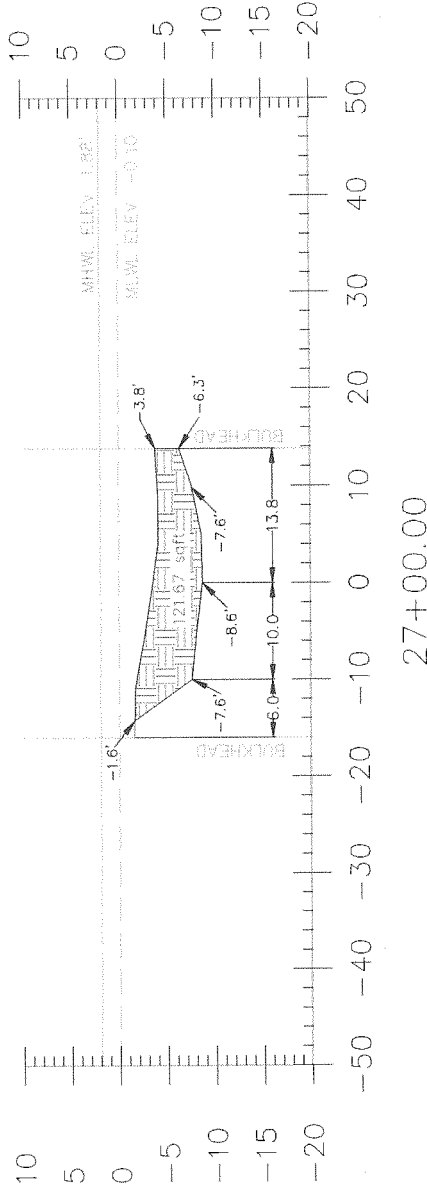
DATE: 2004-06-12  
PROJECT MANAGER: AB

34 of 60

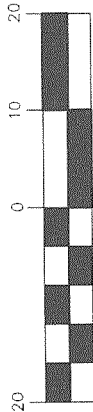
ELEVATION IN FEET NGVD29



ELEVATION IN FEET NGVD29



GRAPHIC SCALE



( IN FEET )  
1 inch = 20 ft.

LEGEND

- [Hatched pattern] = SEDIMENT TO BE REMOVED
- [Cross-hatched pattern] = SLOUGHING VOLUME
- [Dotted pattern] = NATURAL SOIL/NON SEDIMENT
- [Horizontal lines] = NATURAL SOIL/SEDIMENT INTERFACE
- [Vertical line] = TOP OF SEDIMENT
- [Dashed line] = 1.88' MEAN HIGH WATER LINE
- [Dotted line] = -0.10' MEAN LOW WATER LINE
- [Solid line] = NATIONAL GEODETIC VERTICAL ELEVATION OF 1929
- [Dashed line] = 1:3 SLOPE SLOUGHING LINE

NOTE: THE PROPOSED DREDGE CUT LINES AND GRADES SHOWN ON THESE CROSS-SECTIONS ARE TO BE FIELD VERIFIED IN ORDER TO REMOVE THE MAXIMUM EXTENT OF SEDIMENT POSSIBLE WITHOUT COMPROMISING STRUCTURES LOCATED ADJACENT TO OR WITHIN THE DESIGNATED WORK AREA.

OPERATIONAL SECTION 3 SHEET 11 OF 37

ARC SURVEYING & MAPPING, INC.

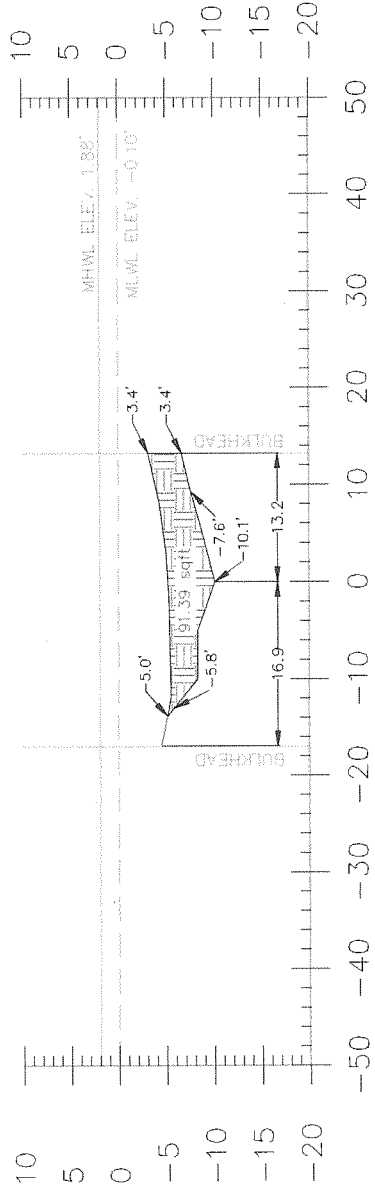
5202 SAN JUAN AVENUE  
JACKSONVILLE, FLORIDA 32210  
PHONE: 904/384-8377  
LICENSED BUSINESS NO. 6487



CH2M HILL  
DRAWN BY: JKM DATE: 11-14-08 FIELD BOOK & PAGE: 08-08/08-09 JOB NO.: 07-10-07

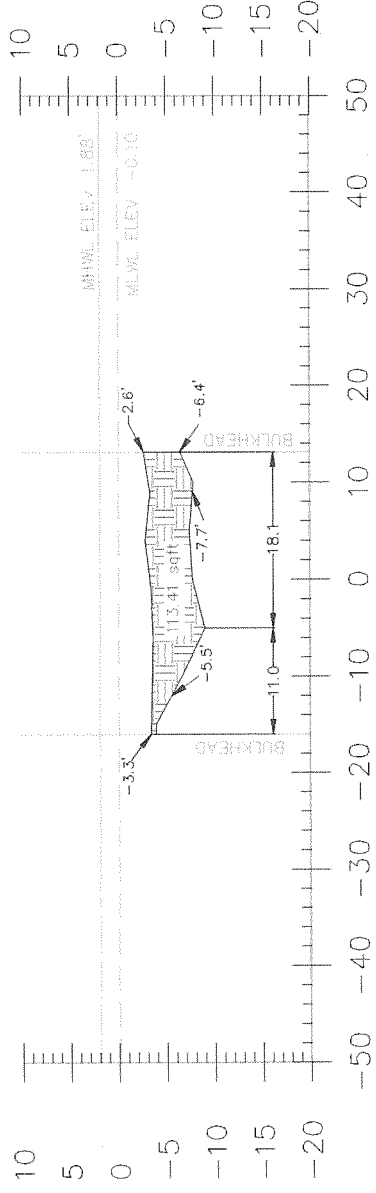
DADE COUNTY, FLORIDA  
WAGNER CREEK &  
SEYBOLD CANAL  
MIAMI, FLORIDA

ELEVATION IN FEET NGVD29



30+67.04

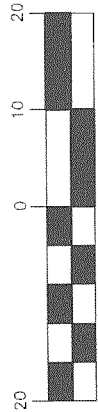
ELEVATION IN FEET NGVD29



30+22.08

US ARMY  
CORPS OF ENGINEERS  
JUL 10 2011  
MIAMI REGIONAL WATER OFFICE  
CDE # 2001-066412  
PROJECT # WAGNER AB  
35 of 60

GRAPHIC SCALE



LEGEND

- SEDIMENT TO BE REMOVED
- SLOUGHING VOLUME
- NATURAL SOIL/NON SEDIMENT
- NATURAL SOIL/SEDIMENT INTERFACE
- TOP OF SEDIMENT
- 1.88' MEAN HIGH WATER LINE
- -0.10' MEAN LOW WATER LINE
- NATIONAL GEODETIC VERTICAL ELEVATION OF 1929
- 1:3 SLOPE SLOUGHING LINE

NOTE: THE PROPOSED DREDGE CUT LINES AND GRADES SHOWN ON THESE CROSS-SECTIONS ARE TO BE FIELD VERIFIED IN ORDER TO REMOVE THE MAXIMUM EXTENT OF SEDIMENT POSSIBLE WITHOUT COMPROMISING STRUCTURES LOCATED ADJACENT TO OR WITHIN THE DESIGNATED WORK AREA.

OPERATIONAL SECTION 3 SHEET 12 OF 37

ARC SURVEYING & MAPPING, INC.

5202 SAN JUAN AVENUE,  
JACKSONVILLE, FLORIDA 32210  
PHONE: 904/384-8377  
LICENSED BUSINESS NO. 6487



CH2MHILL  
DADE COUNTY, FLORIDA  
WAGNER CREEK &  
SEYBOLD CANAL  
MIAMI, FLORIDA

ARC SURVEYING & MAPPING, INC.  
5202 SAN JUAN AVENUE,  
JACKSONVILLE, FLORIDA 32210  
PHONE: 904/384-8377  
LICENSED BUSINESS NO. 6487

ARC SURVEYING & MAPPING, INC.  
5202 SAN JUAN AVENUE,  
JACKSONVILLE, FLORIDA 32210  
PHONE: 904/384-8377  
LICENSED BUSINESS NO. 6487

ARC SURVEYING & MAPPING, INC.  
5202 SAN JUAN AVENUE,  
JACKSONVILLE, FLORIDA 32210  
PHONE: 904/384-8377  
LICENSED BUSINESS NO. 6487

US ARMY  
CORPS OF ENGINEERS

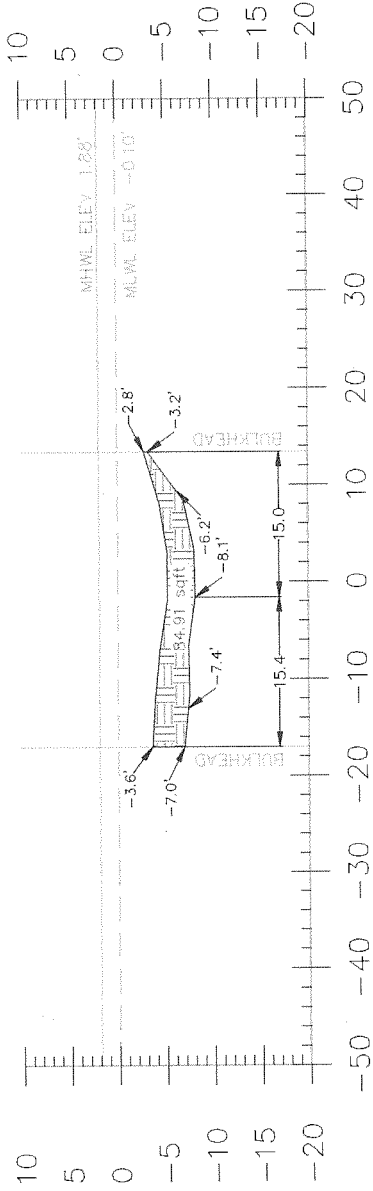
JUL 1 9 2011

31+50.00

OPERATIONAL SECTION 3  
PROJECT MANAGER: Ab

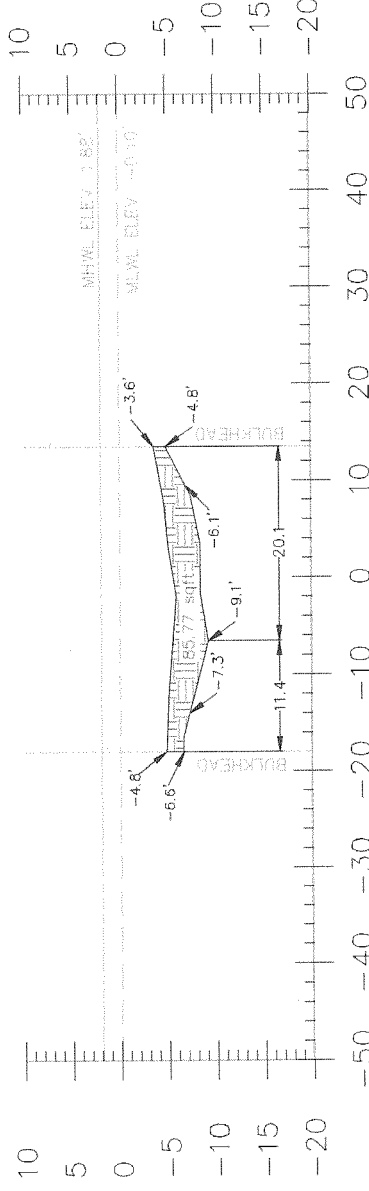
36 of 60

ELEVATION IN FEET NGVD29



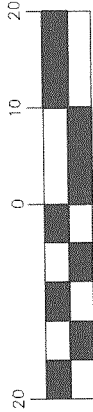
31+50.00

ELEVATION IN FEET NGVD29



30+92.77

GRAPHIC SCALE



( IN FEET )

1 inch = 20 ft.

LEGEND

- = SEDIMENT TO BE REMOVED
- = SLOUGHING VOLUME
- = NATURAL SOIL/NON SEDIMENT
- = NATURAL SOIL/SEDIMENT INTERFACE
- = TOP OF SEDIMENT
- = 1.88' MEAN HIGH WATER LINE
- = -0.10' MEAN LOW WATER LINE
- = NATIONAL GEODETIC VERTICAL ELEVATION OF 1929
- = 1:3 SLOPE SLOUGHING LINE

NOTE: THE PROPOSED DREDGE CUT LINES AND GRADES SHOWN ON THESE CROSS-SECTIONS ARE TO BE FIELD VERIFIED IN ORDER TO REMOVE THE MAXIMUM EXTENT OF SEDIMENT POSSIBLE WITHOUT COMPROMISING STRUCTURES LOCATED ADJACENT TO OR WITHIN THE DESIGNATED WORK AREA.

OPERATIONAL SECTION 3 SHEET 13 OF 37

ARC SURVEYING & MAPPING, INC.

5202 SAN JUAN AVENUE,  
JACKSONVILLE, FLORIDA 32210  
PHONE: 904/384-8377  
LICENSED BUSINESS NO. 6487



DADE COUNTY, FLORIDA  
WACHER CREEK &  
SEYBOLD CANAL  
MIAMI, FLORIDA



ARC SURVEYING & MAPPING, INC.  
DRAWN BY: JKM DATE: 11-14-08 FIELD BOOK & PAGE: 08-08/08-09 JOB NO.: 07-10-07

US ARMY  
CORPS OF ENGINEERS

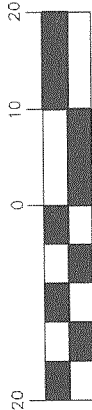
JUL 10 2011

DATE PLOTTED: 07/10/11

PROJECT: 2001-0664Z  
SUBJECT: WAGNER CREEK

37 of 60

GRAPHIC SCALE



( IN FEET )  
1 inch = 20 ft.

LEGEND

- [Symbol] = SEDIMENT TO BE REMOVED
- [Symbol] = SLOUGHING VOLUME
- [Symbol] = NATURAL SOIL/NON SEDIMENT
- [Symbol] = NATURAL SOIL/SEDIMENT INTERFACE
- [Symbol] = TOP OF SEDIMENT
- [Symbol] = 1.88' MEAN HIGH WATER LINE
- [Symbol] = -0.10' MEAN LOW WATER LINE
- [Symbol] = NATIONAL GEODETIC VERTICAL ELEVATION OF 1929
- [Symbol] = 1:3 SLOPE SLOUGHING LINE

NOTE: THE PROPOSED DREDGE CUT LINES AND GRADES SHOWN ON THESE CROSS-SECTIONS ARE TO BE FIELD VERIFIED IN ORDER TO REMOVE THE MAXIMUM EXTENT OF SEDIMENT POSSIBLE WITHOUT COMPROMISING STRUCTURES LOCATED ADJACENT TO OR WITHIN THE DESIGNATED WORK AREA.

DADE COUNTY, FLORIDA  
WAGNER CREEK &  
SEYBOLD CANAL  
MIAMI, FLORIDA



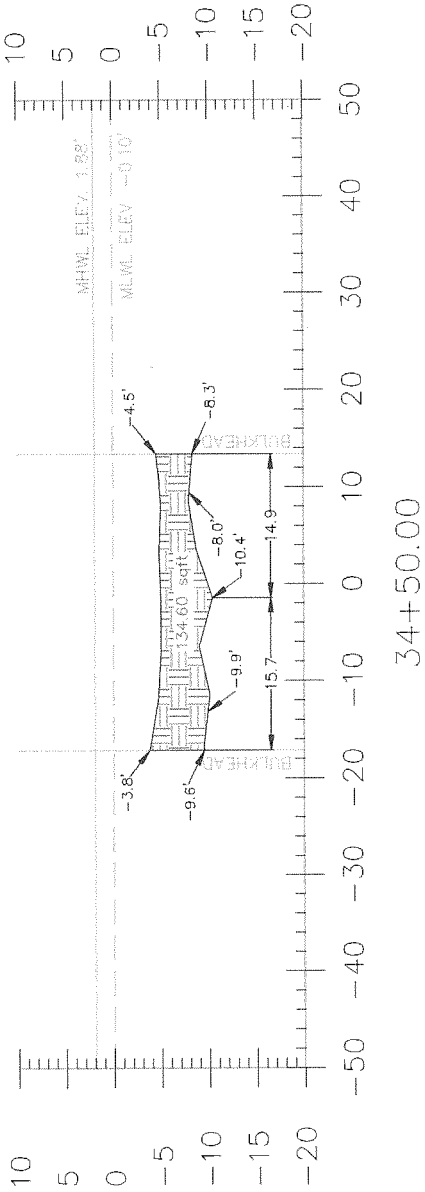
ARC SURVEYING & MAPPING, INC.

5202 SAN JUAN AVENUE,  
JACKSONVILLE, FLORIDA 32210  
PHONE: 904/384-8377  
LICENSED BUSINESS NO. 6487

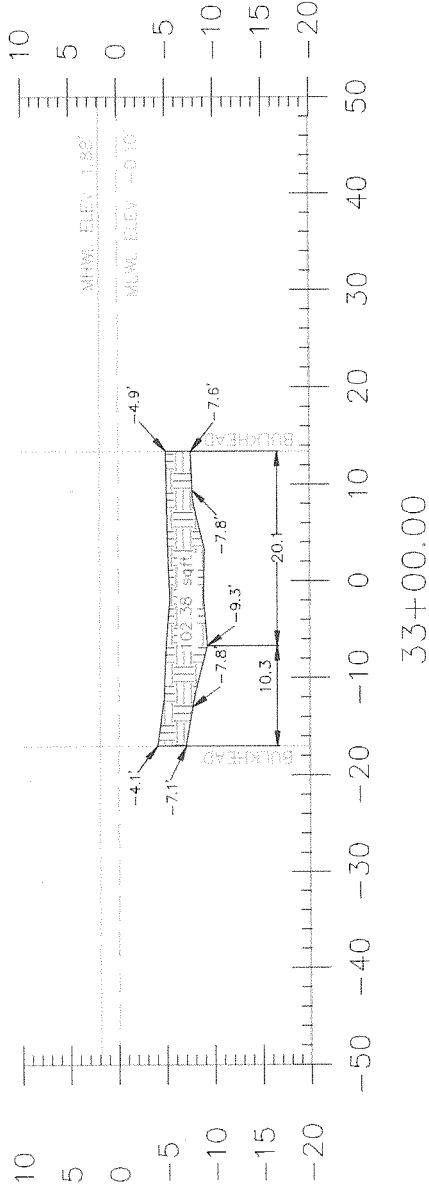
DRAWN BY: JKM DATE: 11-14-08  
FIELD BOOK & PAGE: 08-08/08-09  
JOB NO.: 07-10-07

A-08-29

ELEVATION IN FEET NGVD29



ELEVATION IN FEET NGVD29



OPERATIONAL SECTION 3 SHEET 14 OF 37

US ARMY  
CORPS OF ENGINEERS

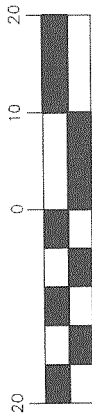
JUL 19 2011

BRAND Resolution Office

CREW: 200406042  
PROJECT NUMBER: A6

38 of 60

GRAPHIC SCALE



( IN FEET )

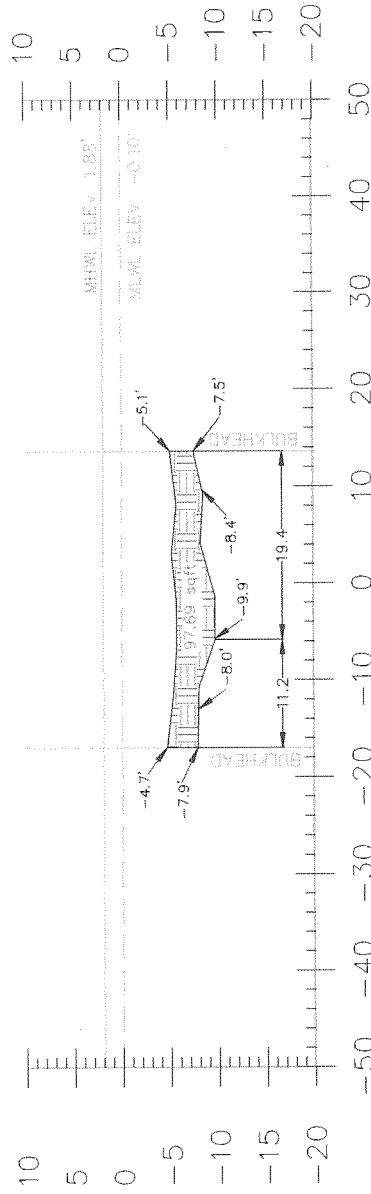
1 inch = 20. ft.

LEGEND

- [Hatched pattern] = SEDIMENT TO BE REMOVED
- [Cross-hatched pattern] = SLOUGHING VOLUME
- [Dotted pattern] = NATURAL SOIL/NON SEDIMENT
- [Horizontal lines] = NATURAL SOIL/SEDIMENT INTERFACE
- [Vertical lines] = TOP OF SEDIMENT
- [Dashed line] = 1.88' MEAN HIGH WATER LINE
- [Solid line] = -0.10' MEAN LOW WATER LINE
- NGVD29 = NATIONAL GEODETIC VERTICAL ELEVATION OF 1929
- 1.3' = 1:3 SLOPE SLOUGHING LINE

NOTE: THE PROPOSED DREDGE CUT LINES AND GRADES SHOWN ON THESE CROSS-SECTIONS ARE TO BE FIELD VERIFIED IN ORDER TO REMOVE THE MAXIMUM EXTENT OF SEDIMENT POSSIBLE WITHOUT COMPROMISING STRUCTURES LOCATED ADJACENT TO OR WITHIN THE DESIGNATED WORK AREA.

ELEVATION IN FEET NGVD29



35+57.18

OPERATIONAL SECTION 3 SHEET 15 OF 37

ARC SURVEYING & MAPPING, INC.

5202 SAN JUAN AVENUE  
JACKSONVILLE, FLORIDA 32210  
PHONE: 904/384-8377  
LICENSED BUSINESS NO. 6487



DRAWN BY: JKM DATE: 11-14-08 FIELD BOOK & PAGE: 08-08/08-09 JOB NO.: 07-10-07



DADE COUNTY, FLORIDA  
WAGNER CREEK &  
SEYBOLD CANAL  
MIAMI, FLORIDA

US ARMY  
CORPS OF ENGINEERS

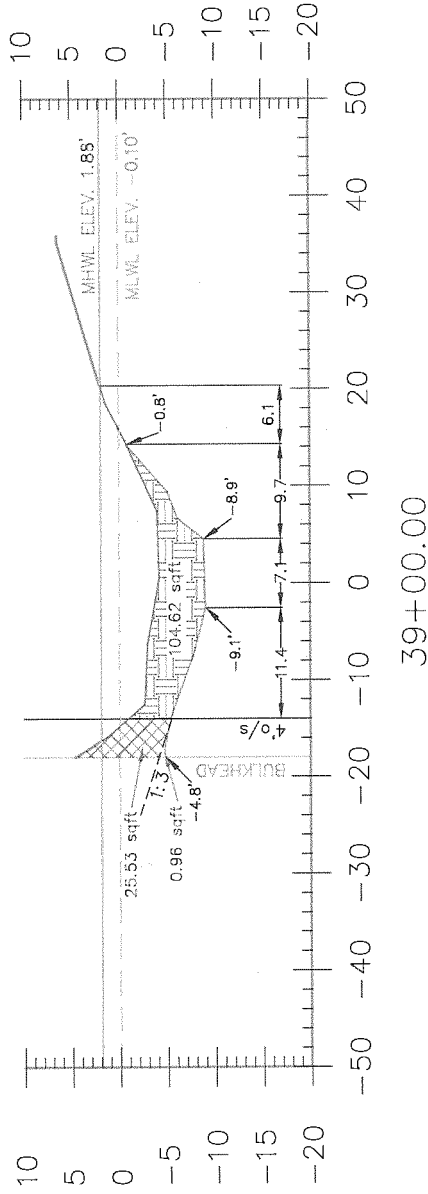
JUL 19 2011

MIAMI REGULATORY OFFICE

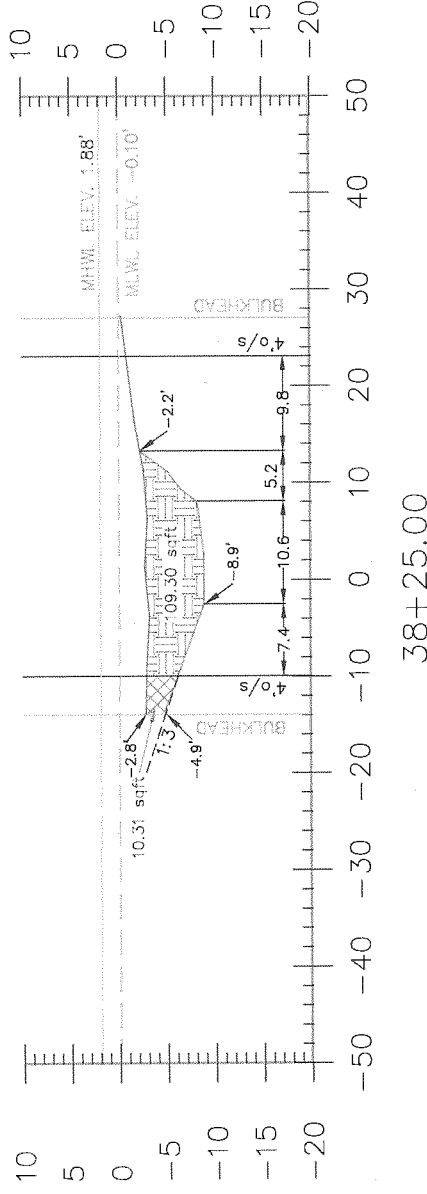
CDE #: 2001-06642  
PROJECT MANAGER: AB

39 of 60

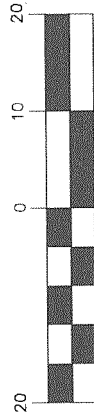
ELEVATION IN FEET NGVD29



ELEVATION IN FEET NGVD29



GRAPHIC SCALE



( IN FEET )  
1 inch = 20 ft.

LEGEND

- SEDIMENT TO BE REMOVED
- ▨ SLoughing VOLUME
- NATURAL SOIL/NON SEDIMENT
- NATURAL SOIL/SEDIMENT INTERFACE
- TOP OF SEDIMENT
- 1.88' MEAN HIGH WATER LINE
- -0.10' MEAN LOW WATER LINE
- NGVD29 NATIONAL GEODETIC VERTICAL ELEVATION OF 1929
- 1:3 -- 1:3 SLOPE SLOUGHING LINE

NOTE: THE PROPOSED DREDGE CUT LINES AND GRADES SHOWN ON THESE CROSS-SECTIONS ARE TO BE FIELD VERIFIED IN ORDER TO REMOVE THE MAXIMUM EXTENT OF SEDIMENT POSSIBLE WITHOUT COMPROMISING STRUCTURES LOCATED ADJACENT TO OR WITHIN THE DESIGNATED WORK AREA.

OPERATIONAL SECTION 4 SHEET 16 OF 37

ARC SURVEYING & MAPPING, INC.

5202 SAN JUAN AVENUE,  
JACKSONVILLE, FLORIDA 32210  
PHONE: 904/384-8377  
LICENSED BUSINESS NO. 6487



DADE COUNTY, FLORIDA  
WAGNER CREEK &  
SEYBOLD CANAL  
MIAMI, FLORIDA



JKM

11-14-08

08-08/08-09

07-10-07

A-08-29



US ARMY  
CORPS OF ENGINEERS

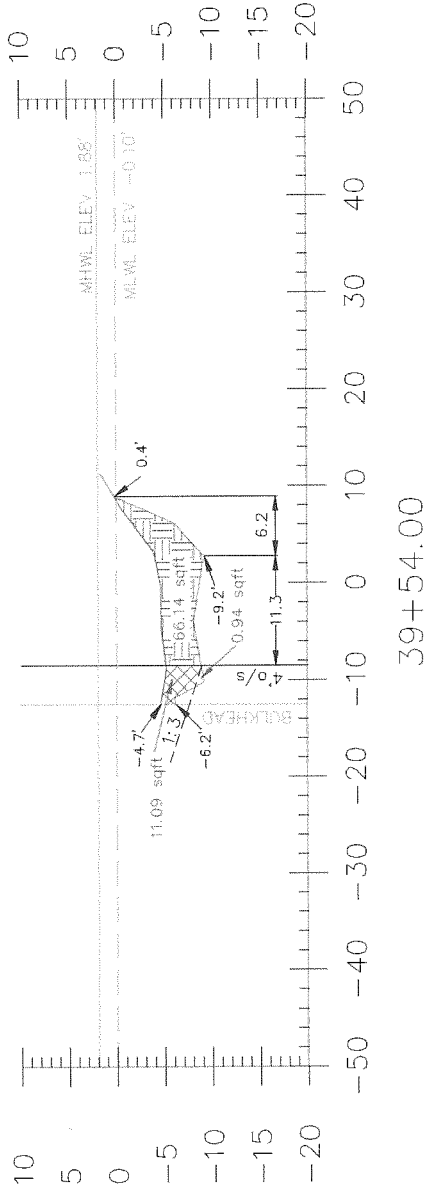
JUL 19 2011

MAINTENANCE UNIT

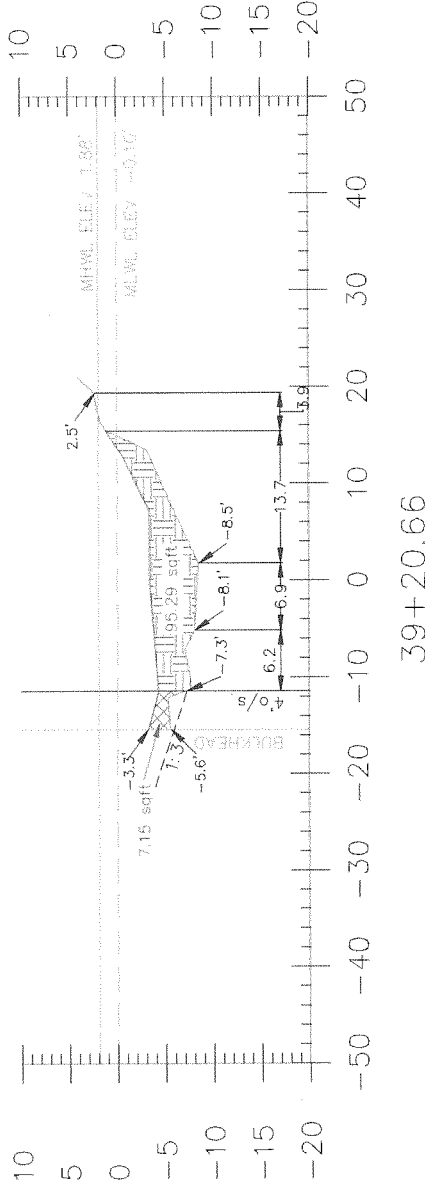
DATE: 2001-06-04  
PROJECT NUMBER: A6

46 of 60

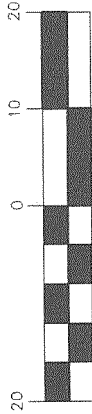
ELEVATION IN FEET NGVD29



ELEVATION IN FEET NGVD29



GRAPHIC SCALE



( IN FEET )  
1 inch = 20 ft.

LEGEND

- SEDIMENT TO BE REMOVED
- SLOUGHING VOLUME
- NATURAL SOIL/NON SEDIMENT
- NATURAL SOIL/SEDIMENT INTERFACE
- TOP OF SEDIMENT
- 1.88' MEAN HIGH WATER LINE
- -0.10' MEAN LOW WATER LINE
- NATIONAL GEODETIC VERTICAL ELEVATION OF 1929
- 1:3 SLOPE SLOUGHING LINE

NOTE: THE PROPOSED DREDGE CUT LINES AND GRADES SHOWN ON THESE CROSS-SECTIONS ARE TO BE FIELD VERIFIED IN ORDER TO REMOVE THE MAXIMUM EXTENT OF SEDIMENT POSSIBLE WITHOUT COMPROMISING STRUCTURES LOCATED ADJACENT TO OR WITHIN THE DESIGNATED WORK AREA.

OPERATIONAL SECTION 4 SHEET 17 OF 37

ARC SURVEYING & MAPPING, INC.

5202 SAN JUAN AVENUE,  
JACKSONVILLE, FLORIDA 32210  
PHONE: 904/384-8377  
LICENSED BUSINESS NO. 6487



CH2MHILL  
DRAWN BY: JKM DATE: 11-14-08 FIELD BOOK & PAGE: 08-08/08-09 JOB NO.: 07-10-07

(DADE COUNTY, FLORIDA)  
WAGNER CREEK &  
SEYBOLD CANAL  
MIAMI, FLORIDA

US ARMY  
CORPS OF ENGINEERS

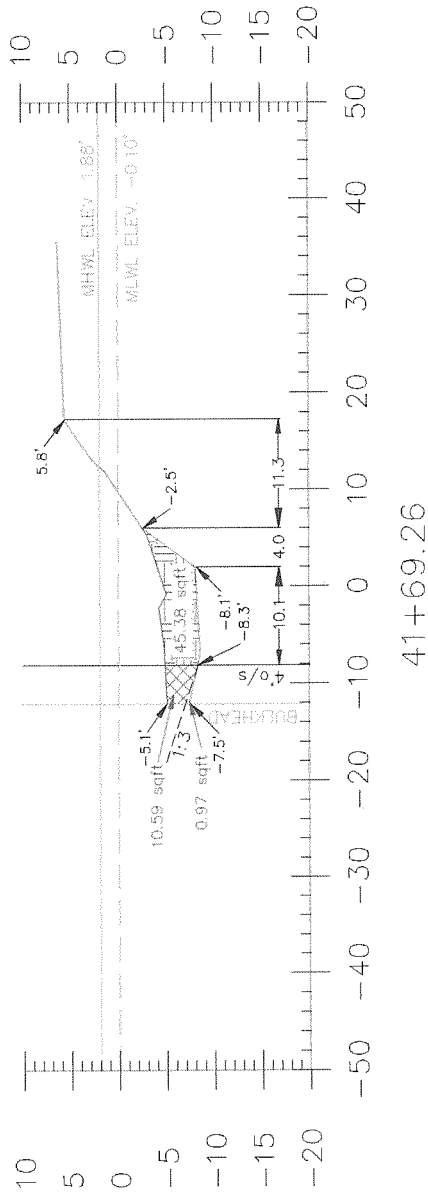
JUL 19 2011

MIAMI RESERVATION OFFICE

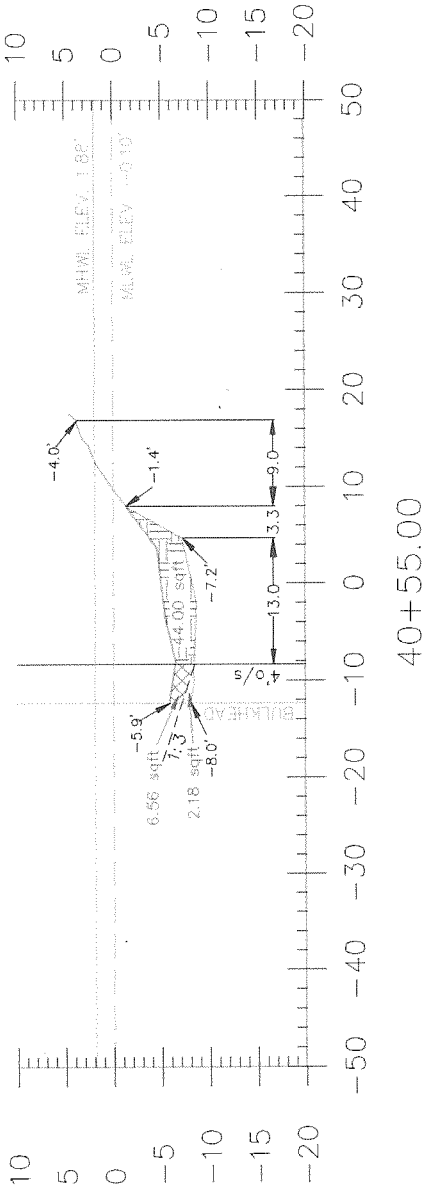
COE # 2004-066442  
PROJECT NUMBER AV

A1 of 60

ELEVATION IN FEET NGVD29

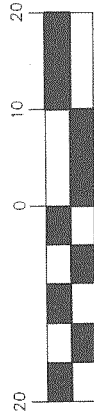


41+69.26



40+55.00

GRAPHIC SCALE



LEGEND

- [Hatched pattern] = SEDIMENT TO BE REMOVED
- [Cross-hatched pattern] = SLOUGHING VOLUME
- [Dashed line] = NATURAL SOIL/NON SEDIMENT
- [Dotted line] = NATURAL SOIL/SEDIMENT INTERFACE
- [Solid line] = TOP OF SEDIMENT
- [Dashed line] = 1.88' MEAN HIGH WATER LINE
- [Dotted line] = -0.10' MEAN LOW WATER LINE
- [Solid line] = NATIONAL GEODETIC VERTICAL ELEVATION OF 1929
- [Dashed line] = 1:3 SLOPE SLOUGHING LINE

NOTE: THE PROPOSED DREDGE CUT LINES AND GRADES SHOWN ON THESE CROSS-SECTIONS ARE TO BE FIELD VERIFIED IN ORDER TO REMOVE THE MAXIMUM EXTENT OF SEDIMENT POSSIBLE WITHOUT COMPROMISING STRUCTURES LOCATED ADJACENT TO OR WITHIN THE DESIGNATED WORK AREA.

OPERATIONAL SECTION 4 SHEET 18 OF 37

ARC SURVEYING & MAPPING, INC.

5202 SAN JUAN AVENUE,  
JACKSONVILLE, FLORIDA 32210  
PHONE: 904/384-8377  
LICENSED BUSINESS NO. 6487



CH2M HILL  
DADE COUNTY, FLORIDA  
WAGNER CREEK &  
SEYBOLD CANAL  
MIAMI, FLORIDA

DRAWN BY: JKM  
DATE: 11-14-08  
FIELD BOOK & PAGE: 08-08/08-09  
JOB NO.: 07-10-07

A-08-29

US ARMY  
CORPS OF ENGINEERS

JUL 19 2011

MIAMI REGULATORY OFFICE

COE # 2004-06442  
PROJECT MANAGER: AB

42 of 60

GRAPHIC SCALE



( IN FEET )

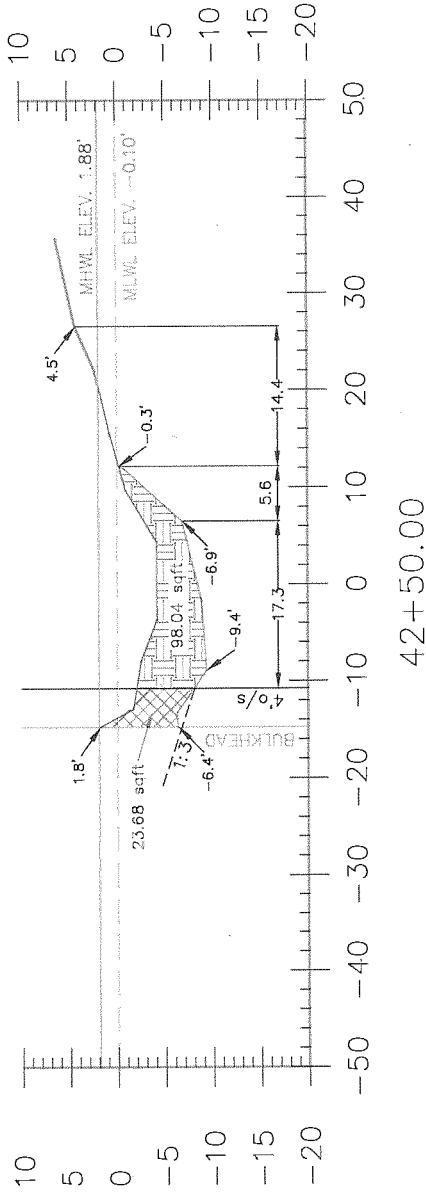
1 inch = 20 ft.

LEGEND

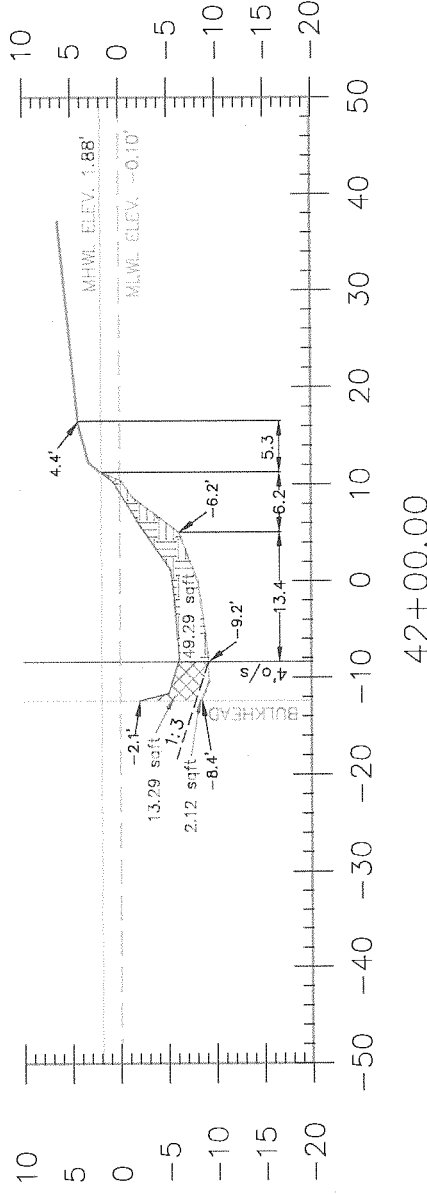
- SEDIMENT TO BE REMOVED
- SLOUGHING VOLUME
- NATURAL SOIL/NON SEDIMENT
- NATURAL SOIL/SEDIMENT INTERFACE
- TOP OF SEDIMENT
- 1.88' MEAN HIGH WATER LINE
- 0.10' MEAN LOW WATER LINE
- NATIONAL GEODETIC VERTICAL ELEVATION OF 1929
- 1:3 SLOPE SLOUGHING LINE

NOTE: THE PROPOSED DREDGE CUT LINES AND GRADES SHOWN ON THESE CROSS-SECTIONS ARE TO BE FIELD VERIFIED IN ORDER TO REMOVE THE MAXIMUM EXTENT OF SEDIMENT POSSIBLE WITHOUT COMPROMISING STRUCTURES LOCATED ADJACENT TO OR WITHIN THE DESIGNATED WORK AREA.

ELEVATION IN FEET NGVD29



ELEVATION IN FEET NGVD29



OPERATIONAL SECTION 4 SHEET 19 OF 37

ARC SURVEYING & MAPPING, INC.

5202 SAN JUAN AVENUE,  
JACKSONVILLE, FLORIDA 32210  
PHONE: 904/384-8377  
LICENSED BUSINESS NO. 6487



DADE COUNTY, FLORIDA  
WAGNER CREEK &  
SEYBOLD CANAL  
MIAMI, FLORIDA

JKM 11-14-08 08-06/08-09 07-10-07

A-08-29

US ARMY  
CORPS OF ENGINEERS

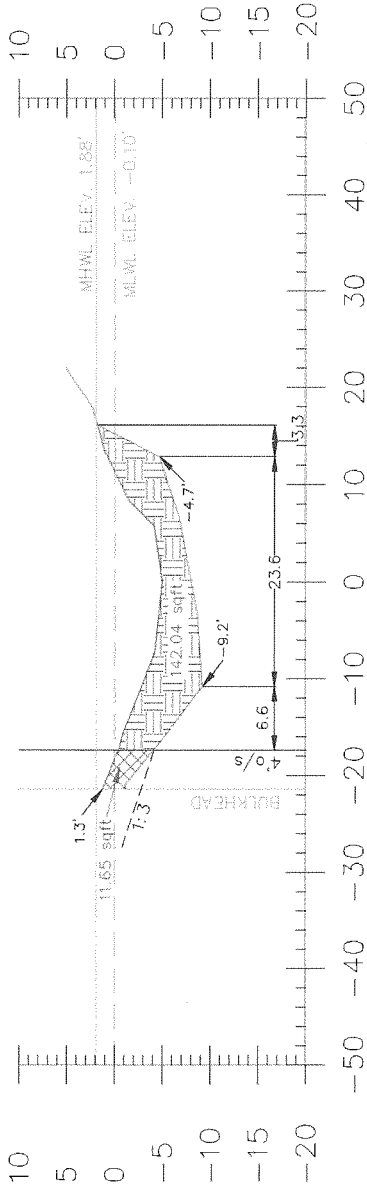
JUL 10 2011

MIAMI DISTRICT OFFICE

DATE: 2004-06-12  
PROJECT NUMBER: A6

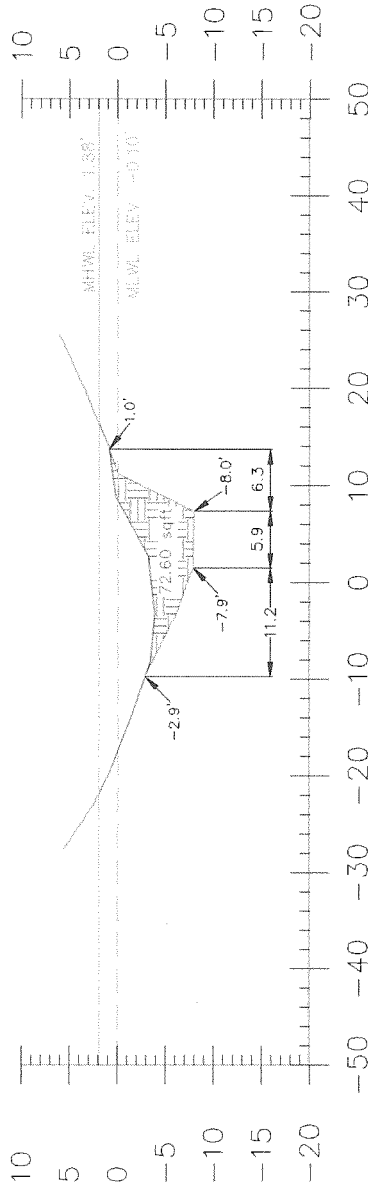
43 of 60

ELEVATION IN FEET NGVD29



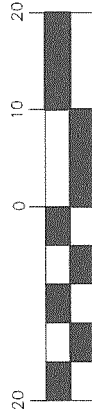
46+50.00

ELEVATION IN FEET NGVD29



46+00.00

GRAPHIC SCALE



( IN FEET )

1 inch = 20 ft.

LEGEND

- [Hatched pattern] = SEDIMENT TO BE REMOVED
- [Cross-hatched pattern] = SLOUGHING VOLUME
- [Dotted pattern] = NATURAL SOIL/NON SEDIMENT
- [Horizontal lines] = NATURAL SOIL/SEDIMENT INTERFACE
- [Vertical lines] = TOP OF SEDIMENT
- [Dashed line] = 1.88' MEAN HIGH WATER LINE
- [Dotted line] = -0.10' MEAN LOW WATER LINE
- [Solid line] = NATIONAL GEODETIC VERTICAL ELEVATION OF 1929
- [Dashed line] = 1:3 SLOPE SLOUGHING LINE

NOTE: THE PROPOSED DREDGE CUT LINES AND GRADES SHOWN ON THESE CROSS-SECTIONS ARE TO BE FIELD VERIFIED IN ORDER TO REMOVE THE MAXIMUM EXTENT OF SEDIMENT POSSIBLE WITHOUT COMPROMISING STRUCTURES LOCATED ADJACENT TO OR WITHIN THE DESIGNATED WORK AREA.

OPERATIONAL SECTION 5 SHEET 20 OF 37

ARC SURVEYING & MAPPING, INC.

5202 SAN JUAN AVENUE,  
JACKSONVILLE, FLORIDA 32210  
PHONE: 904/384-8377  
LICENSED BUSINESS NO. 6487



DADE COUNTY, FLORIDA  
WAGNER CREEK &  
SEYBOLD CANAL  
MIAMI, FLORIDA

DRAWN BY: JKM DATE: 11-14-08  
FIELD BOOK & PAGE: 08-08/08-09  
JOB NO.: 07-10-07

US ARMY  
CORPS OF ENGINEERS

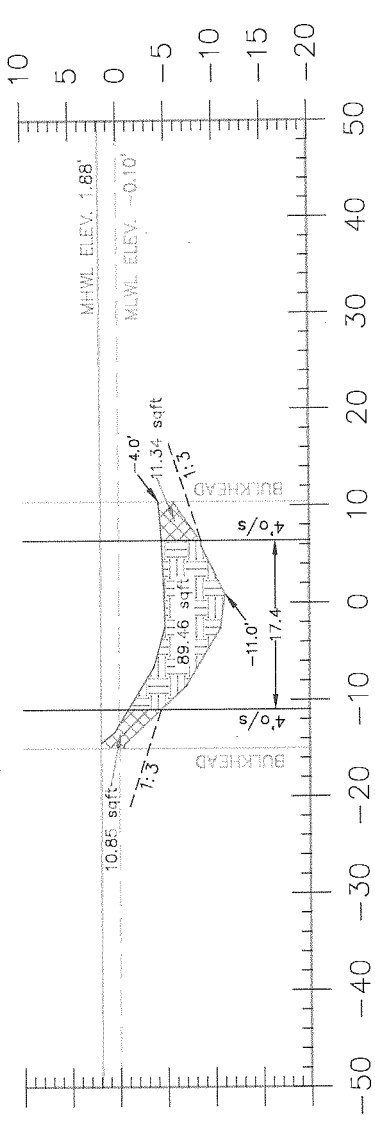
JUL 19 2011

MIAMI REGIONAL OFFICE

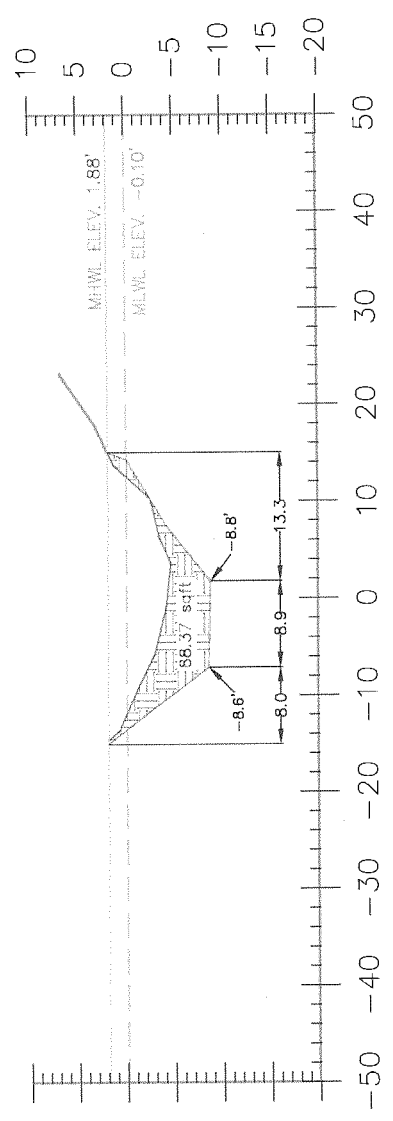
COE # 2004-06642  
PROJECT MANAGER: ASG

94 of 60

ELEVATION IN FEET NGVD29

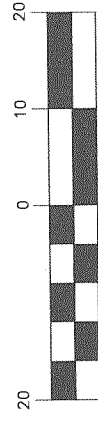


49+50.00



48+00.00

GRAPHIC SCALE



( IN FEET )  
1 inch = 20 ft.

LEGEND

- SEDIMENT TO BE REMOVED
- SLOUGHING VOLUME
- NATURAL SOIL/NON SEDIMENT
- NATURAL SOIL/SEDIMENT INTERFACE
- TOP OF SEDIMENT
- 1.88' MEAN HIGH WATER LINE
- 0.10' MEAN LOW WATER LINE
- NATIONAL GEODETIC VERTICAL ELEVATION OF 1929
- 1:3 SLOPE SLOUGHING LINE

NOTE: THE PROPOSED DREDGE CUT LINES AND GRADES SHOWN ON THESE CROSS-SECTIONS ARE TO BE FIELD VERIFIED IN ORDER TO REMOVE THE MAXIMUM EXTENT OF SEDIMENT POSSIBLE WITHOUT COMPROMISING STRUCTURES LOCATED ADJACENT TO OR WITHIN THE DESIGNATED WORK AREA.

OPERATIONAL SECTION 5 SHEET 21 OF 37

ARC SURVEYING & MAPPING, INC.

5202 SAN JUAN AVENUE,  
JACKSONVILLE, FLORIDA 32210  
PHONE: 904/384-8377  
LICENSED BUSINESS NO. 6487



DADE COUNTY, FLORIDA  
WAGNER CREEK &  
SEYBOLD CANAL  
MIAMI, FLORIDA

JKM 11-14-08 08-08/08-09 07-10-07  
A-08-29

US ARMY  
CORPS OF ENGINEERS

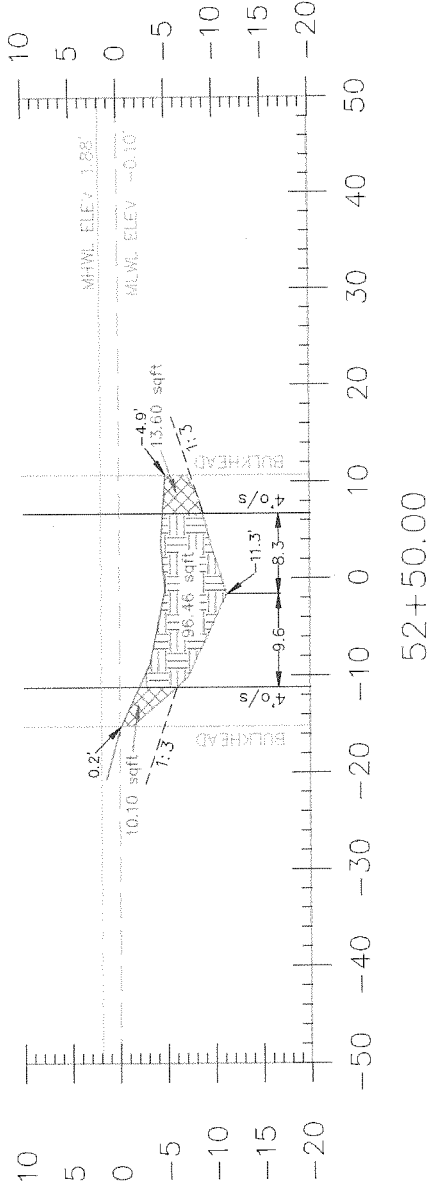
JUL 10 2011

11/11/11 10:00 AM

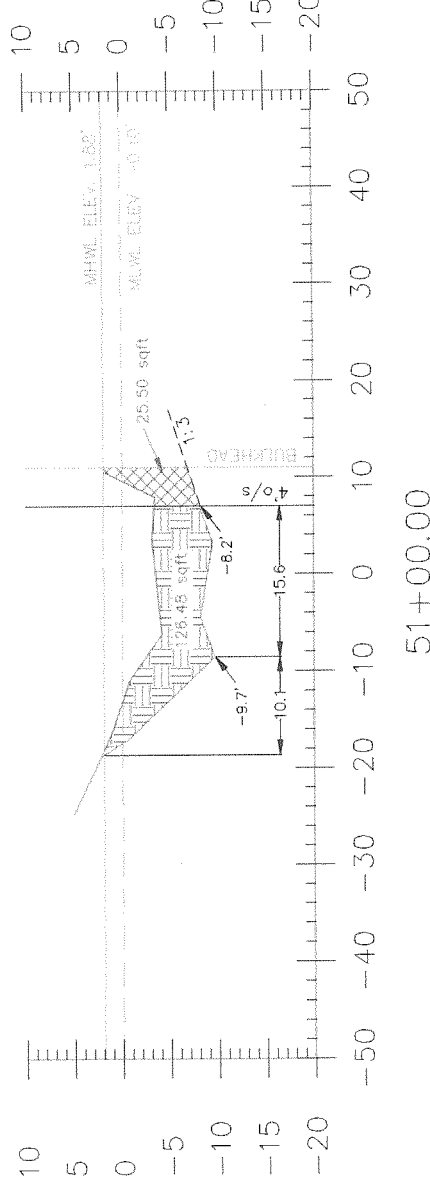
DATE: 20040604  
PROJECT NUMBER: AG

45 of 60

ELEVATION IN FEET NGVD29



ELEVATION IN FEET NGVD29



GRAPHIC SCALE



( IN FEET )  
1 inch = 20 ft.

LEGEND

- SEDIMENT TO BE REMOVED
- SLOUGHING VOLUME
- NATURAL SOIL/NON SEDIMENT
- NATURAL SOIL/SEDIMENT INTERFACE
- TOP OF SEDIMENT
- 1.88' MEAN HIGH WATER LINE
- -0.10' MEAN LOW WATER LINE
- NATIONAL GEODETIC VERTICAL ELEVATION OF 1929
- 1:3 SLOPE SLOUGHING LINE

NOTE: THE PROPOSED DREDGE CUT LINES AND GRADES SHOWN ON THESE CROSS-SECTIONS ARE TO BE FIELD VERIFIED IN ORDER TO REMOVE THE MAXIMUM EXTENT OF SEDIMENT POSSIBLE WITHOUT COMPROMISING STRUCTURES LOCATED ADJACENT TO OR WITHIN THE DESIGNATED WORK AREA.

OPERATIONAL SECTION 5 SHEET 22 OF 37

ARC SURVEYING & MAPPING, INC.

5202 SAN JUAN AVENUE  
JACKSONVILLE, FLORIDA 32210  
PHONE: 904/384-8377  
LICENSED BUSINESS NO. 6487



DRAWN BY: JKM  
DATE: 11-14-08  
FIELD BOOK & PAGE: 08-08/08-09  
JOB NO.: 07-10-07

DADE COUNTY, FLORIDA  
WAGNER CREEK &  
SEYBOLD CANAL  
MIAMI, FLORIDA



CH2MHILL

US ARMY  
CORPS OF ENGINEERS

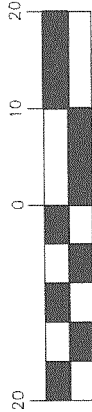
JUL 10 2011

Hydrographic Unit

DATE: 2004-06-12  
PROJECT NUMBER: A6

46 of 60

GRAPHIC SCALE



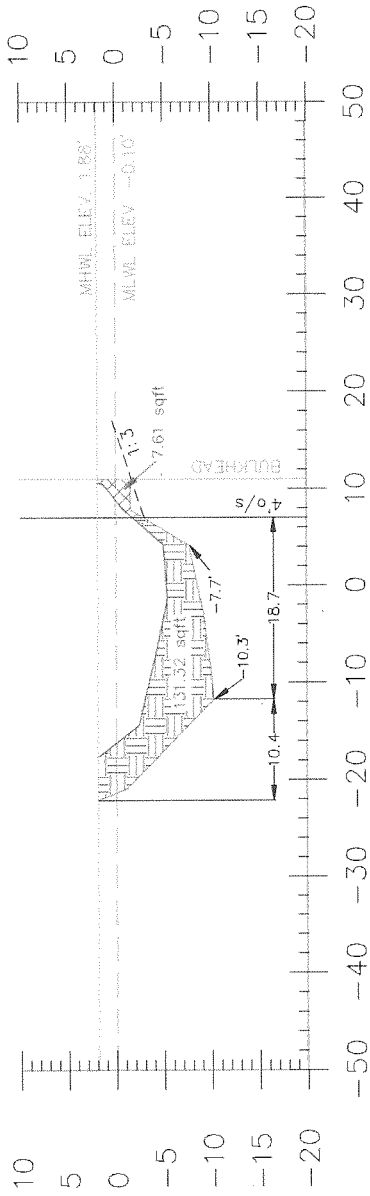
( IN FEET )  
1 inch = 20 ft.

LEGEND

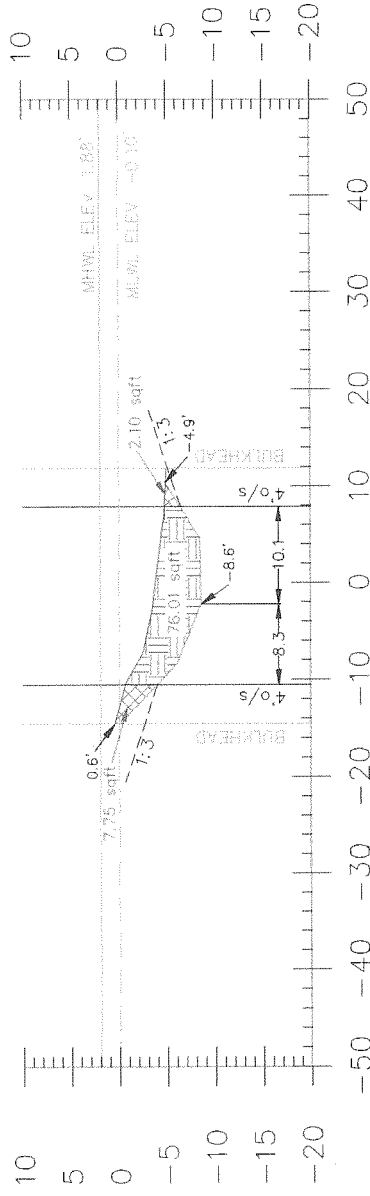
- [Hatched Box] = SEDIMENT TO BE REMOVED
- [Cross-hatched Box] = SLOUGHING VOLUME
- [Dotted Box] = NATURAL SOIL/NON SEDIMENT
- [Horizontal Lines] = NATURAL SOIL/SEDIMENT INTERFACE
- [Vertical Line] = TOP OF SEDIMENT
- [Dashed Line] = 1.88' MEAN HIGH WATER LINE
- [Dotted Line] = -0.10' MEAN LOW WATER LINE
- [Horizontal Line] = NATIONAL GEODETIC VERTICAL ELEVATION OF 1929
- [Vertical Line] = 1:3 SLOPE SLOUGHING LINE

NOTE: THE PROPOSED DREDGE CUT LINES AND GRADES SHOWN ON THESE CROSS-SECTIONS ARE TO BE FIELD VERIFIED IN ORDER TO REMOVE THE MAXIMUM EXTENT OF SEDIMENT POSSIBLE WITHOUT COMPROMISING STRUCTURES LOCATED ADJACENT TO OR WITHIN THE DESIGNATED WORK AREA.

ELEVATION IN FEET NGVD29



54+00.00



52+87.57

OPERATIONAL SECTION 5 SHEET 23 OF 37

ARC SURVEYING & MAPPING, INC.

5202 SAN JUAN AVENUE,  
JACKSONVILLE, FLORIDA 32210  
PHONE: 904/384-8377  
LICENSED BUSINESS NO. 6487



CH2MHILL  
DRAWN BY: JKM DATE: 11-14-08 FIELD BOOK & PAGE: 08-08/08-09 JOB NO.: 07-10-07

DADE COUNTY, FLORIDA  
WAGNER CREEK &  
SEYBOLD CANAL  
MIAMI, FLORIDA

US ARMY  
CORPS OF ENGINEERS

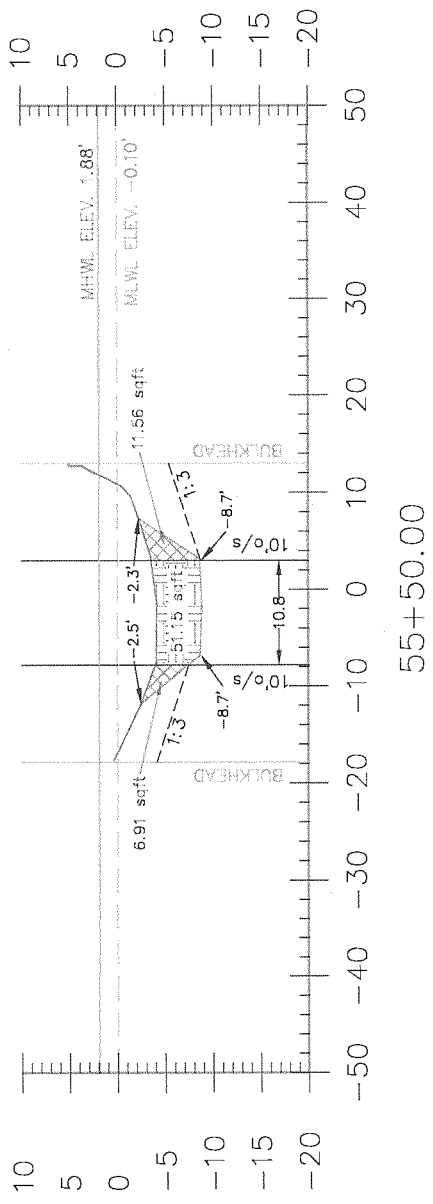
JUL 10 2001

WATERWAYS DIVISION

DATE: 20040604  
PROJECT: WAGNER CREEK

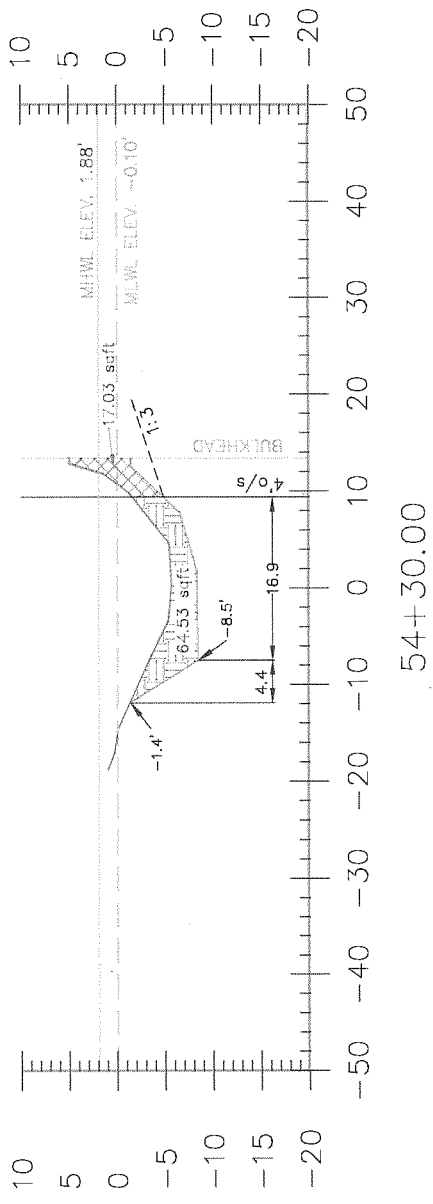
47 of 60

ELEVATION IN FEET NGVD29

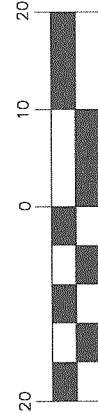


END WAGNER CREEK

ELEVATION IN FEET NGVD29



GRAPHIC SCALE



( IN FEET )  
1 inch = 20 ft.

LEGEND

- SEDIMENT TO BE REMOVED
- SLOUGHING VOLUME
- NATURAL SOIL/NON SEDIMENT
- NATURAL SOIL/SEDIMENT INTERFACE
- TOP OF SEDIMENT
- 1.88' MEAN HIGH WATER LINE
- 0.10' MEAN LOW WATER LINE
- NATIONAL GEODETIC VERTICAL ELEVATION OF 1929
- 1:3
- 1:3 SLOPE SLOUGHING LINE

NOTE: THE PROPOSED DREDGE CUT LINES AND GRADES SHOWN ON THESE CROSS-SECTIONS ARE TO BE FIELD VERIFIED IN ORDER TO REMOVE THE MAXIMUM EXTENT OF SEDIMENT POSSIBLE WITHOUT COMPROMISING STRUCTURES LOCATED ADJACENT TO OR WITHIN THE DESIGNATED WORK AREA.

DADE COUNTY, FLORIDA  
WAGNER CREEK &  
SEYBOLD CANAL  
MIAMI, FLORIDA



ARC SURVEYING & MAPPING, INC.  
5202 SAN JUAN AVENUE,  
JACKSONVILLE, FLORIDA 32210  
PHONE: 904/384-8377  
LICENSED BUSINESS NO. 6487

OPERATIONAL SECTION 5 SHEET 24 OF 37

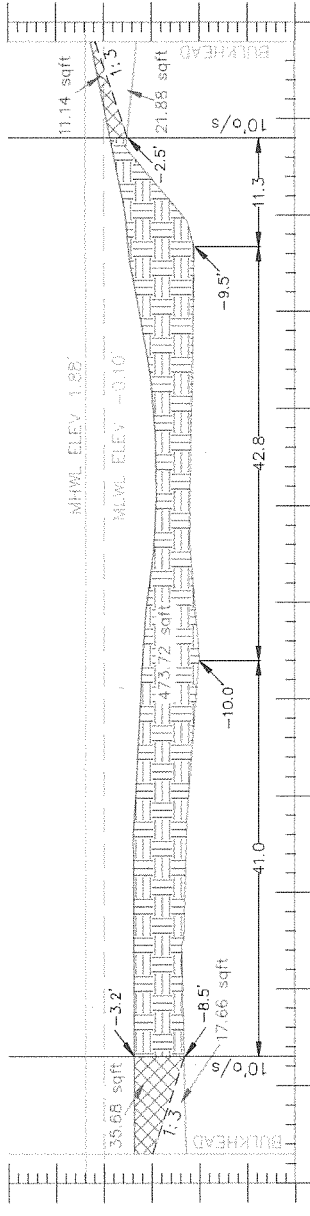
JKM 11-14-08 08-08/08-09 07-10-07  
A-08-29



ELEVATION IN FEET NGVD29

10  
5  
0  
-5  
-10  
-15  
-20

10  
5  
0  
-5  
-10  
-15  
-20



59+55.84

US ARMY  
CORPS OF ENGINEERS

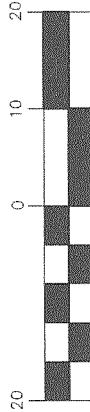
JUL 10 2011

PROJECT NUMBER

DATE: 2001-06-04  
PROJECT NUMBER: AB

4B of 60

### GRAPHIC SCALE



( IN FEET )  
1 inch = 20 ft.

### LEGEND

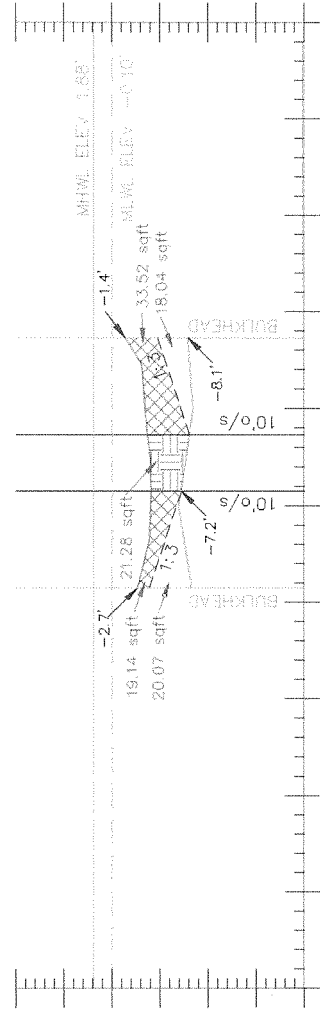
- █ SEDIMENT TO BE REMOVED
- ▨ SLOUGHING VOLUME
- NATURAL SOIL/NON SEDIMENT
- NATURAL SOIL/SEDIMENT INTERFACE
- TOP OF SEDIMENT
- 1.88' MEAN HIGH WATER LINE
- -0.10' MEAN LOW WATER LINE
- NATIONAL GEODETIC VERTICAL ELEVATION OF 1929
- 1:3 SLOPE SLOUGHING LINE

NOTE: THE PROPOSED DREDGE CUT LINES AND GRADES SHOWN ON THESE CROSS-SECTIONS ARE TO BE FIELD VERIFIED IN ORDER TO REMOVE THE MAXIMUM EXTENT OF SEDIMENT POSSIBLE WITHOUT COMPROMISING STRUCTURES LOCATED ADJACENT TO OR WITHIN THE DESIGNATED WORK AREA.

ELEVATION IN FEET NGVD29

10  
5  
0  
-5  
-10  
-15  
-20

10  
5  
0  
-5  
-10  
-15  
-20



57+93.39

### BEGIN SEYBOLD CANAL

OPERATIONAL SECTION 6 SHEET 25 OF 37

DADE COUNTY, FLORIDA  
WAGNER CREEK &  
SEYBOLD CANAL  
MIAMI, FLORIDA



CH2MHILL

ARC SURVEYING & MAPPING, INC.

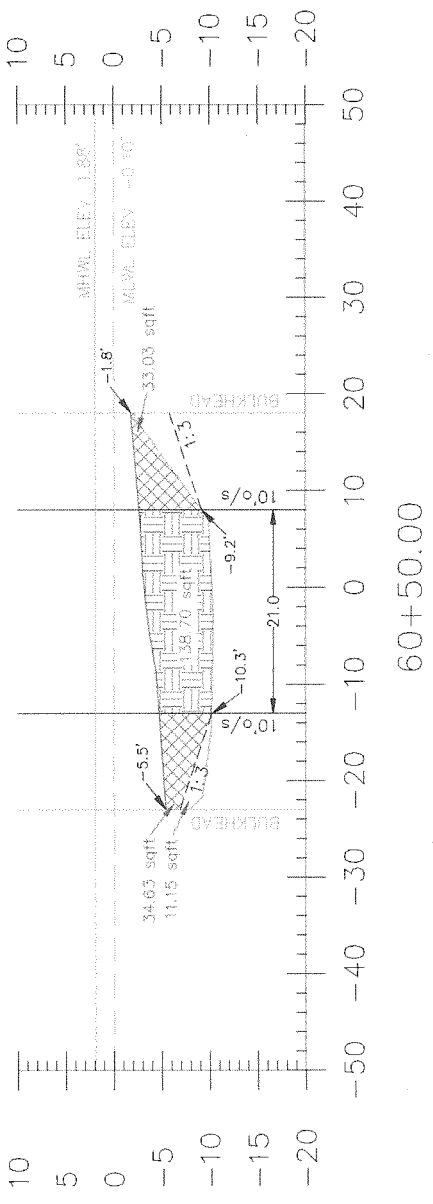
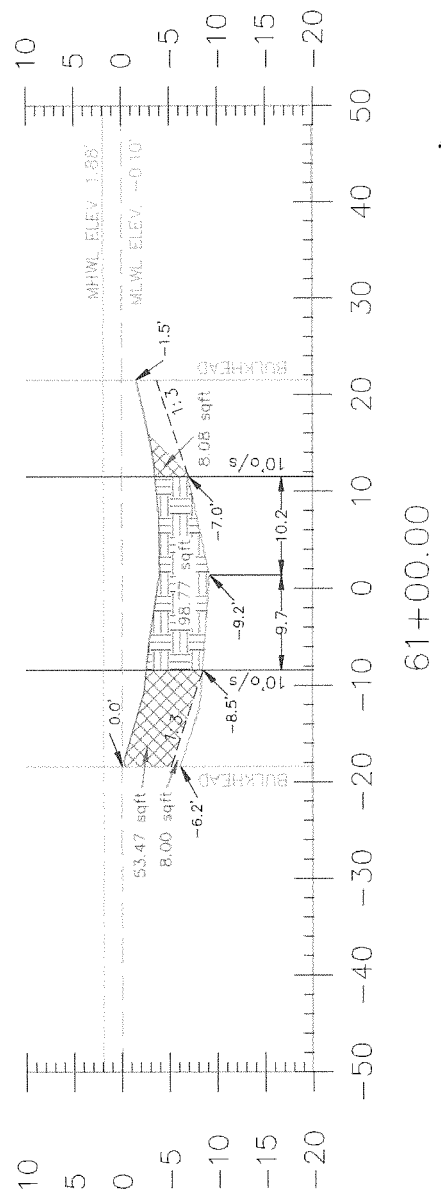
5202 SAN JUAN AVENUE,  
JACKSONVILLE, FLORIDA 32210  
PHONE: 904/384-8377  
LICENSED BUSINESS NO. 6487

DRAWN BY: JKM DATE: 11-14-08 FIELD BOOK & PAGE JOB NO.  
08-08/08-09 07-10-07

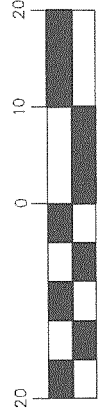
US ARMY  
 CORPUS OF ENGINEERS  
 JUL 10 2011  
 MIAMI DISTRICT OFFICE  
 CASE NO. 2004-066412  
 PROJECT MANAGER AB

49 of 60

ELEVATION IN FEET NGVD29



GRAPHIC SCALE



( IN FEET )  
 1 inch = 20 ft.

LEGEND

- = [Pattern] SEDIMENT TO BE REMOVED
- = [Pattern] SLOUGHING VOLUME
- = [Pattern] NATURAL SOIL/NON SEDIMENT
- = [Pattern] NATURAL SOIL/SEDIMENT INTERFACE
- = [Pattern] TOP OF SEDIMENT
- = [Pattern] 1.88' MEAN HIGH WATER LINE
- = [Pattern] -0.10' MEAN LOW WATER LINE
- = [Pattern] NATIONAL GEODETIC VERTICAL ELEVATION OF 1929
- = [Pattern] 1:3 SLOPE SLOUGHING LINE

NOTE: THE PROPOSED DREDGE CUT LINES AND GRADES SHOWN ON THESE CROSS-SECTIONS ARE TO BE FIELD VERIFIED IN ORDER TO REMOVE THE MAXIMUM EXTENT OF SEDIMENT POSSIBLE WITHOUT COMPROMISING STRUCTURES LOCATED ADJACENT TO OR WITHIN THE DESIGNATED WORK AREA.

OPERATIONAL SECTION 6 SHEET 26 OF 37

**ARC SURVEYING & MAPPING, INC.**  
 5202 SAN JUAN AVENUE,  
 JACKSONVILLE, FLORIDA 32210  
 PHONE: 904/384-8377  
 LICENSED BUSINESS NO. 6487

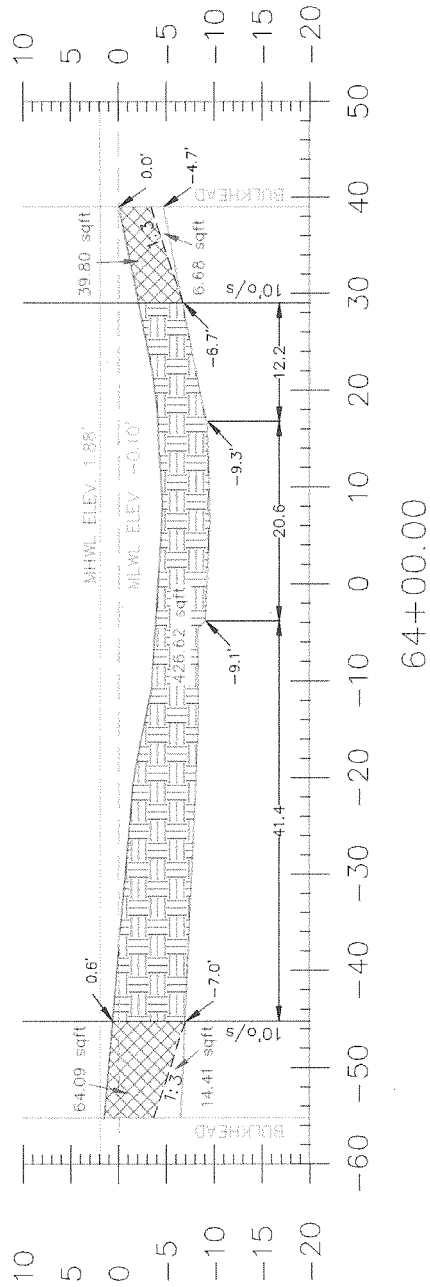
**CH2MHILL**

DADE COUNTY, FLORIDA  
 WAGNER CREEK &  
 SEYBOLD CANAL  
 MIAMI, FLORIDA

DRAWN BY: JKM DATE: 11-14-08 FIELD BOOK & PAGE: 08-08/08-09 JOB NO.: 07-10-07

A-08-29

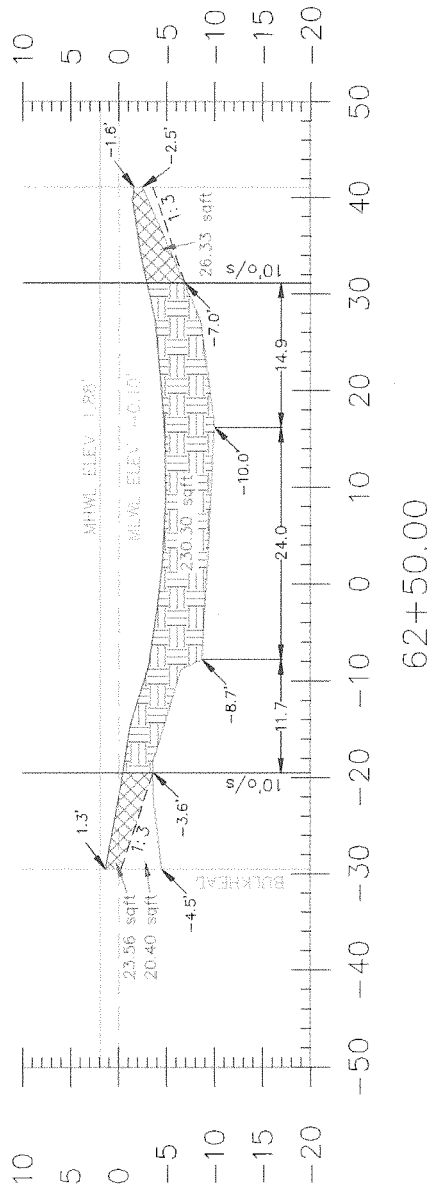
ELEVATION IN FEET NGVD29



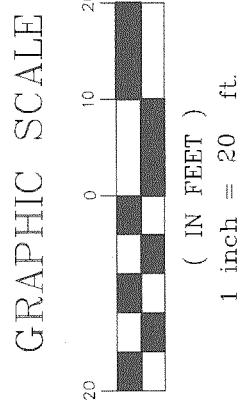
64+00.00

US ARMY  
CORPS OF ENGINEERS  
JUL 10 2011  
MAYNARD, MISSOURI, UNITED STATES  
CASE NO. 2004-06642  
PROJECT MANAGER Ab  
50 of 60

ELEVATION IN FEET NGVD29



62+50.00



LEGEND

- = SEDIMENT TO BE REMOVED
- = SLOUGHING VOLUME
- = NATURAL SOIL/NON SEDIMENT
- = NATURAL SOIL/SEDIMENT INTERFACE
- = TOP OF SEDIMENT
- = 1.88' MEAN HIGH WATER LINE
- = -0.10' MEAN LOW WATER LINE
- = NATIONAL GEODETIC VERTICAL ELEVATION OF 1929
- = 1:3 SLOPE SLOUGHING LINE

NOTE: THE PROPOSED DREDGE CUT LINES AND GRADES SHOWN ON THESE CROSS-SECTIONS ARE TO BE FIELD VERIFIED IN ORDER TO REMOVE THE MAXIMUM EXTENT OF SEDIMENT POSSIBLE WITHOUT COMPROMISING STRUCTURES LOCATED ADJACENT TO OR WITHIN THE DESIGNATED WORK AREA.

OPERATIONAL SECTION 6 SHEET 27 OF 37

**ARC SURVEYING & MAPPING, INC.**  
5202 SAN JUAN AVENUE,  
JACKSONVILLE, FLORIDA 32210  
PHONE: 904/384-8377  
LICENSED BUSINESS NO. 6487

**CH2MHILL**

DADE COUNTY, FLORIDA  
WAGNER CREEK &  
SEYBOLD CANAL  
MIAMI, FLORIDA

DRAWN BY: JKM DATE: 11-14-08 FIELD BOOK & PAGE JOB NO. 08-08/08-09 07-10-07

US ARMY  
CORPS OF ENGINEERS

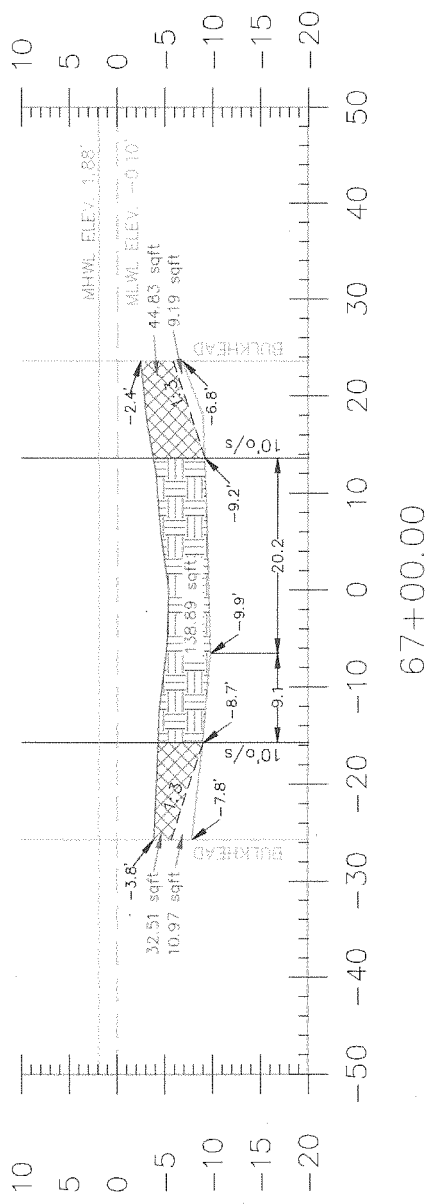
JUL 10 2011

MISSION OPERATIONAL UPLINE

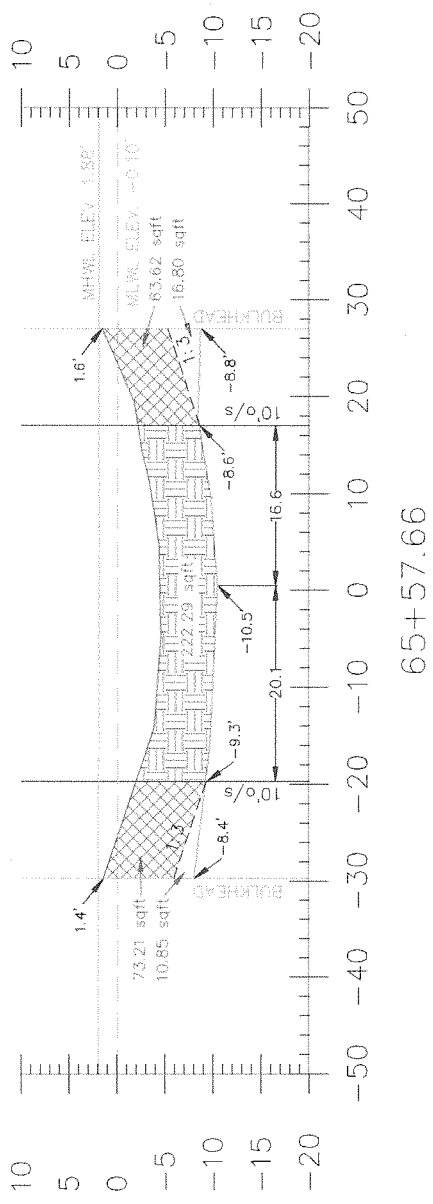
COE# 2004-066412  
PROJECT TRANSMISSION AB

SI of 66

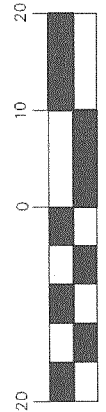
ELEVATION IN FEET NGVD29



ELEVATION IN FEET NGVD29



GRAPHIC SCALE



LEGEND

- SEDIMENT TO BE REMOVED
- SLOUGHING VOLUME
- NATURAL SOIL/NON SEDIMENT
- NATURAL SOIL/SEDIMENT INTERFACE
- TOP OF SEDIMENT
- 1.88' MEAN HIGH WATER LINE
- -0.10' MEAN LOW WATER LINE
- NATIONAL GEODETIC VERTICAL ELEVATION OF 1929
- 1:3 SLOPE SLOUGHING LINE

NOTE: THE PROPOSED DREDGE CUT LINES AND GRADES SHOWN ON THESE CROSS-SECTIONS ARE TO BE FIELD VERIFIED IN ORDER TO REMOVE THE MAXIMUM EXTENT OF SEDIMENT POSSIBLE WITHOUT COMPROMISING STRUCTURES LOCATED ADJACENT TO OR WITHIN THE DESIGNATED WORK AREA.

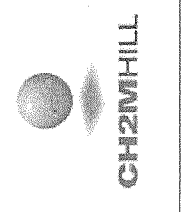
OPERATIONAL SECTION 6 SHEET 28 OF 37

ARC SURVEYING & MAPPING, INC.

5202 SAN JUAN AVENUE,  
JACKSONVILLE, FLORIDA 32210  
PHONE: 904/384-8377  
LICENSED BUSINESS NO. 6487

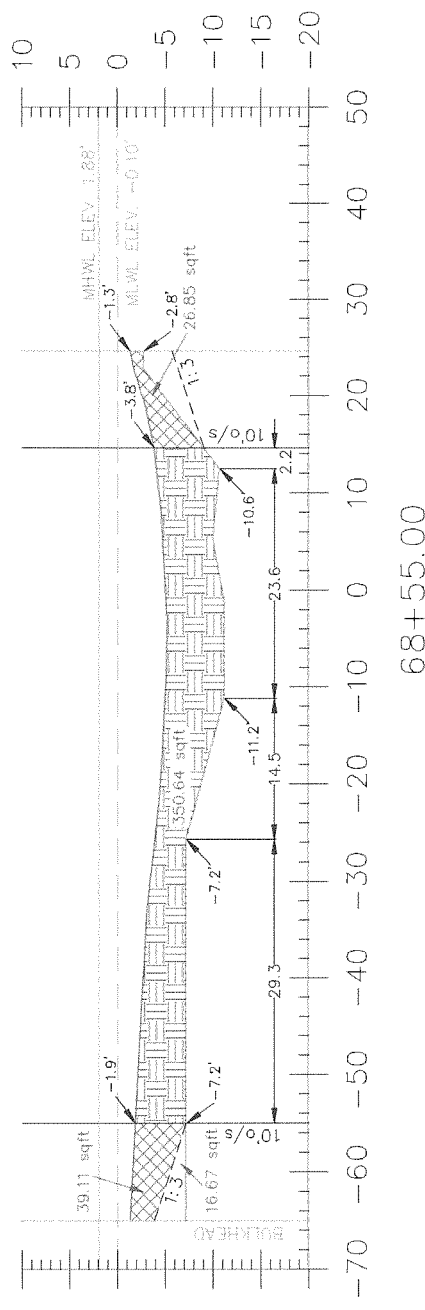


DRAWN BY: JKM DATE: 11-14-08 FIELD BOOK & PAGE: 08-08/08-09 JOB NO. 07-10-07



DADP COUNTY, FLORIDA  
WAGNER CREEK &  
SEYBOLD CANAL  
MIAMI, FLORIDA

US ARMY  
CORPORATE ENGINEERS  
JUL 10 2011  
OPERATIONAL SECTION 6  
ONE # 2004-06642  
AG  
52 of 60



68+55.00

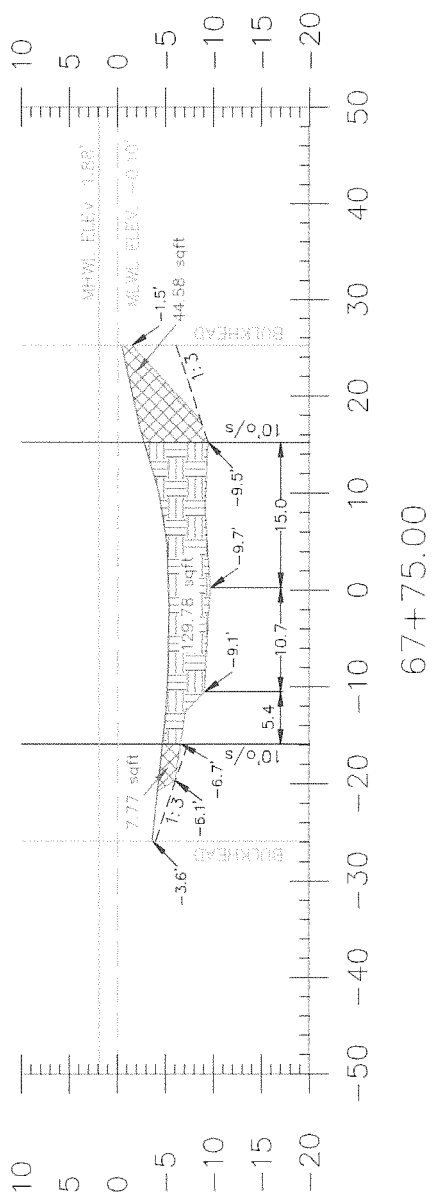
GRAPHIC SCALE  
( IN FEET )  
1 inch = 20 ft.



LEGEND

- = SEDIMENT TO BE REMOVED
- = SLOUGHING VOLUME
- = NATURAL SOIL/NON SEDIMENT
- = NATURAL SOIL/SEDIMENT INTERFACE
- = TOP OF SEDIMENT
- = 1.88' MEAN HIGH WATER LINE
- = -0.10' MEAN LOW WATER LINE
- = NATIONAL GEODETIC VERTICAL ELEVATION OF 1929
- = 1:3 SLOPE SLOUGHING LINE

ELEVATION IN FEET NGVD29



67+75.00

OPERATIONAL SECTION 6 SHEET 28 OF 37

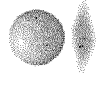
ARC SURVEYING & MAPPING, INC.

5202 SAN JUAN AVENUE,  
JACKSONVILLE, FLORIDA 32210  
PHONE: 904/384-8377  
LICENSED BUSINESS NO. 6487



DRAWN BY: JKM DATE: 11-14-08 FIELD BOOK & PAGE JOB NO. 08-08/08-09 07-10-07

DADE COUNTY, FLORIDA  
WAGNER CREEK &  
SEYBOLD CANAL  
MIAMI, FLORIDA



CH2MHILL

NOTE: THE PROPOSED DREDGE CUT LINES AND GRADES SHOWN ON THESE CROSS-SECTIONS ARE TO BE FIELD VERIFIED IN ORDER TO REMOVE THE MAXIMUM EXTENT OF SEDIMENT POSSIBLE WITHOUT COMPROMISING STRUCTURES LOCATED ADJACENT TO OR WITHIN THE DESIGNATED WORK AREA.

US ARMY  
CORPS OF ENGINEERS

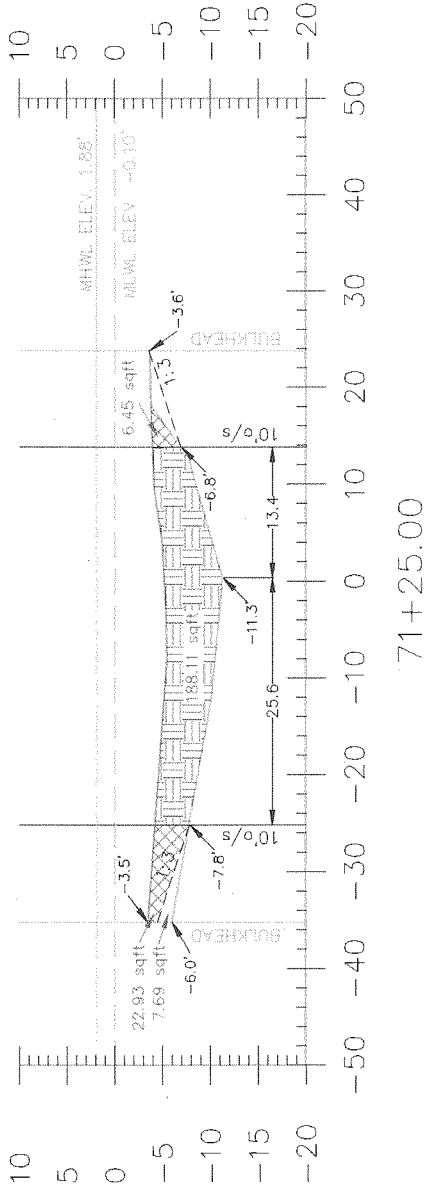
JUL 18 2011

HEADQUARTERS

PROJECT NUMBER: 2004-0664Z  
PROJECT NAME: Ab

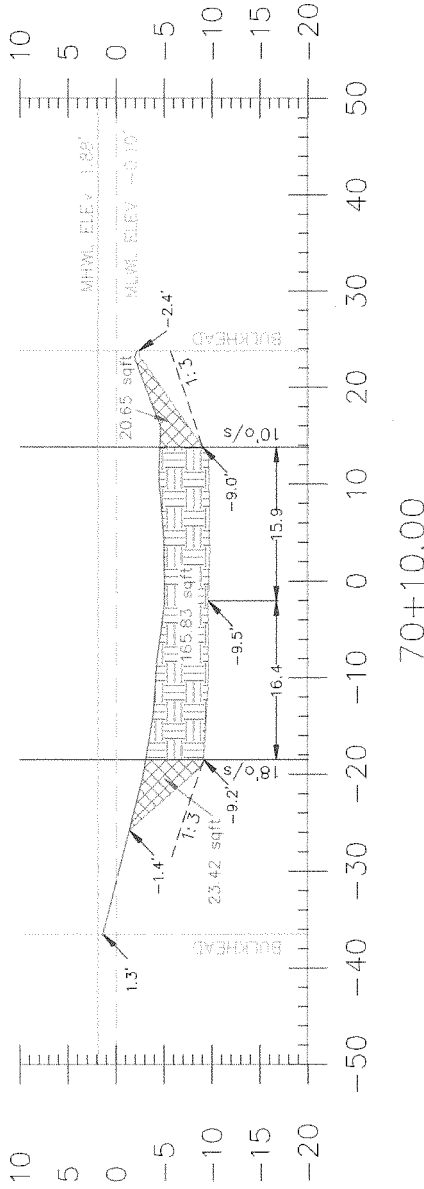
S3 of 60

ELEVATION IN FEET NGVD29



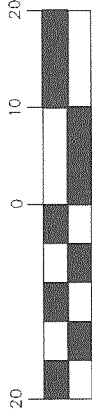
71+25.00

ELEVATION IN FEET NGVD29



70+10.00

GRAPHIC SCALE



( IN FEET )

1 inch = 20 ft.

LEGEND

- [Hatched pattern] = SEDIMENT TO BE REMOVED
- [Cross-hatched pattern] = SLOUGHING VOLUME
- [Dotted pattern] = NATURAL SOIL/NON SEDIMENT
- [Horizontal lines] = NATURAL SOIL/SEDIMENT INTERFACE
- [Vertical lines] = TOP OF SEDIMENT
- [Dashed line] = 1.88' MEAN HIGH WATER LINE
- [Dotted line] = -0.10' MEAN LOW WATER LINE
- [Solid line] = NATIONAL GEODETIC VERTICAL ELEVATION OF 1929
- [Dash-dot line] = 1:3 SLOPE SLOUGHING LINE

NOTE: THE PROPOSED DREDGE CUT LINES AND GRADES SHOWN ON THESE CROSS-SECTIONS ARE TO BE FIELD VERIFIED IN ORDER TO REMOVE THE MAXIMUM EXTENT OF SEDIMENT POSSIBLE WITHOUT COMPROMISING STRUCTURES LOCATED ADJACENT TO OR WITHIN THE DESIGNATED WORK AREA.

OPERATIONAL SECTION 6 SHEET 30 OF 37

ARC SURVEYING & MAPPING, INC.

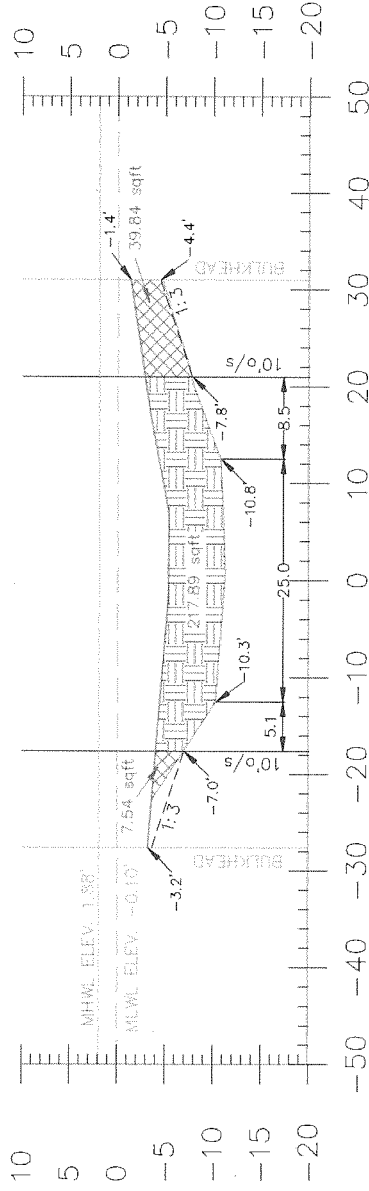
5202 SAN JUAN AVENUE,  
JACKSONVILLE, FLORIDA 32210  
PHONE: 904/384-8377  
LICENSED BUSINESS NO. 6487



DADE COUNTY, FLORIDA  
WAGNER CREEK &  
SEYBOLD CANAL  
MIAMI, FLORIDA

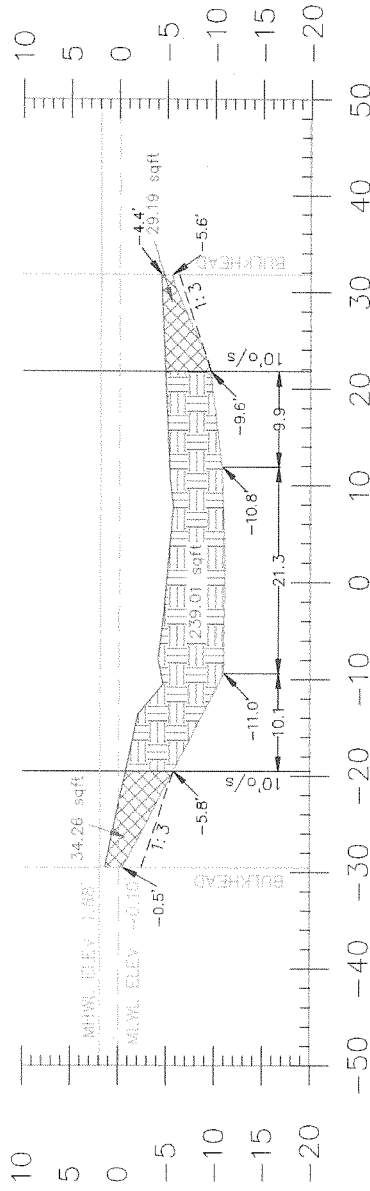
DRAWN BY: JKM DATE: 11-14-08 FIELD BOOK & PAGE: 08-08/08-09 JOB NO.: 07-10-07

ELEVATION IN FEET NGVD29



72+16.17

ELEVATION IN FEET NGVD29

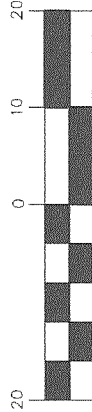


71+68.89

US ARMY  
 CORP OF ENGINEERS  
 JUL 19 2011  
 Elevation in Feet  
 2001-06642  
 AB

54 of 60

GRAPHIC SCALE



LEGEND

- = [Pattern] SEDIMENT TO BE REMOVED
- = [Pattern] SLOUGHING VOLUME
- = [Pattern] NATURAL SOIL/NON SEDIMENT
- = [Pattern] NATURAL SOIL/SEDIMENT INTERFACE
- = [Pattern] TOP OF SEDIMENT
- = [Pattern] 1.88' MEAN HIGH WATER LINE
- = [Pattern] -0.10' MEAN LOW WATER LINE
- = [Pattern] NATIONAL GEODETIC VERTICAL ELEVATION OF 1929
- = [Pattern] 1:3 SLOPE SLOUGHING LINE

NOTE: THE PROPOSED DREDGE CUT LINES AND GRADES SHOWN ON THESE CROSS-SECTIONS ARE TO BE FIELD VERIFIED IN ORDER TO REMOVE THE MAXIMUM EXTENT OF SEDIMENT POSSIBLE WITHOUT COMPROMISING STRUCTURES LOCATED ADJACENT TO OR WITHIN THE DESIGNATED WORK AREA.

OPERATIONAL SECTION 6 SHEET 31 OF 37

ARC SURVEYING & MAPPING, INC.

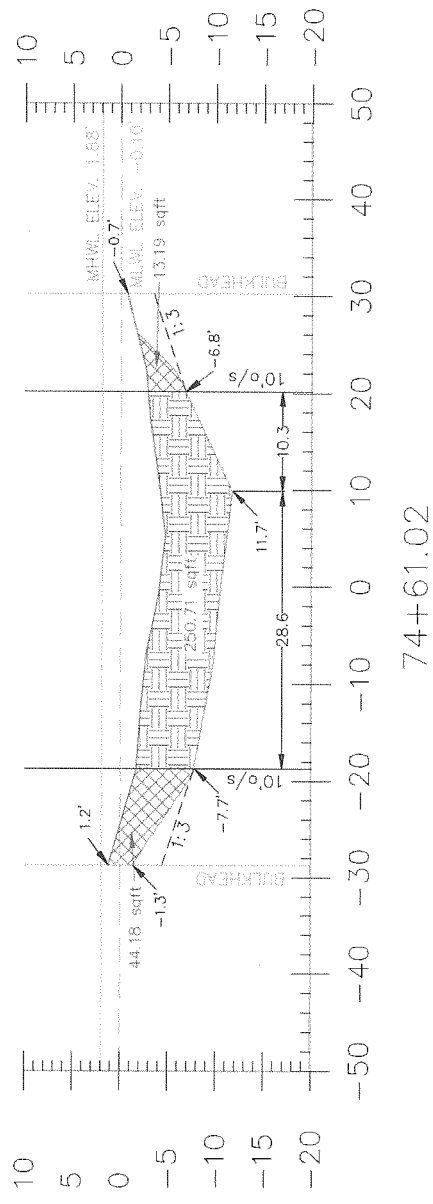
5202 SAN JUAN AVENUE,  
 JACKSONVILLE, FLORIDA 32210  
 PHONE: 904/384-8377  
 LICENSED BUSINESS NO. 6487



DADE COUNTY, FLORIDA  
 WAGNER CREEK &  
 SEYBOLD CANAL  
 MIAMI, FLORIDA

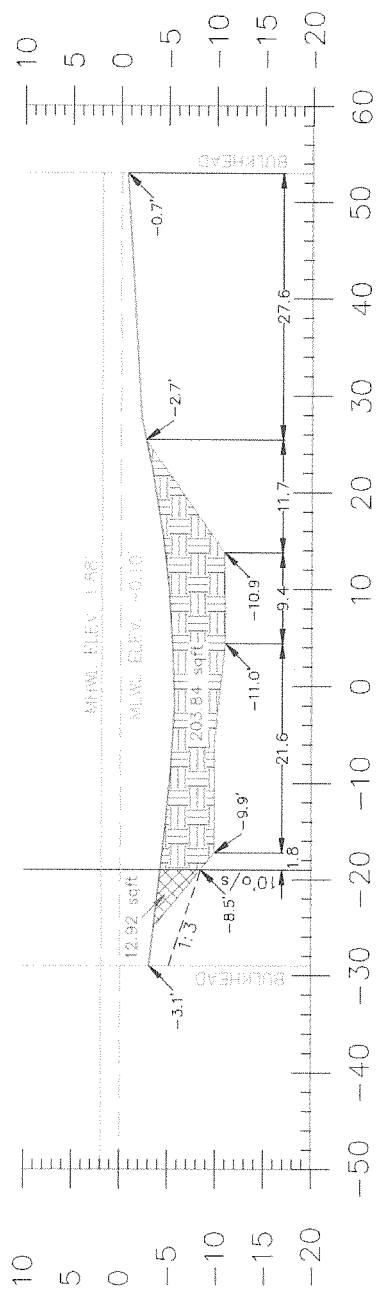
DRAWN BY: JKM DATE: 11-14-08 FIELD BOOK & PAGE 08-08/08-09 JOB NO. 07-10-07

ELEVATION IN FEET NGVD29



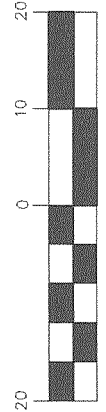
74+61.02

ELEVATION IN FEET NGVD29



73+00.00

GRAPHIC SCALE



( IN FEET )  
1 inch = 20 ft.

LEGEND

- = SEDIMENT TO BE REMOVED
- = SLOUGHING VOLUME
- = NATURAL SOIL/NON SEDIMENT
- = NATURAL SOIL/SEDIMENT INTERFACE
- = TOP OF SEDIMENT
- = 1.88' MEAN HIGH WATER LINE
- = -0.10' MEAN LOW WATER LINE
- = NATIONAL GEODETIC VERTICAL ELEVATION OF 1929
- = 1:3 SLOPE SLOUGHING LINE

NOTE: THE PROPOSED DREDGE CUT LINES AND GRADES SHOWN ON THESE CROSS-SECTIONS ARE TO BE FIELD VERIFIED IN ORDER TO REMOVE THE MAXIMUM EXTENT OF SEDIMENT POSSIBLE WITHOUT COMPROMISING STRUCTURES LOCATED ADJACENT TO OR WITHIN THE DESIGNATED WORK AREA.

US ARMY  
CORPORATION  
JUL 10 2011  
550460

OPERATIONAL SECTION 6 SHEET 32 OF 37

**ARC SURVEYING & MAPPING, INC.**  
5202 SAN JUAN AVENUE,  
JACKSONVILLE, FLORIDA 32210  
PHONE: 904/384-8377  
LICENSED BUSINESS NO. 6487

**CH2MHILL**

DADE COUNTY, FLORIDA  
WAGNER CREEK &  
SEYBOLD CANAL  
MIAMI, FLORIDA

DRAWN BY: JKM DATE: 11-14-08 FIELD BOOK & PAGE JOB NO. 07-10-07





US ARMY  
CORPS OF ENGINEERS

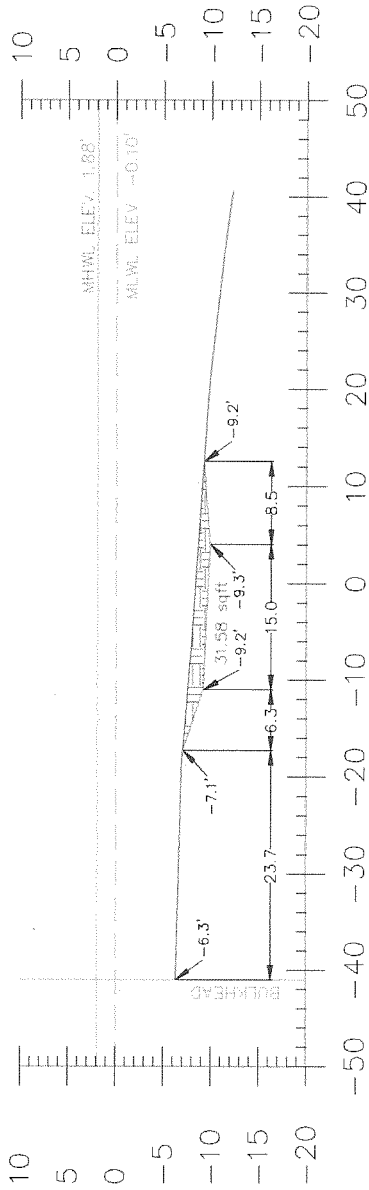
JUL 10 2011

PROJECT NUMBER

DATE: 2004-06-14  
PROJECT MANAGER: AG

57 of 60

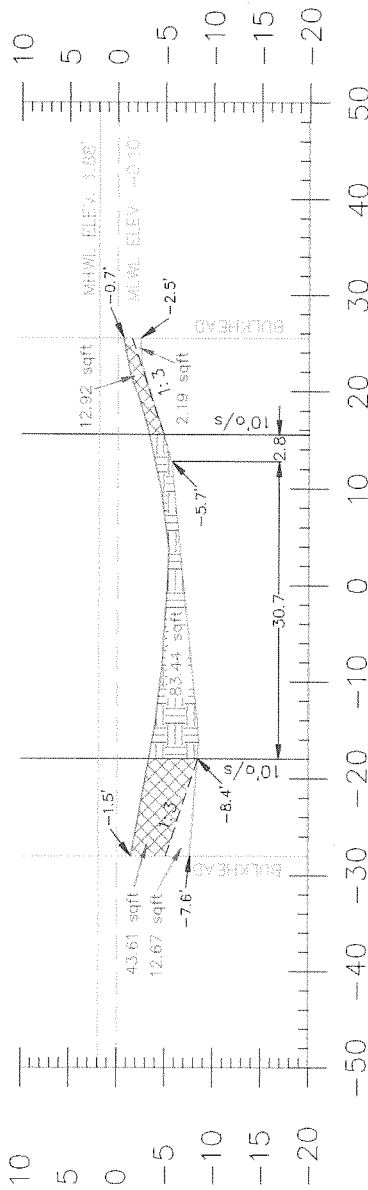
ELEVATION IN FEET NGVD29



80+50.19

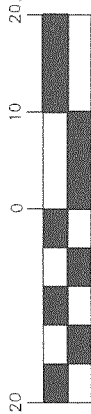
END SEYBOLD CANAL

ELEVATION IN FEET NGVD29



79+12.56

GRAPHIC SCALE



( IN FEET )

1 inch = 20 ft.

LEGEND

- [Pattern] = SEDIMENT TO BE REMOVED
- [Pattern] = SLOUGHING VOLUME
- [Pattern] = NATURAL SOIL/NON SEDIMENT
- [Pattern] = NATURAL SOIL/SEDIMENT INTERFACE
- [Pattern] = TOP OF SEDIMENT
- [Pattern] = 1.88' MEAN HIGH WATER LINE
- [Pattern] = -0.10' MEAN LOW WATER LINE
- [Pattern] = NATIONAL GEODETIC VERTICAL ELEVATION OF 1929
- [Pattern] = 1:3 SLOPE SLOUGHING LINE

NOTE: THE PROPOSED BREEGE CUT LINES AND GRADES SHOWN ON THESE CROSS-SECTIONS ARE TO BE FIELD VERIFIED IN ORDER TO REMOVE THE MAXIMUM EXTENT OF SEDIMENT POSSIBLE WITHOUT COMPROMISING STRUCTURES LOCATED ADJACENT TO OR WITHIN THE DESIGNATED WORK AREA.

OPERATIONAL SECTION 6 SHEET 34 OF 37

ARC SURVEYING & MAPPING, INC.

5202 SAN JUAN AVENUE,  
JACKSONVILLE, FLORIDA 32210  
PHONE: 904/384-8377  
LICENSED BUSINESS NO. 6487



CH2MHILL

DADE COUNTY, FLORIDA  
WAGNER CREEK &  
SEYBOLD CANAL  
MIAMI, FLORIDA

DRAWN BY: JKM DATE: 11-14-08 FIELD BOOK & PAGE JOB NO. 07-10-07

A-08-29

ELEVATION IN FEET NGVD 29

ELEVATION IN FEET NGVD29

US ARMY  
CORPORATE COMMUNITY

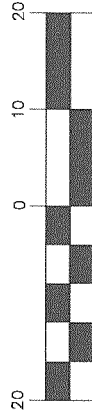
JUL 19 2011

PROJECT NUMBER: 2001-00642

DATE: 06/12/11  
DRAWN BY: AB

SHEET 58 of 60

GRAPHIC SCALE



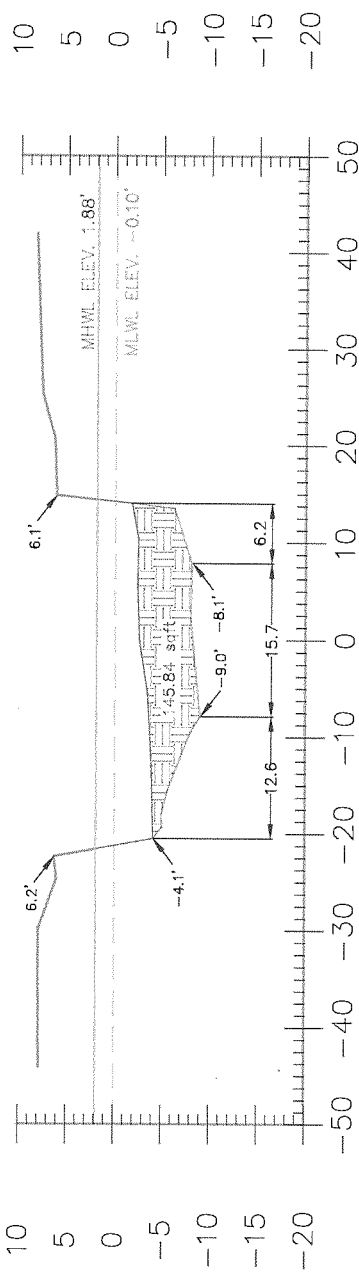
( IN FEET )

1 inch = 20 ft.

LEGEND

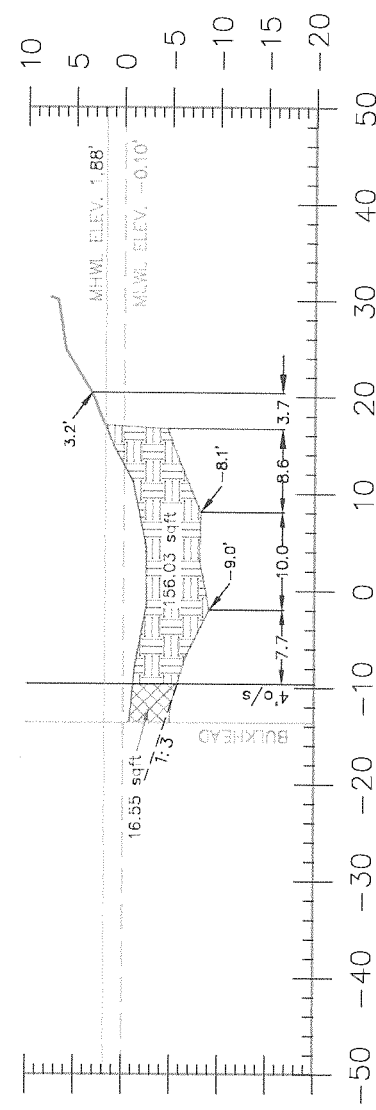
- [Hatched pattern] = SEDIMENT TO BE REMOVED
- [Cross-hatched pattern] = SLOUGHING VOLUME
- [Dotted pattern] = NATURAL SOIL/NON SEDIMENT
- [Horizontal lines] = NATURAL SOIL/SEDIMENT INTERFACE
- [Vertical lines] = TOP OF SEDIMENT
- [Dashed line] = 1.88' MEAN HIGH WATER LINE
- [Solid line] = -0.10' MEAN LOW WATER LINE
- [Dotted line] = NATIONAL GEODETIC VERTICAL ELEVATION OF 1929
- [Dash-dot line] = 1:3 SLOPE SLOUGHING LINE

NOTE: THE PROPOSED DREDGE CUT LINES AND GRADES SHOWN ON THESE CROSS-SECTIONS ARE TO BE FIELD VERIFIED IN ORDER TO REMOVE THE MAXIMUM EXTENT OF SEDIMENT POSSIBLE WITHOUT COMPROMISING STRUCTURES LOCATED ADJACENT TO OR WITHIN THE DESIGNATED WORK AREA.



BRIDGE PROFILE AT STATION 25+80  
BEGIN OPERATIONAL SECTION 3

NW 15TH STREET



BRIDGE PROFILE AT STATION 25+34.29  
END OPERATIONAL SECTION 2

NW 15TH STREET

BRIDGE PROFILES  
SHEET 35 OF 37

DADE COUNTY, FLORIDA  
WAGNER CREEK & SEYBOLD CANAL  
MIAMI, FLORIDA

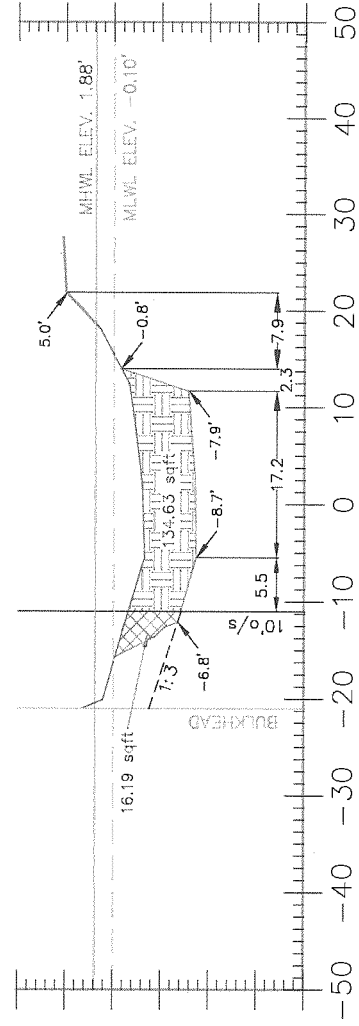
**CH2MHILL**

**ARC SURVEYING & MAPPING, INC.**  
5202 SAN JUAN AVENUE,  
JACKSONVILLE, FLORIDA 32210  
PHONE: 904/384-8377  
LICENSED BUSINESS NO. 6487

JKM 11-14-08 08-08/08-09 07-10-07

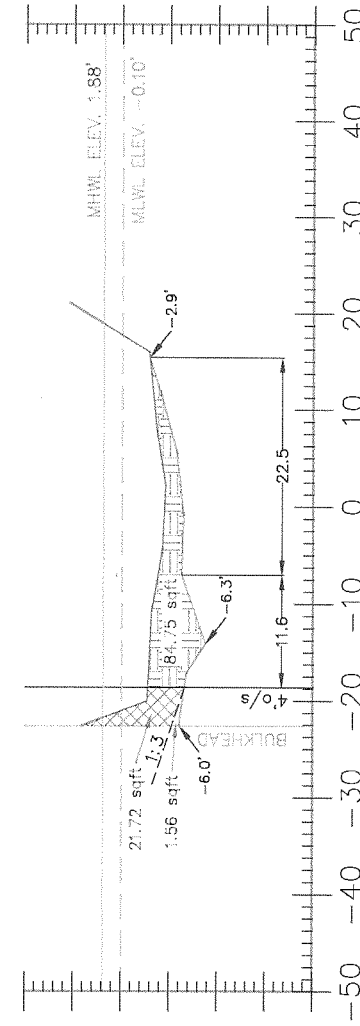
ELEVATION IN FEET NGVD 29

10  
5  
0  
-5  
-10  
-15  
-20



BRIDGE PROFILE AT STATION 43+55  
END OPERATIONAL SECTION 4

10  
5  
0  
-5  
-10  
-15  
-20



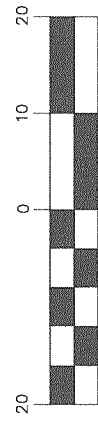
BRIDGE PROFILE AT STATION 37+80  
BEGIN OPERATIONAL SECTION 4

NW 14TH STREET

BRIDGE PROFILES

SHEET 36 OF 37

GRAPHIC SCALE



( IN FEET )  
1 inch = 20 ft.

LEGEND

- = [Pattern] SEDIMENT TO BE REMOVED
- = [Pattern] SLOUGHING VOLUME
- = [Pattern] NATURAL SOIL/NON SEDIMENT
- = [Pattern] NATURAL SOIL/SEDIMENT INTERFACE
- = [Pattern] TOP OF SEDIMENT
- = [Pattern] 1.88' MEAN HIGH WATER LINE
- = [Pattern] -0.10' MEAN LOW WATER LINE
- = [Pattern] NATIONAL GEODETIC VERTICAL ELEVATION OF 1929
- = [Pattern] 1:3 SLOPE SLOUGHING LINE

NOTE: THE PROPOSED DREDGE CUT LINES AND GRADES SHOWN ON THESE CROSS-SECTIONS ARE TO BE FIELD VERIFIED IN ORDER TO REMOVE THE MAXIMUM EXTENT OF SEDIMENT POSSIBLE WITHOUT COMPROMISING STRUCTURES LOCATED ADJACENT TO OR WITHIN THE DESIGNATED WORK AREA.

US ARMY  
CORPS OF ENGINEERS

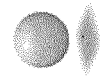
JUL 19 2011

BRIDGE PROFILES

DATE: 2008-06-04  
BY: [Signature]

59 of 60

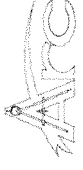
DADE COUNTY, FLORIDA  
WAGNER CREEK &  
SEYBOLD CANAL  
MIAMI, FLORIDA



CH2MHILL

ARC SURVEYING & MAPPING, INC.

5202 SAN JUAN AVENUE,  
JACKSONVILLE, FLORIDA 32210  
PHONE: 904/384-8377  
LICENSED BUSINESS NO. 6487



JKM 11-14-08 08-08/08-09 07-10-07

A-08-29

US ARMY  
CORPS OF ENGINEERS

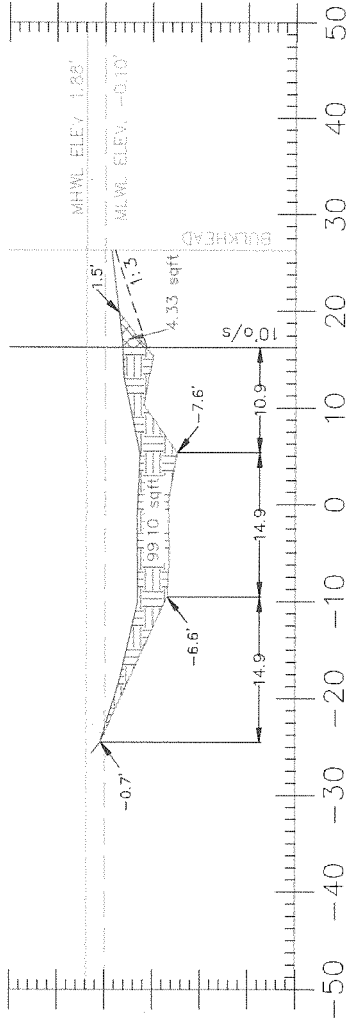
JUL 10 2011

66 of 60

66 of 60

ELEVATION IN FEET NGVD 29

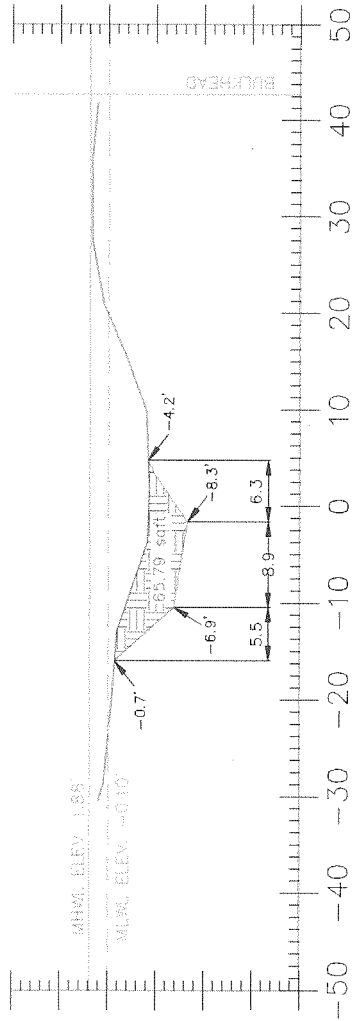
10  
5  
0  
-5  
-10  
-15  
-20



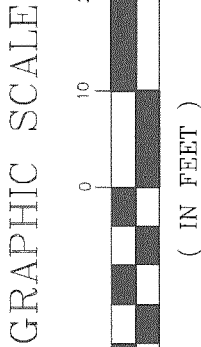
BRIDGE PROFILE AT STATION 56+70  
END OPERATIONAL SECTION 5  
NW 11TH STREET

ELEVATION IN FEET NGVD 29

10  
5  
0  
-5  
-10  
-15  
-20



BRIDGE PROFILE AT STATION 43+88  
BEGIN OPERATIONAL SECTION 5  
STATE ROAD 836



LEGEND:

- = SEDIMENT TO BE REMOVED
- = SLOUGHING VOLUME
- = NATURAL SOIL/NON SEDIMENT
- = NATURAL SOIL/SEDIMENT INTERFACE
- = TOP OF SEDIMENT
- = 1.88' MEAN HIGH WATER LINE
- = -0.10' MEAN LOW WATER LINE
- = NATIONAL GEODETIC VERTICAL ELEVATION OF 1929
- = 1:3 SLOPE SLOUGHING LINE

NOTE: THE PROPOSED DREDGE CUT LINES AND GRADES SHOWN ON THESE CROSS-SECTIONS ARE TO BE FIELD VERIFIED IN ORDER TO REMOVE THE MAXIMUM EXTENT OF SEDIMENT POSSIBLE WITHOUT COMPROMISING STRUCTURES LOCATED ADJACENT TO OR WITHIN THE DESIGNATED WORK AREA.

BRIDGE PROFILES

SHEET 37 OF 37

DADE COUNTY, FLORIDA  
WAGNER CREEK &  
SEYBOLD CANAL  
MIAMI, FLORIDA



CH2MHILL

ARC SURVEYING & MAPPING, INC.  
5202 SAN JUAN AVENUE,  
JACKSONVILLE, FLORIDA 32210  
PHONE: 904/384-8377  
LICENSED BUSINESS NO. 6487

DRAWN BY: JKM  
DATE: 11-14-08  
FIELD BOOK & PAGE: 08-08/08-09  
JOB NO.: 07-10-07

A-08-29