

Wayfinding & Signage System Program

Downtown Miami, FL



Downtown Miami Destination Arrival Program

DESTINATIONS

- Arts & Entertainment
- Central Business District
- Brickell

SUBDISTRICTS

- Flagler St Shopping
- Brickell Village

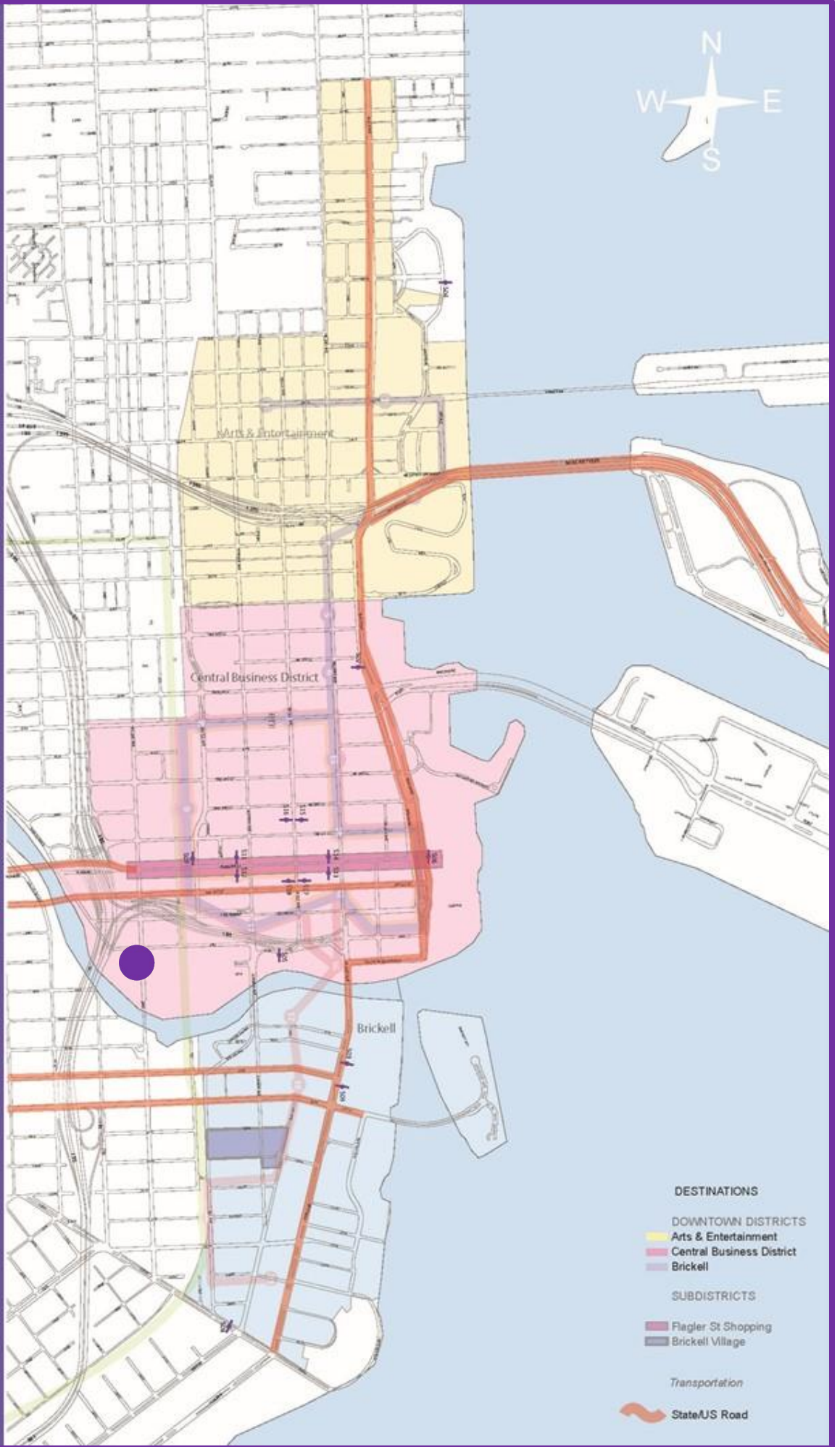
Transportation

- State/US Road

Sign No.
501



Downtown
Miami
Destination
Arrival Program



Wayfinding & Signage System Program

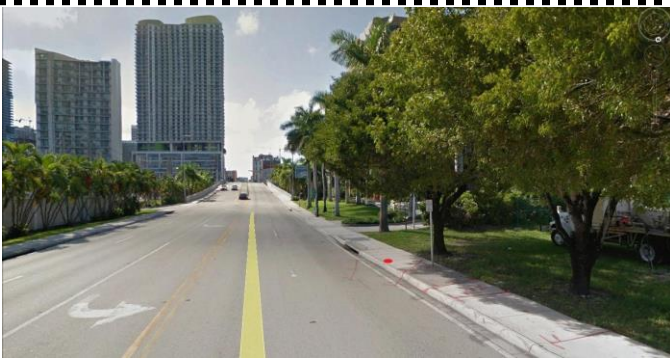
Downtown Miami, Florida

SIGN NO. 501

Location Aerial View:



Location Photo:



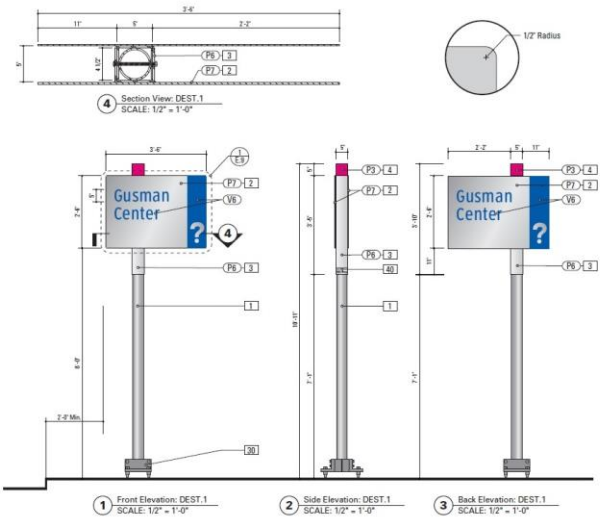
Reference Intersection: SW 2nd Ave @ SW 3rd St

Detailed Location: 6' north of storm drain

Orientation: NB

Right-of-Way Summary	Utilities Summary
Miami-Dade County	Fiber Optic Cable Water Main FPL Duct Bank Traffic Signal Cable

Sign Type: Dest.1

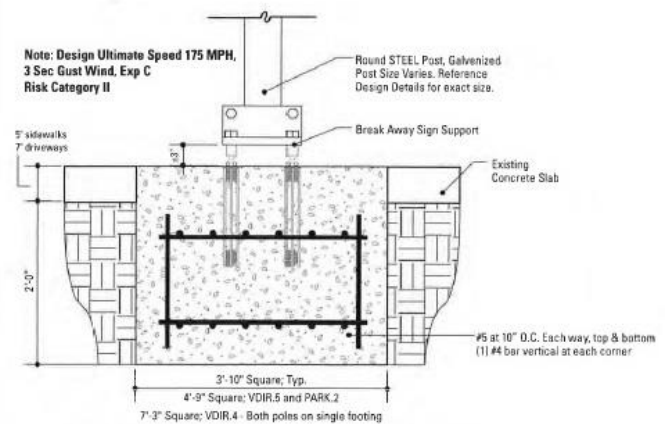


Sign Message:

Face A	City Administrative Building
Face B	City Administrative Building

Ground Condition: Concrete

Foundation Type: 2' X 3' 10" Square



SPECIFIC PURPOSE SURVEY PROPOSED POLE 501

SURVEYOR'S REPORT :

- THE SPECIFIC PURPOSE OF THIS SURVEY IS TO SHOW THE LOCATION OF THE PROPOSED POLE IN RELATION TO THE MONUMENT LINES AND RIGHT-OF-WAY LINES.
- THIS IS NOT A BOUNDARY SURVEY
- THE LOCATION OF THE PROPOSED POLE SHOWN HEREON WAS PROVIDED BY THE CLIENT.
- THERE ARE EXISTING IMPROVEMENTS LYING WITHIN THE LIMITS OF THE SKETCH, WHICH ARE NOT SHOWN ON THIS SURVEY.
- REVIEW OF TITLE SEARCH WAS NOT PART OF THE SCOPE OF SERVICES.
- RIGHT-OF-WAY LINES AND MAPPED (ZONED) STREET LINES ARE AS PER CITY OF MIAMI ATLAS SHEET AND MIAMI-DADE COUNTY PLATS OF RECORD.
- POLE 501 LIES WITHIN THE JURISDICTION OF MIAMI DADE COUNTY.
- INFORMATION REGARDING STREET JURISDICTION WAS TAKEN FROM MAP ENTITLED : DOWNTOWN MIAMI STREETS BY JURISDICTION PREPARED BY CITY OF MIAMI DATED SEPTEMBER 1, 2015 AND FURNISHED BY THE CLIENT.

SURVEYOR'S CERTIFICATION :

I HEREBY CERTIFY THAT THIS SPECIFIC PURPOSE SURVEY WAS PREPARED UNDER MY DIRECT SUPERVISION AND THAT IT IS TRUE AND CORRECT TO THE BEST OF MY KNOWLEDGE AND BELIEF AND I FURTHER CERTIFY THAT SAID SURVEY IS IN COMPLIANCE WITH THE STANDARDS OF PRACTICE AS SET FORTH BY THE FLORIDA BOARD OF LAND SURVEYORS AND MAPPERS IN CHAPTER 5J-17 FLORIDA ADMINISTRATIVE CODE PURSUANT TO SECTION 472.027 OF THE FLORIDA STATUTES.

 MANUEL G. VERA JR.
 PROFESSIONAL SURVEYOR AND MAPPER No. 5291
 STATE OF FLORIDA
 NOTICE: NOT VALID WITHOUT THE SIGNATURE AND ORIGINAL RAISED SEAL OF THE FLORIDA LICENSED SURVEYOR AND MAPPER.
 EACH SHEET AS INCORPORATED HEREIN SHALL NOT BE CONSIDERED FULL, VALID AND COMPLETE UNLESS ATTACHED TO THE OTHERS.

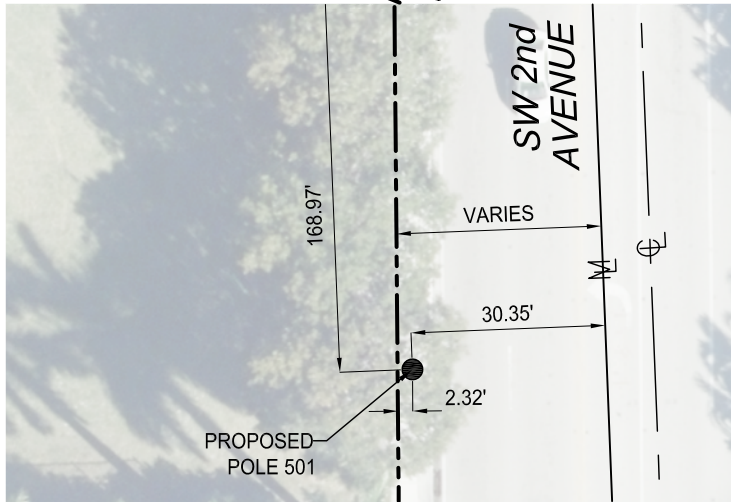
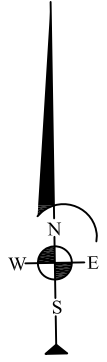
FOR SKETCH SEE SHEET 2

MANUEL G.VERA AND ASSOCIATES, INC.
 ENGINEERS-SURVEYORS & MAPPERS
 13960 S.W. 47th ST. MIAMI, FLORIDA 33175 L.B. No.2439
 PHONE: (305) 221-6210 e-mail: mverajr@mgvera.com

PROJECT NUMBER: 16-574		
TYPE OF PROJECT: SPECIFIC PURPOSE SURVEY		
PROJECT NAME: POLE LOCATION		
DATE: 08-11-2016	SCALE	SHEET
DRAWN BY: JCF	N.A.	1 OF 2

NOT A BOUNDARY SURVEY

SPECIFIC PURPOSE SURVEY PROPOSED POLE 501



LEGEND:

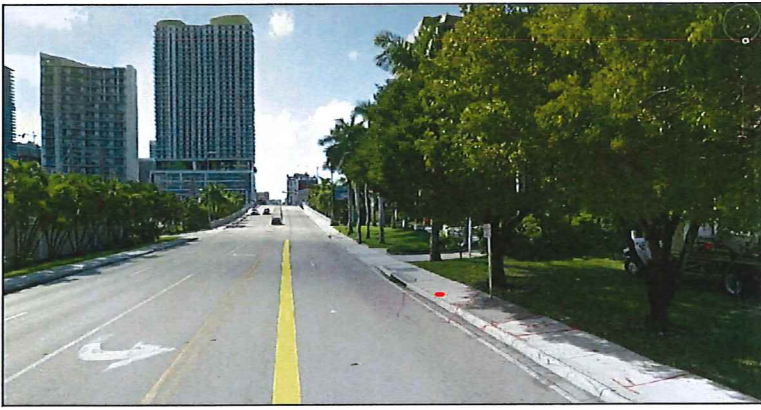
- EXISTING RIGHT OF WAY LINE
- EXISTING LIMITED ACCESS RIGHT OF WAY LINE
- - - MAPPED (ZONED) STREET LINE
- ⊕ CENTER LINE
- M MONUMENT LINE

Z:\DESIGN 2016\16574_OF_City of Miami_Pole Locations\ACAD SKETCH\16 574 POLE 501.dwg

NOT A BOUNDARY SURVEY

MANUEL G.VERA AND ASSOCIATES, INC.
 ENGINEERS-SURVEYORS & MAPPERS
 13960 S.W. 47th ST. MIAMI, FLORIDA 33175 L.B. No.2439
 PHONE: (305) 221-6210 e-mail: mverajr@mgvera.com

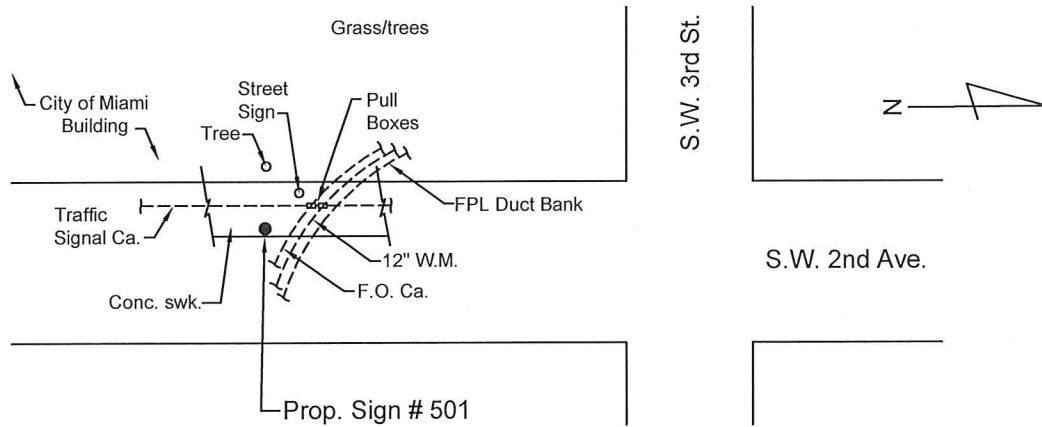
PROJECT NUMBER: 16-574		
TYPE OF PROJECT: SPECIFIC PURPOSE SURVEY		
PROJECT NAME: POLE LOCATION		
DATE: 08-11-2016	SCALE: 1"=30'	SHEET: 2 OF 2
DRAWN BY: JCF		



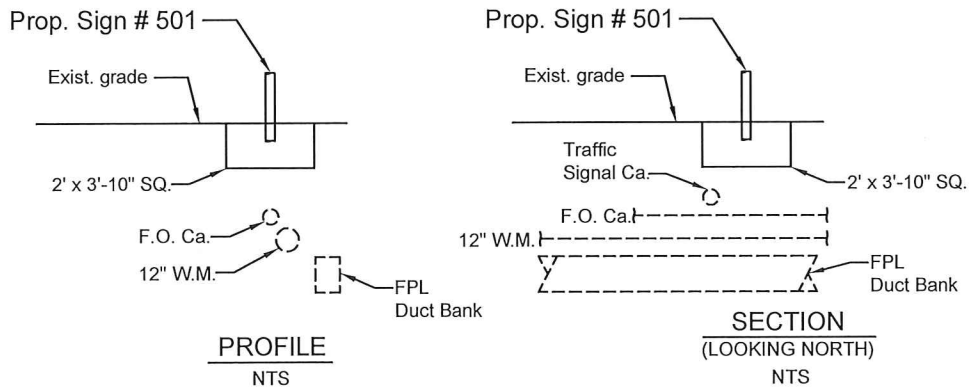
LOCATION DESCRIPTION:

SW 2nd Ave S/O SW 3rd St.

FOR EXACT SIGN POST LOCATION
PLEASE REFER TO ATTACHED
SPECIFIC PURPOSE SURVEY SKETCH



PLAN
NTS



PROFILE
NTS

SECTION
(LOOKING NORTH)
NTS

COMMENTS: Best Footer for Prop. Sign # 501 is: 2' x 3'-10" SQ.

MIAMI DDA - WAYFINDING AND SIGNAGE SYSTEM PROGRAM

DISCLAIMER:
This sketch has been prepared
for utility coordination purposes only.
This sketch is Not for Construction.

Utility coordination done by:
JRA Inc.
engineers-planners
10661 N Kendall Dr., Ste. 206B
Miami, FL 33176-1550
Phone 305-270-7800
CA 7613

MIAMI-DADE COUNTY

SIGN No. 501

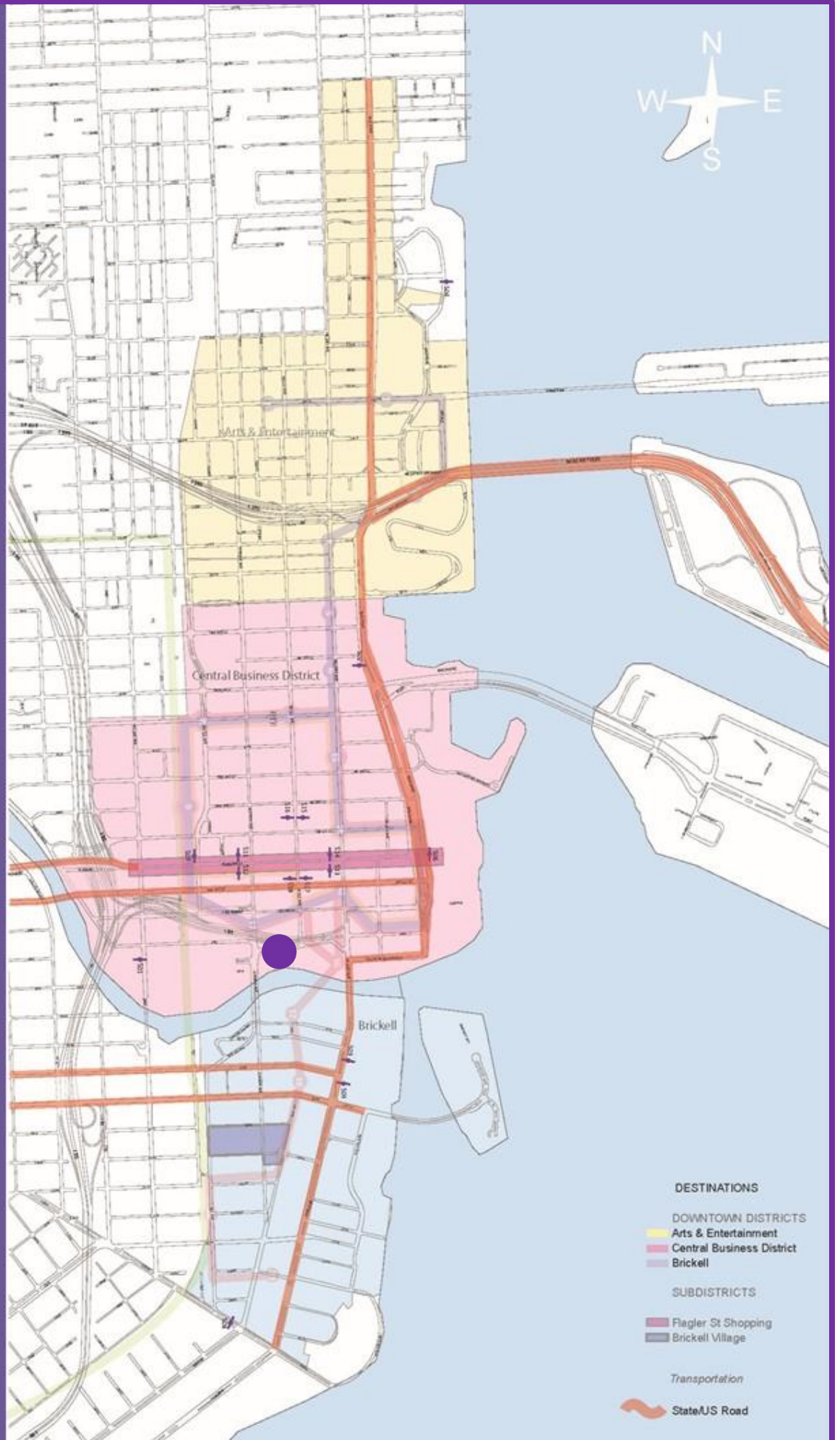
Type Dest.1

DATE: 04-10-2017

Sign No.
505



Downtown
Miami
Destination
Arrival Program



Wayfinding & Signage System Program

Downtown Miami, Florida

SIGN NO. 505

Location Aerial View:



Location Photo:



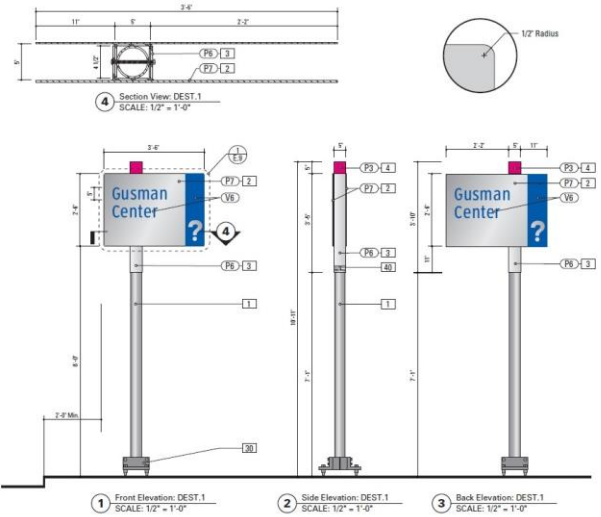
Reference Intersection: SE 4th St @ Riverwalk entrance walk

Detailed Location: 20' west of large red M.

Orientation: EB

Right-of-Way Summary	Utilities Summary
Miami-Dade County	AT&T PVC

Sign Type: Dest. 1

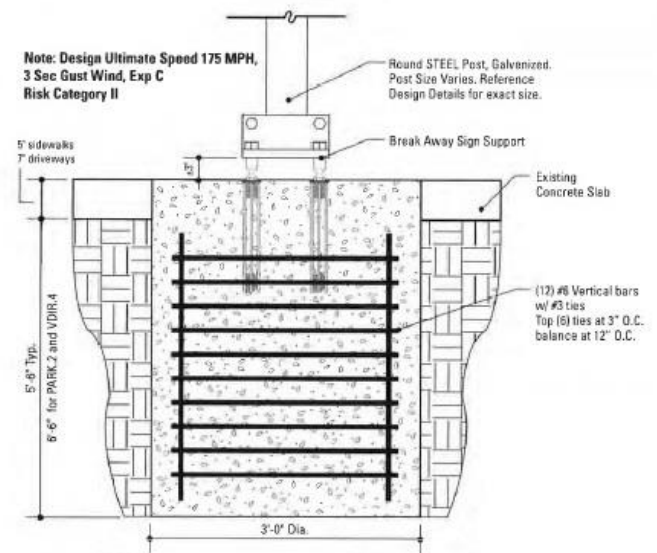


Sign Message:

Face A	Riverwalk
Face B	Riverwalk

Ground Condition: Concrete

Foundation Type: 5' 6" X 3' Diameter



SPECIFIC PURPOSE SURVEY PROPOSED POLE 505

SURVEYOR'S REPORT :

- THE SPECIFIC PURPOSE OF THIS SURVEY IS TO SHOW THE LOCATION OF THE PROPOSED POLE IN RELATION TO THE MONUMENT LINES AND RIGHT-OF-WAY LINES.
- THIS IS NOT A BOUNDARY SURVEY
- THE LOCATION OF THE PROPOSED POLE SHOWN HEREON WAS PROVIDED BY THE CLIENT.
- THERE ARE EXISTING IMPROVEMENTS LYING WITHIN THE LIMITS OF THE SKETCH, WHICH ARE NOT SHOWN ON THIS SURVEY.
- REVIEW OF TITLE SEARCH WAS NOT PART OF THE SCOPE OF SERVICES.
- RIGHT-OF-WAY LINES AND MAPPED (ZONED) STREET LINES ARE AS PER CITY OF MIAMI ATLAS SHEET AND MIAMI-DADE COUNTY PLATS OF RECORD.
- POLE 505 LIES WITHIN THE JURISDICTION MIAMI DADE COUNTY.
- INFORMATION REGARDING STREET JURISDICTION WAS TAKEN FROM MAP ENTITLED : DOWNTOWN MIAMI STREETS BY JURISDICTION PREPARED BY CITY OF MIAMI DATED SEPTEMBER 1, 2015 AND FURNISHED BY THE CLIENT.

SURVEYOR'S CERTIFICATION :

I HEREBY CERTIFY THAT THIS SPECIFIC PURPOSE SURVEY WAS PREPARED UNDER MY DIRECT SUPERVISION AND THAT IT IS TRUE AND CORRECT TO THE BEST OF MY KNOWLEDGE AND BELIEF AND I FURTHER CERTIFY THAT SAID SURVEY IS IN COMPLIANCE WITH THE STANDARDS OF PRACTICE AS SET FORTH BY THE FLORIDA BOARD OF LAND SURVEYORS AND MAPPERS IN CHAPTER 5J-17 FLORIDA ADMINISTRATIVE CODE PURSUANT TO SECTION 472.027 OF THE FLORIDA STATUTES.

 MANUEL G. VERA JR.
 PROFESSIONAL SURVEYOR AND MAPPER No. 5291
 STATE OF FLORIDA
 NOTICE: NOT VALID WITHOUT THE SIGNATURE AND ORIGINAL RAISED SEAL OF THE FLORIDA LICENSED SURVEYOR AND MAPPER.
 EACH SHEET AS INCORPORATED HEREIN SHALL NOT BE CONSIDERED FULL, VALID AND COMPLETE UNLESS ATTACHED TO THE OTHERS.

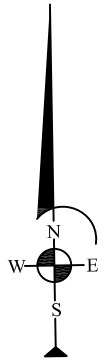
FOR SKETCH SEE SHEET 2

MANUEL G.VERA AND ASSOCIATES, INC.
 ENGINEERS-SURVEYORS & MAPPERS
 13960 S.W. 47th ST. MIAMI, FLORIDA 33175 L.B. No.2439
 PHONE: (305) 221-6210 e-mail: mvera jr@mgvera.com

PROJECT NUMBER: 16-574		
TYPE OF PROJECT: SPECIFIC PURPOSE SURVEY		
PROJECT NAME: POLE LOCATION		
DATE: 08-3-2016	SCALE	SHEET
DRAWN BY: JCF	N.A.	1 OF 2

NOT A BOUNDARY SURVEY

SPECIFIC PURPOSE SURVEY PROPOSED POLE 505



SE 1st AVENUE

SE 1st AVENUE
EXTENDED



ABBREVIATIONS:

SR - STATE ROAD
R/W - RIGHT OF WAY

LEGEND:

- EXISTING RIGHT OF WAY LINE
- - - - MAPPED (ZONED) STREET LINE
- ⊙ CENTER LINE
- M MONUMENT LINE

PROJECT NUMBER: 16-574		
TYPE OF PROJECT: SPECIFIC PURPOSE SURVEY		
PROJECT NAME: POLE LOCATION		
DATE: 08-3-2016	SCALE	SHEET
DRAWN BY: JCF	1"=30'	2 OF 2

MANUEL G.VERA AND ASSOCIATES, INC.
ENGINEERS-SURVEYORS & MAPPERS
13960 S.W. 47th ST. MIAMI, FLORIDA 33175 L.B. No.2439
PHONE: (305) 221-6210 e-mail: mverajr@mgvera.com

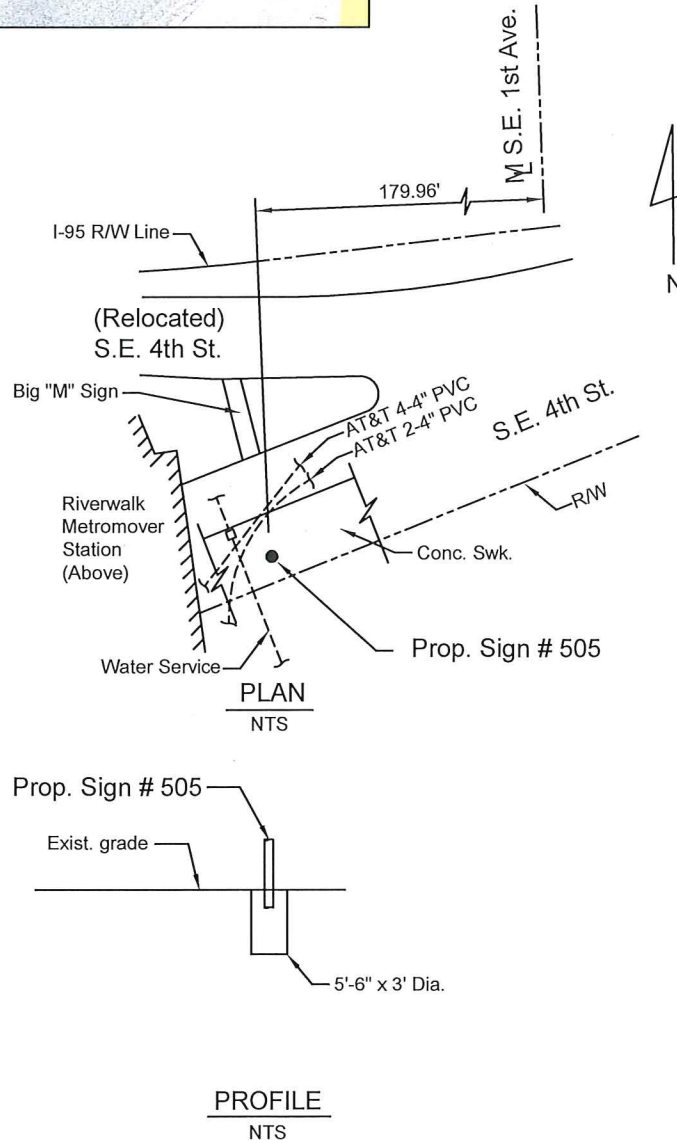
NOT A BOUNDARY SURVEY



LOCATION DESCRIPTION:

SE 4th St @ Riverwalk Station entrance

FOR EXACT SIGN POST LOCATION
PLEASE REFER TO ATTACHED
SPECIFIC PURPOSE SURVEY SKETCH



COMMENTS: Best Footer for Prop. Sign # 505 is: 5'-6" x 3' Dia.

MIAMI DDA - WAYFINDING AND SIGNAGE SYSTEM PROGRAM

DISCLAIMER:

This sketch has been prepared for utility coordination purposes only. This sketch is Not for Construction.

Utility coordination done by:
JRA Inc.
engineers-planners
10661 N Kendall Dr., Ste. 206B
Miami, FL 33176-1550
Phone 305-270-7800
CA 7613

MIAMI-DADE COUNTY

SIGN No. 505

Type Dest. 1

DATE: 04-10-2017