



CITY OF MIAMI
OFFICE OF CAPITAL
IMPROVEMENTS

HADLEY PARK SYNTHETIC TURF AND PARK IMPROVEMENTS
CITY OF MIAMI PROJECT B-173515
1350 NW 50th ST, MIAMI, FL 33142

DETAILS

DATE: 7/19/17
DESIGN: E.G.
DRAWN: P.G.
CHECKED: N.T.A.
REVISIONS:

PERMIT SET 4/30/18
06.29.18 BLDG. DEPT. PERMIT
COMMENTS

JOB No. 17-00058
FILE:

ARCHITECT/ENGINEER:

NORMA T. ALVAREZ, P.E.
FL. REG. 10612
SEAL

SCALE: AS SHOWN

SHEET No.

C-5.4

OF SHEETS

Firm Name and Address
Shade systems
4150 S.W. 19 Street
Ocala, FL 34474
Tel.: 1-800-609-6066

Hadley Park
1350 NW 50th St.
Miami, FL 33142

Approved:

Model Name:
SINGLE CANTILEVER
SHADE SYSTEM STRUCTURE
Model No.:
SC153010

Revisions	

REP. QTE. NO.
QQJP082218-A

Approved: JRB Job: 6248
Checked: MG
Drawn: RB
Date: 09/04/2018 Sheets: 1 OF 1
NOT TO SCALE

GENERAL NOTES

1- THE SHADE SYSTEMS, INC.™ STRUCTURE HAS BEEN DESIGNED IN ACCORDANCE WITH THE 2017 FLORIDA BUILDING CODE 6TH EDITION AND ASCE 7-10 TO THE FOLLOWING DESIGN CRITERIA:
RISK CATEGORY: STRUCTURE WITH FABRIC CANOPY REMOVED
EXPOSURE: C
BASIC WIND SPEED: 165 MPH

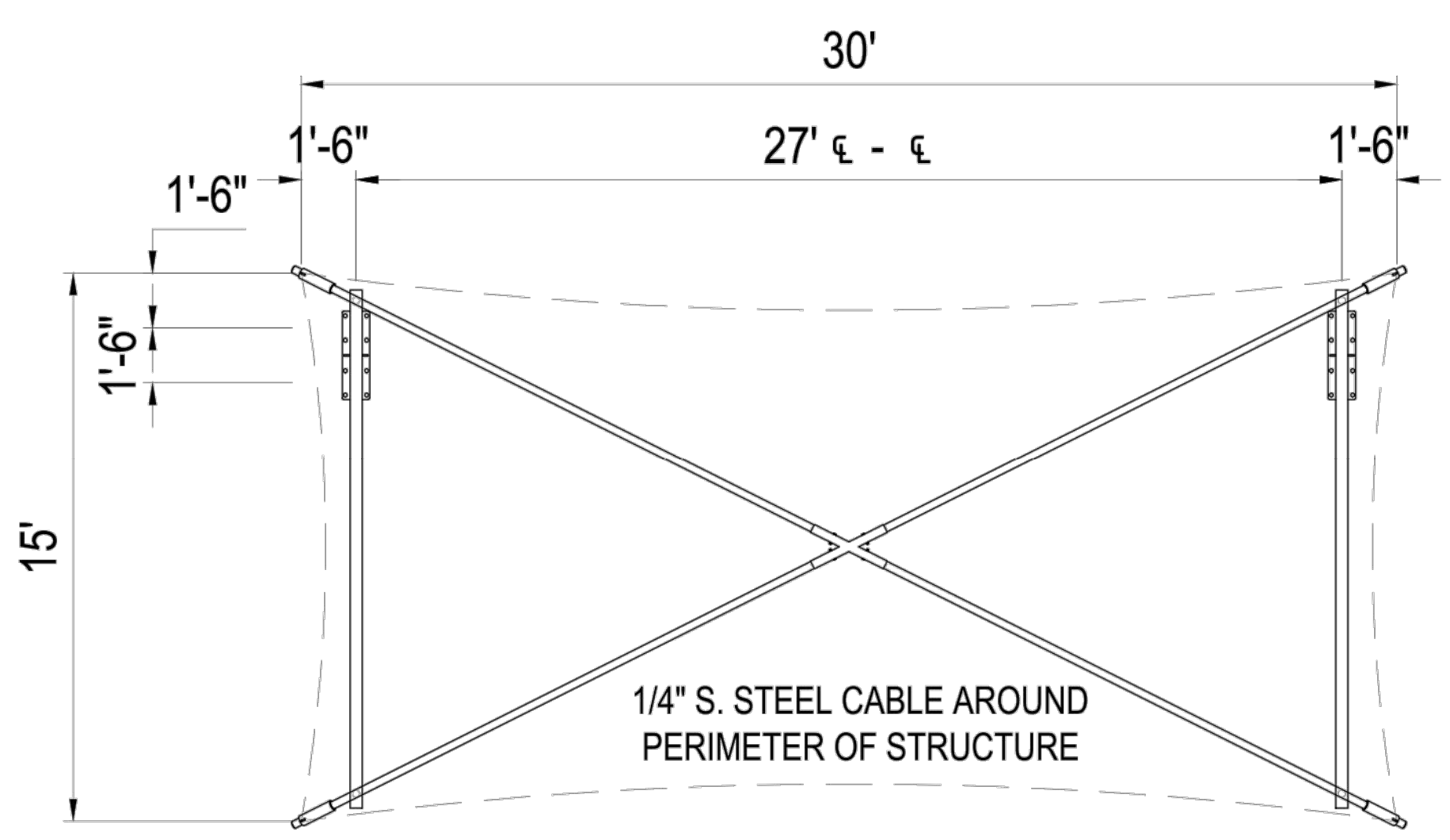
2- THE FOUNDATION ASSUMES A MINIMUM SOIL BEARING CAPACITY OF 1700 PSF.
3- ALL FASTENERS SHALL BE STAINLESS STEEL.
4- THE STRUCTURE HAS BEEN DESIGNED IN ACCORDANCE WITH SECTION 3105.4 OF THE FLORIDA BUILDING CODE GOVERNING THE DESIGN OF FABRIC-COVERED FRAMES. THIS SECTION REQUIRES THAT THE FRAMING MEMBERS BE DESIGNED FOR A WIND VELOCITY OF NOT LESS THAN 105 MPH WITH THE FABRIC ATTACHED. THIS FABRIC SYSTEM IS DESIGNED TO RELEASE WHEN WIND SPEED EXCEEDS 90 MPH.

STEEL:
1- STEEL PIPES SHALL HAVE A MINIMUM YIELD STRENGTH OF 45 KSI. STEEL PLATES SHALL CONFORM TO ASTM A36
2- ALL PARTS SHALL BE FACTORY-WELDED TO AMERICAN WELDING SOCIETY (AWS) SPECIFICATIONS AND SHALL UTILIZE E70-56 AND HAVE THE HIGHEST STANDARDS OF QUALITY WORKMANSHIP.
3- ALL WELDS SHALL BE FILLET WELDS WITH MAXIMUM PERMISSIBLE THROAT THICKNESS OR FULL PENETRATION GROOVE WELDS.

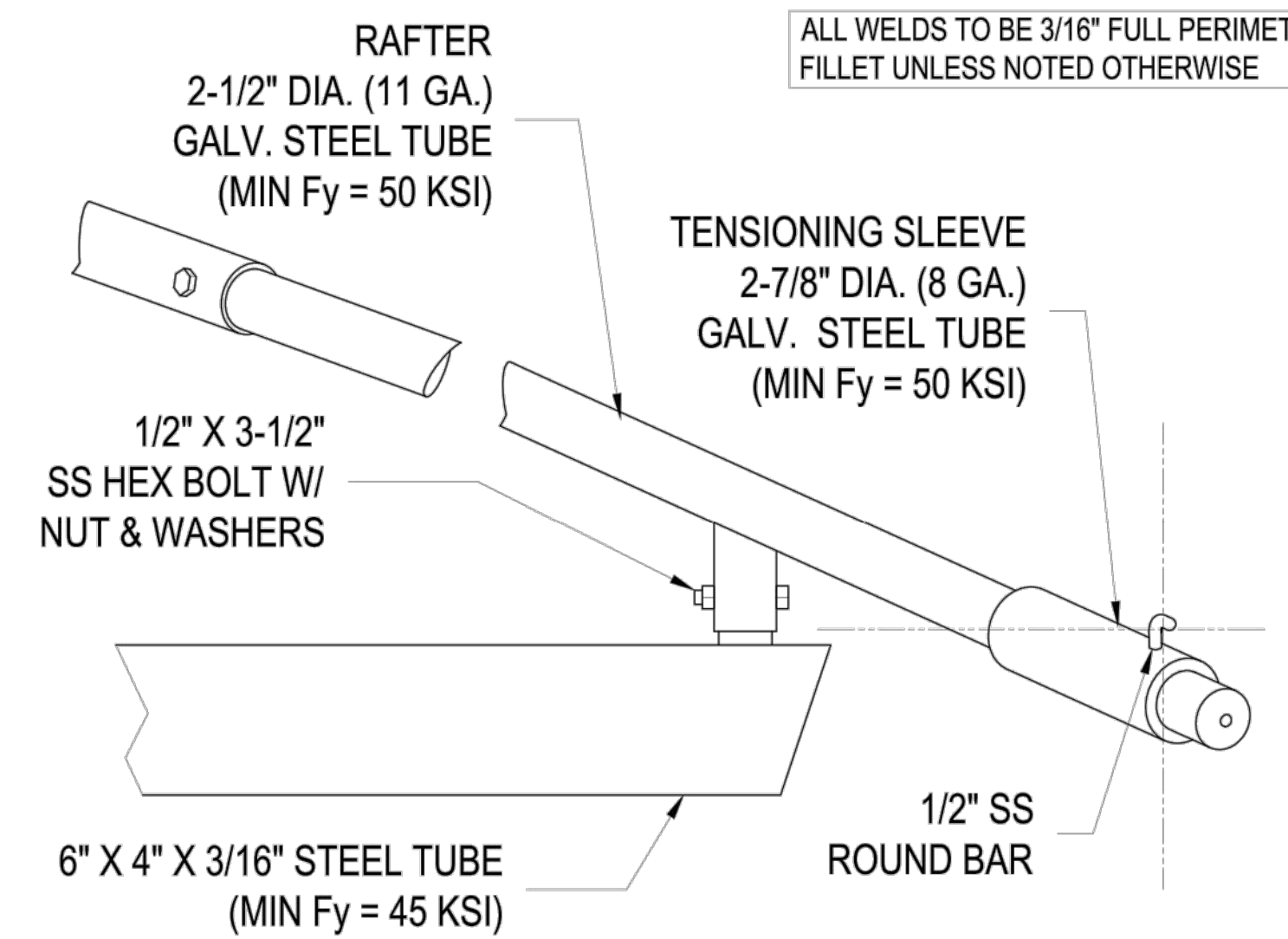
CONCRETE:
1- ALL CONCRETE SHALL BE MIXED AND PLACED IN ACCORDANCE WITH THE LATEST EDITION OF ACI 301 AND 318.
2- CONCRETE SHALL HAVE A MINIMUM 28 DAY COMPRESSIVE STRENGTH (f_c) OF 3000 PSI. A CONCRETE MIX HAVING A LISTED STRENGTH OF AT LEAST 3000 PSI THAT IS MIXED IN ACCORDANCE WITH THE MANUFACTURER'S RECOMMENDATIONS IS ACCEPTABLE FOR USE.
3- REINFORCING STEEL SHALL BE ASTM A-615 GRADE 60 WITH A MINIMUM YIELD STRENGTH (f_y) OF 60 KSI.
4- UNLESS OTHERWISE SHOWN, CONCRETE COVER SHALL BE 3" (MIN).

FABRIC:
1- KNITTED HDPE FABRIC HAS A SIEVE FACTOR OF 64%
THIS DOCUMENT AND ITS CONTENTS ARE THE PROPERTY OF SHADE SYSTEMS, INC. AND CANNOT BE MODIFIED, USED, OR RESOLD TO ANY PERSON OR ENTITY WITHOUT WRITTEN PERMISSION FROM SHADE SYSTEMS, INC. REPRODUCTION OF THESE PLANS, EITHER IN WHOLE OR IN PART, INCLUDING ANY FORM OF COPYING AND/OR PREPARATION OF DERIVATIVE WORKS THEREOF, FOR ANY REASON WITHOUT PRIOR WRITTEN PERMISSION FROM SHADE SYSTEMS, INC. IS STRICTLY PROHIBITED.
© 2018 SHADE SYSTEMS INC.

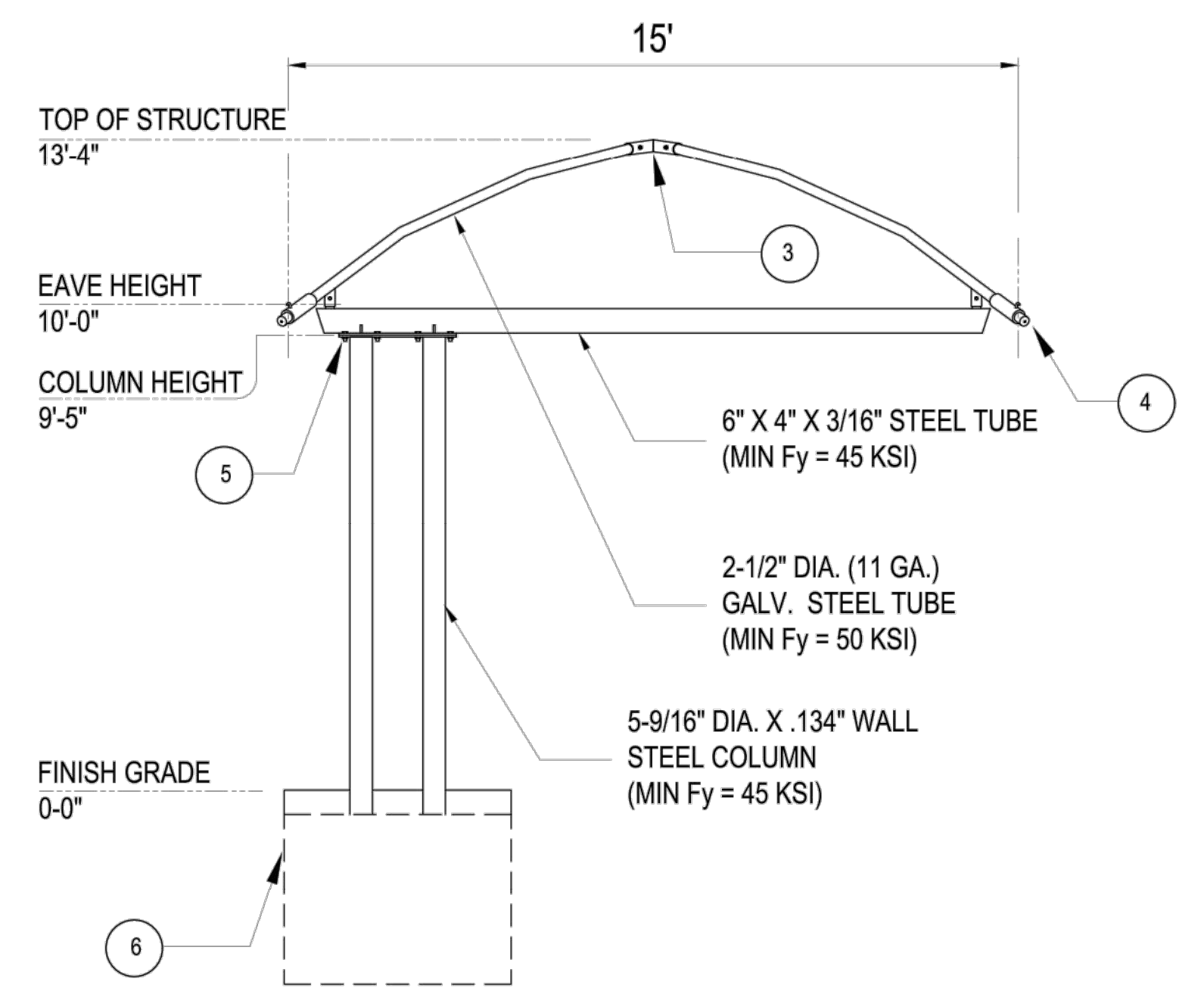
NOTE TO OWNER:
OWNER ACCEPTS FULL RESPONSIBILITY FOR REMOVING THE FABRIC SHADE MATERIAL FROM THE STEEL FRAME WHEN SEVERE WEATHER CONDITIONS ARE PREDICTED. SUCH CONDITIONS INCLUDE PREDICTED WIND SPEEDS IN EXCESS OF 90 MPH.



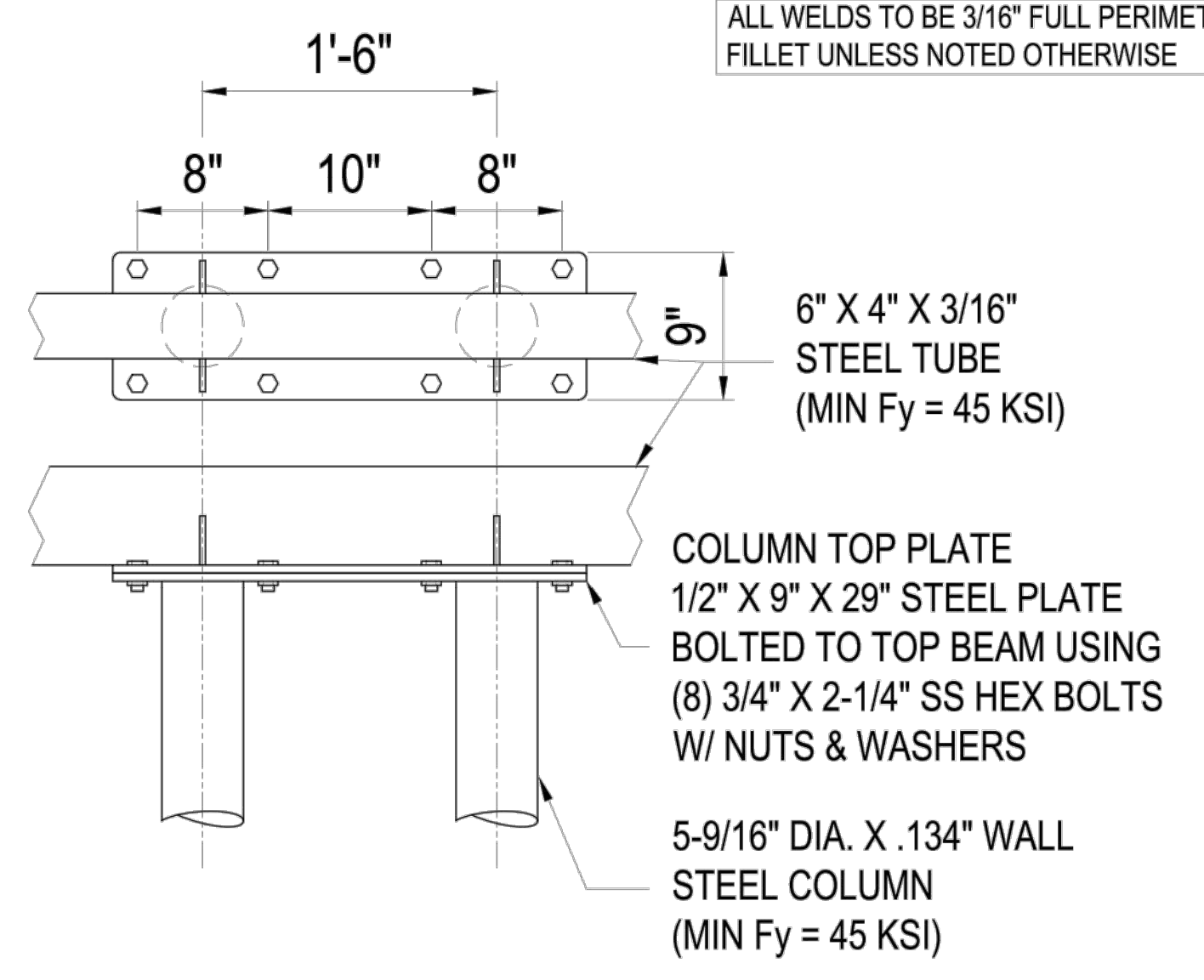
1 PLAN VIEW



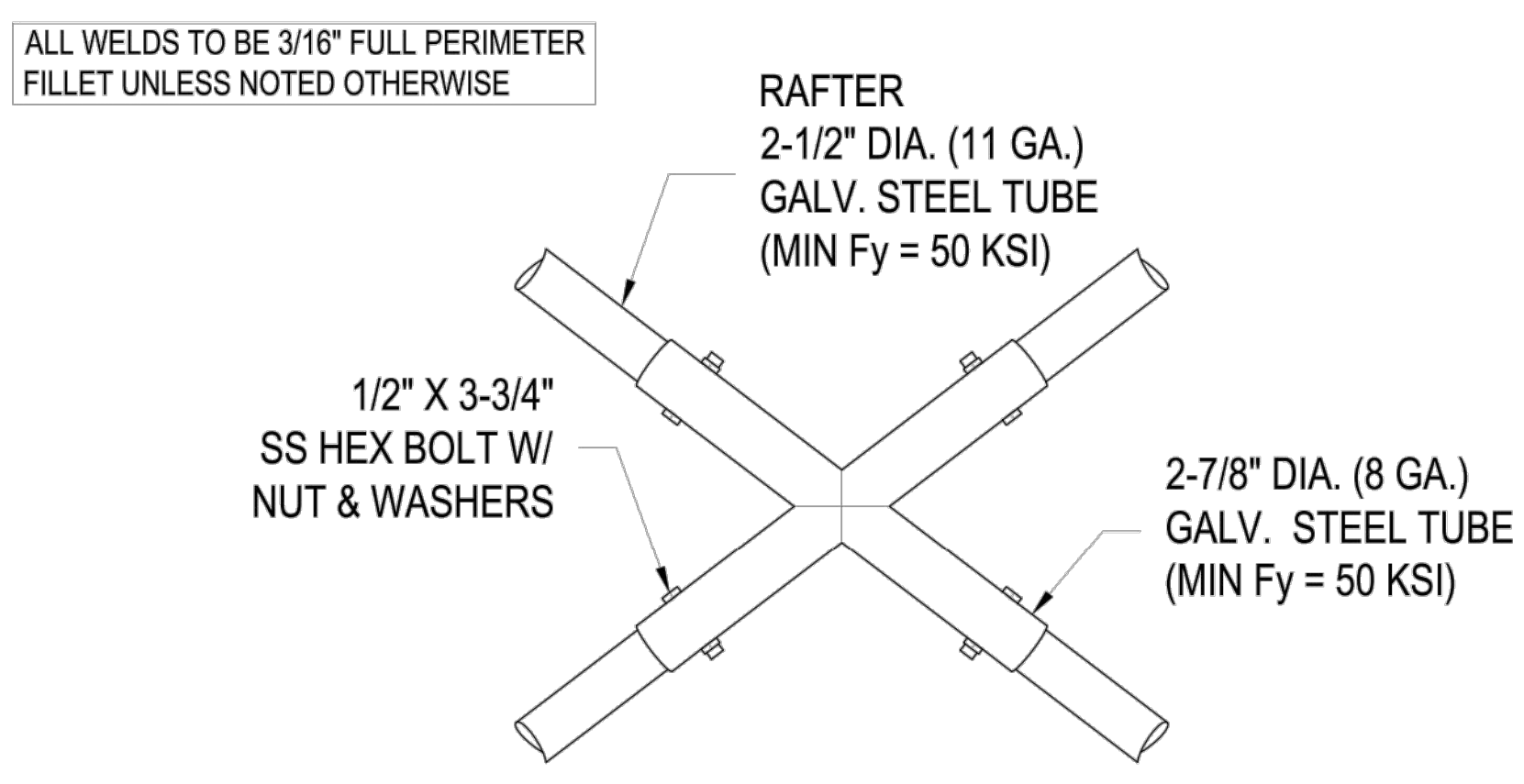
4 RAFTER-BEAM CONNECTION DETAIL



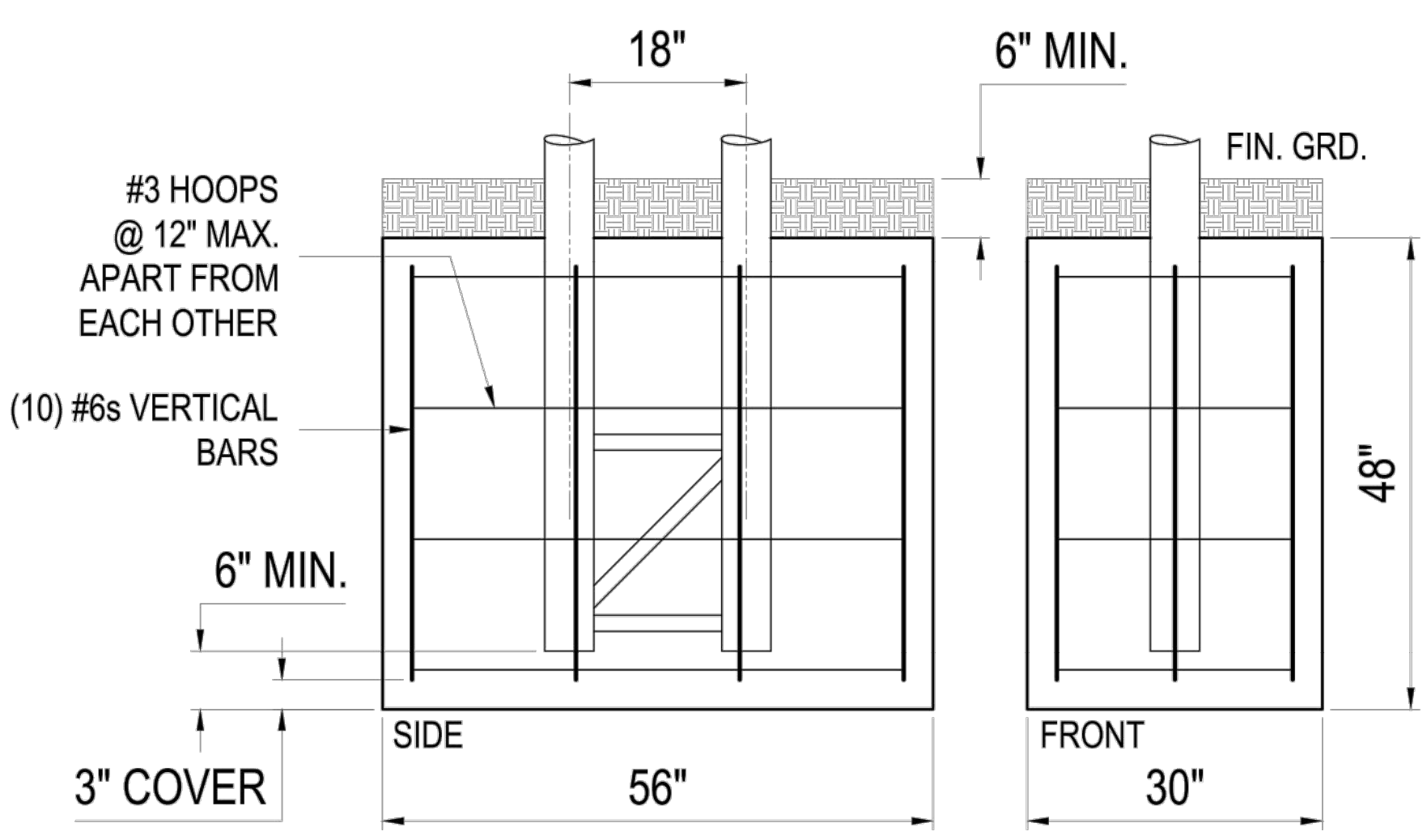
2 ELEVATION VIEW



5 BEAM-COLUMN CONNECTION DETAIL



3 CENTER CONNECTOR



6 FOOTING DETAIL
NOTE: HOOPS & REBARS NOT SUPPLIED BY FACTORY

ALL WELDS TO BE 3/16" FULL PERIMETER FILLET UNLESS NOTED OTHERWISE

V:\PROJECTS\2017\17-00058 - HADLEY PARK SYNTHETIC TURF & PARK IMPROVEMENTS\17-00058_BLDG.DWG 2018/10/05 10:13 BY ECOMEZ